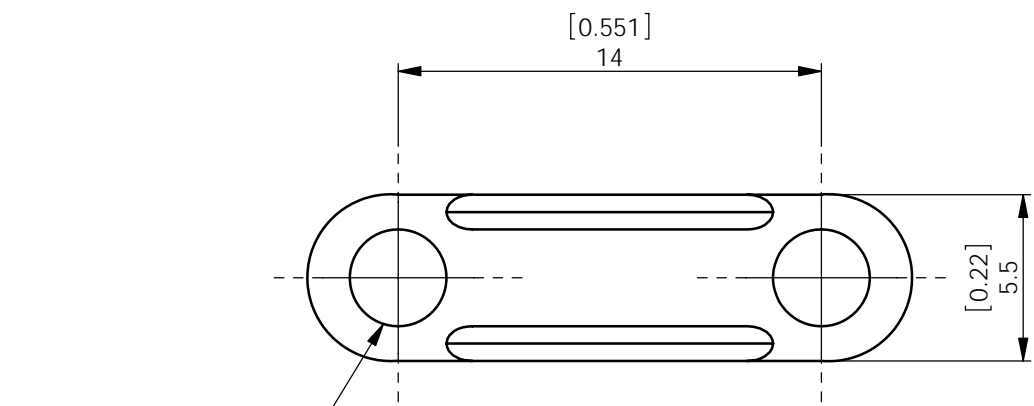
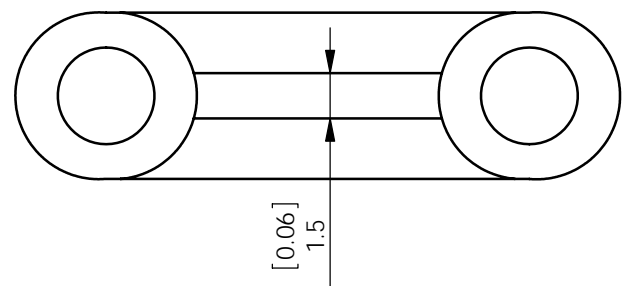
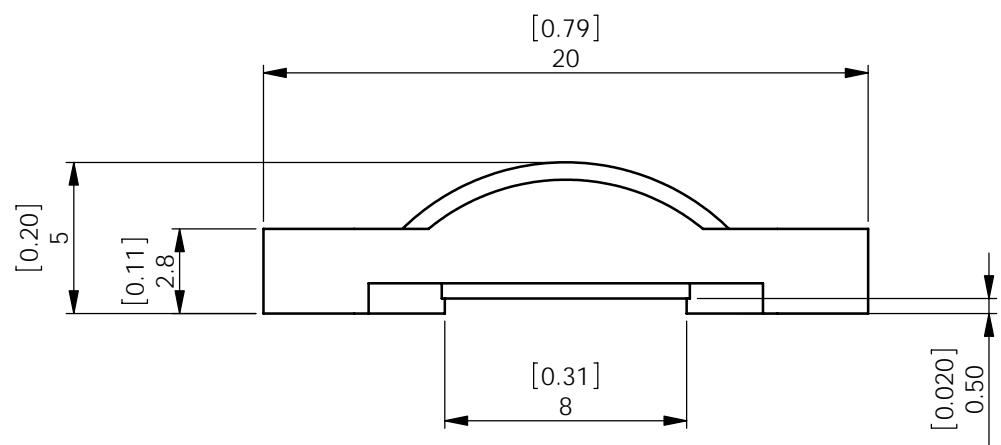


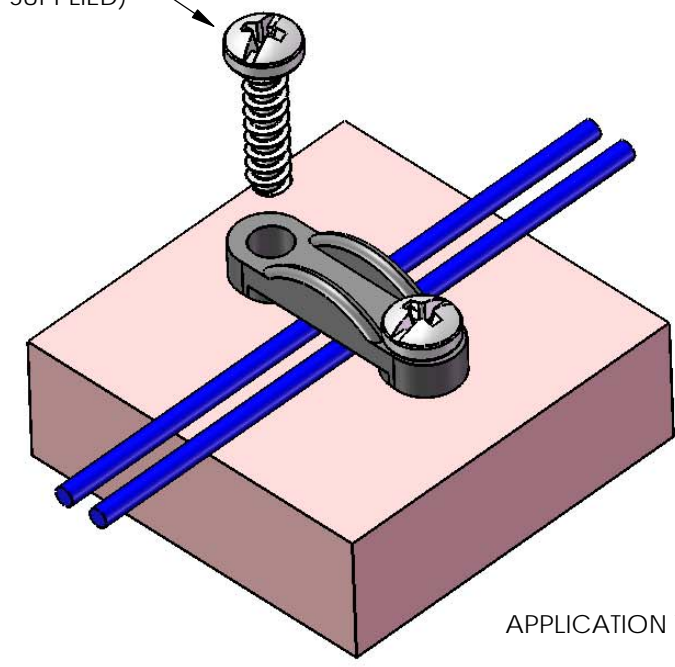
| REV. | MODIFICATION. | DATE | DRN |
|------|---------------|----------|-----|
| 02 | ECN 2008-022 | 04/02/08 | TC |



FIXING HOLES -
DIAMETER 3.20 [0.126]



TO ACCOMMODATE
2x M3 [#3] FLAT HEAD
SCREWS (NOT SUPPLIED)



APPLICATION VIEW

INFORMATION CONTAINED IN THIS DOCUMENT IS CONFIDENTIAL TO RICHCO INTERNATIONAL Co. Ltd. AND MAY NOT BE DISCLOSED OR REPRODUCED IN WHOLE OR PART WITHOUT THEIR WRITTEN CONSENT.

| | | |
|--|--|--------------------|
| | ALL DIMENSIONS IN mm & [INCH] GENERAL TOLERANCES ±0.25 [.010] UNLESS OTHERWISE STATED 1 DECIMAL PLACE ±0.25 [.010] 2 DECIMAL PLACES ± 0.10 [.004] ANGULAR ±1° | THIRD ANGLE |
| | | |

| | |
|--|------------------|
| MATERIAL: NYLON 6/6 UL94 V-2 (RMS-01) | COLOUR: BLACK |
|--|------------------|

| | |
|------------------------------|--------------------|
| DESCRIPTION: NPR 2004-448 | PART No: SRCC-2 |
|------------------------------|--------------------|

| | | | |
|-------------------|---------------------|------------------|------------------|
| DRG No: 05-104 | NPR No: 2004-448 | Mass:(g) 0.35 | SHEET SIZE A4 |
|-------------------|---------------------|------------------|------------------|

| | | | | | |
|------------|------------------|-------------|------------------|--------------|---------------------|
| DRN NJB | DATE 05/01/05 | CHKD NBR | DATE 05/01/05 | SCALE NTS | SHEET No. 1 OF 1 |
|------------|------------------|-------------|------------------|--------------|---------------------|