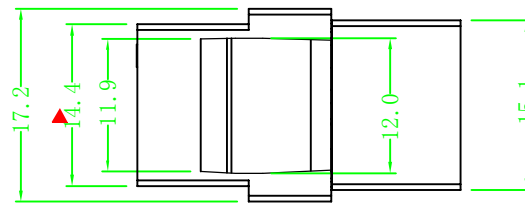
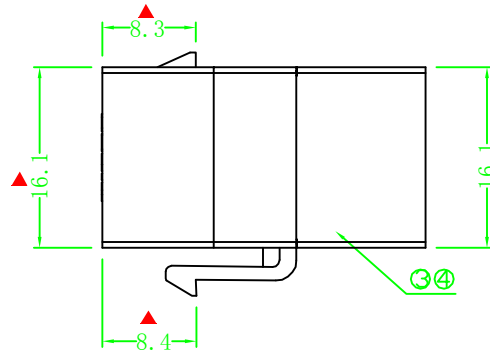
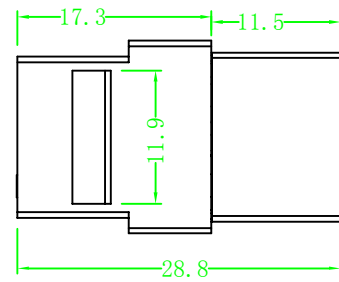
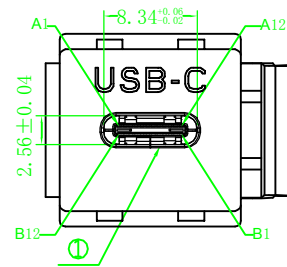
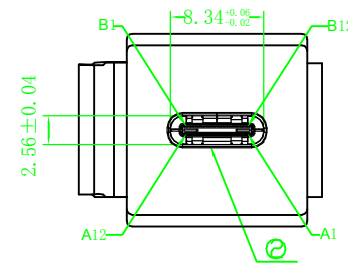


包装

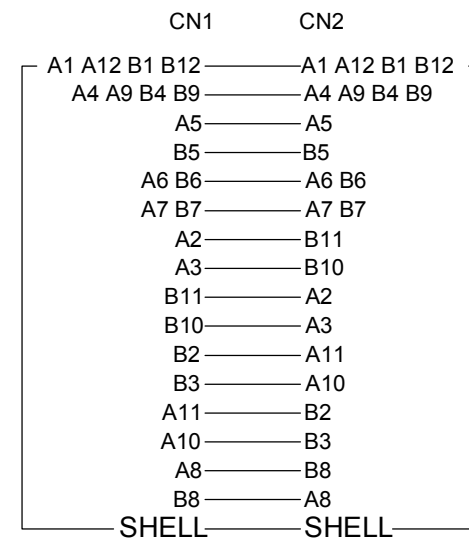
CN1



CN2



PIN ASSIGNMENT:



5		
4		
3		
2		
1		
NO.	Material	Description

<b>USB C Female to C Female Keystone Coupler</b>	
Code: <b>KCUCCBK</b>	
Date: 2018.01.25	Drawing NO.:
Page: 1/1	Drawn BY: CLR
REV: A	Check BY: DYH
Unit: mm	Appd BY: