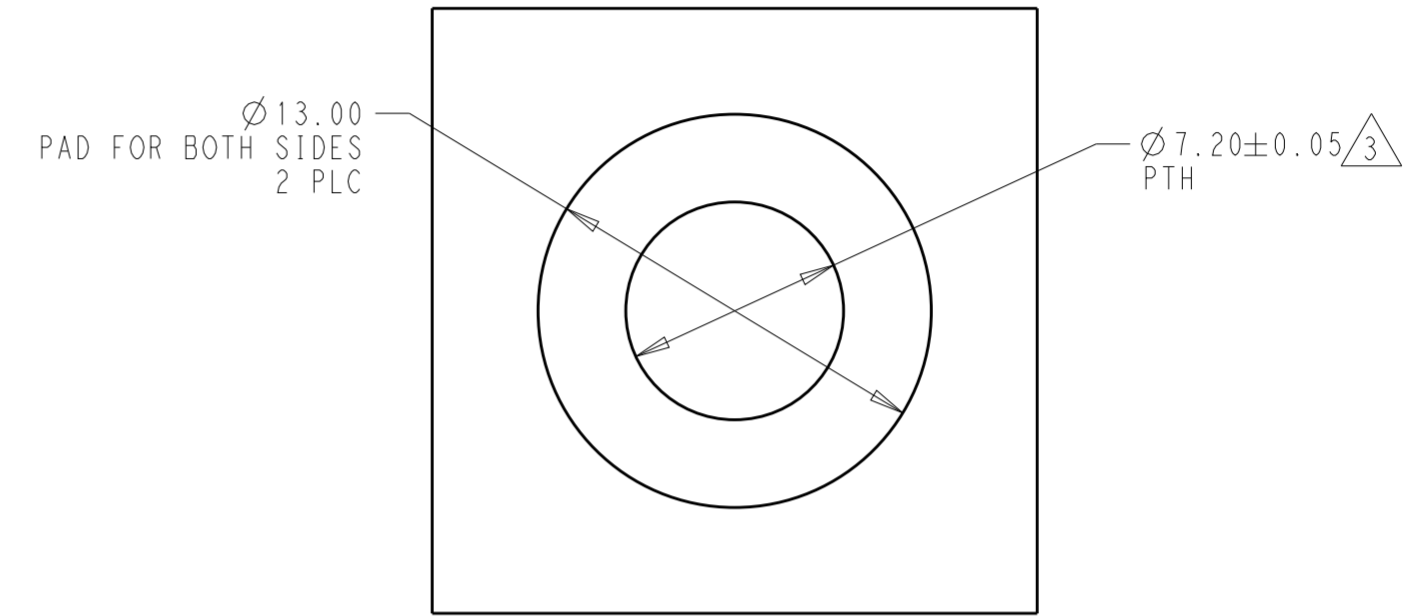
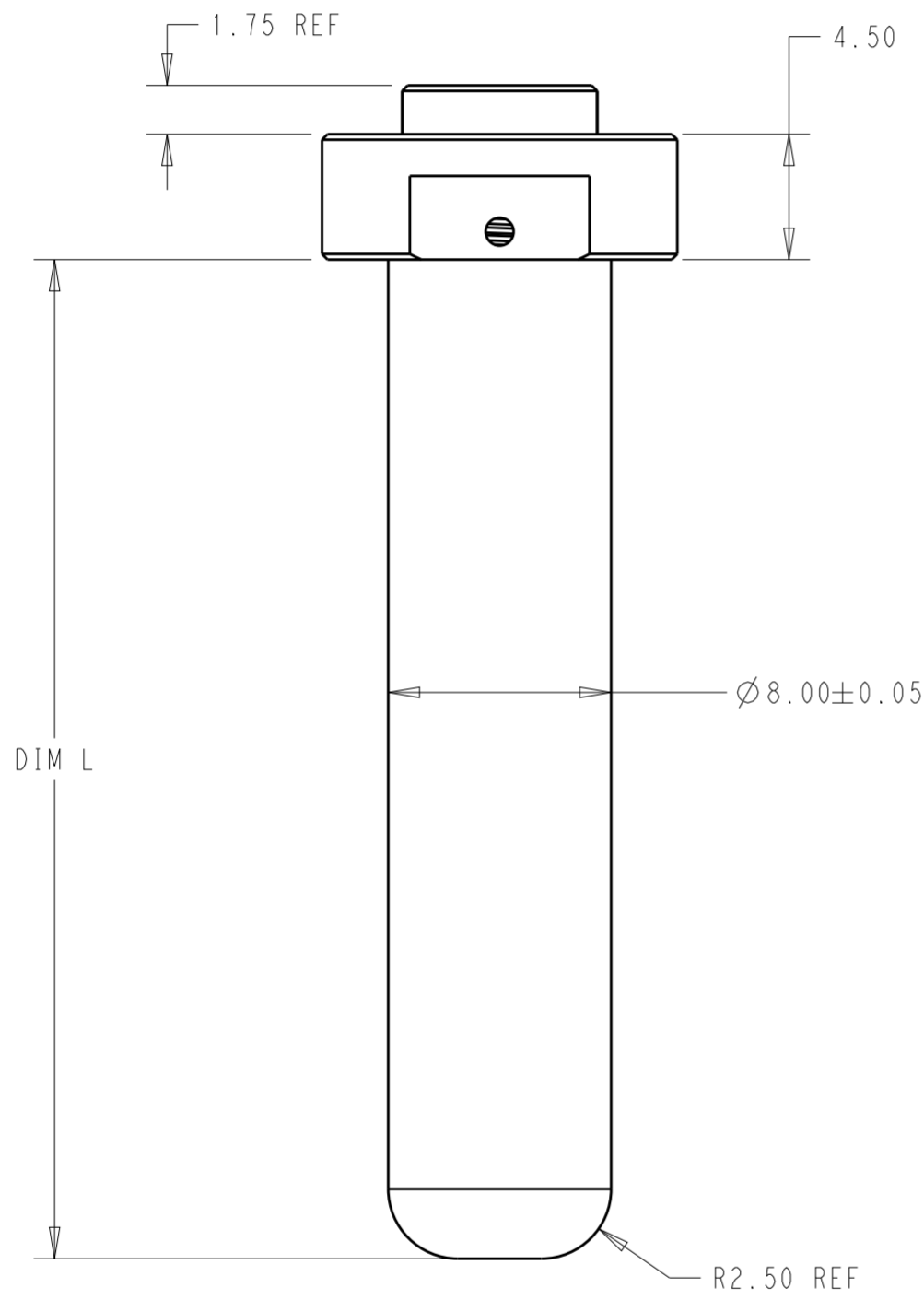
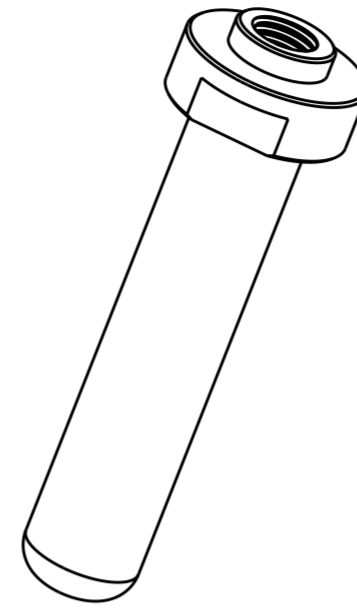
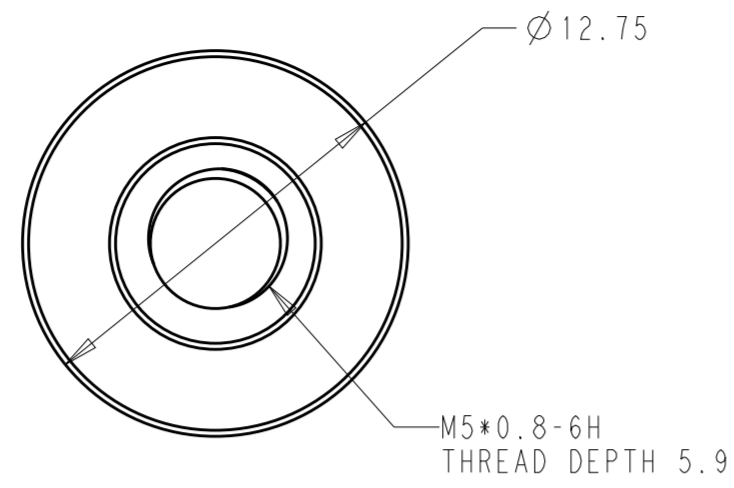
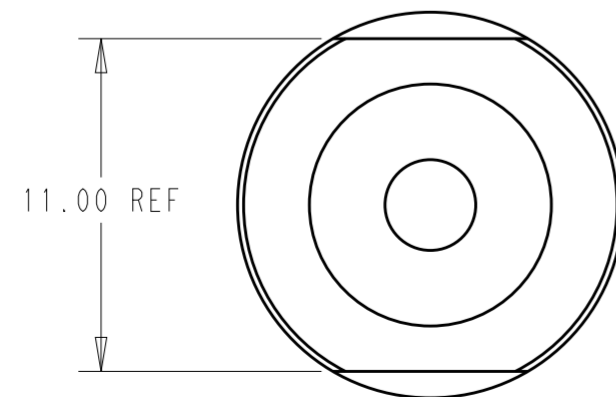


P	LTR	DESCRIPTION	DATE	DWN	APVD
	A	RELEASE	13OCT2020	AL	SZ



RECOMMENDED BUS BAR LAYOUT
RECOMMENDED THICKNESS: 2mm



NOTES:

- 1 MATERIAL: COPPER ALLOY
- 2 FINISH: SILVER PLAING.
- 3 RECOMMENDED DRILL HOLE SIZE: $\varnothing 7.30\text{mm}$

81.00	2361493-9
31.15	2361493-8
73.85	2361493-7
27.25	2361493-6
56.55	2361493-5
35.00	2361493-4
26.00	2361493-3
26.15	2361493-2
35.85	2361493-1
DIM L	PART NUMBER

THIS DRAWING IS A CONTROLLED DOCUMENT.		DWN ANDY LI 16AUG2019	TE Connectivity	
DIMENSIONS: mm		CHK -		
TOLERANCES UNLESS OTHERWISE SPECIFIED:		APVD SUNY ZHAO 16AUG2019	NAME PIN SIZE 8.0mm, PIN FLOATING ICCON INSERT	
0 PLC ± 1 PLC ±0.30 2 PLC ±0.20 3 PLC ±0.10 4 PLC ±0.0001 ANGLES ± FINISH		PRODUCT SPEC 108-128111	RESTRICTED TO -	
MATERIAL 1		APPLICATION SPEC 114-128112	SIZE A2	CAGE CODE 00779
FINISH 2		WEIGHT -	DRAWING NO C-2361493	SCALE 4:1
		CUSTOMER DRAWING	SHEET 1	OF 1
			REV A	