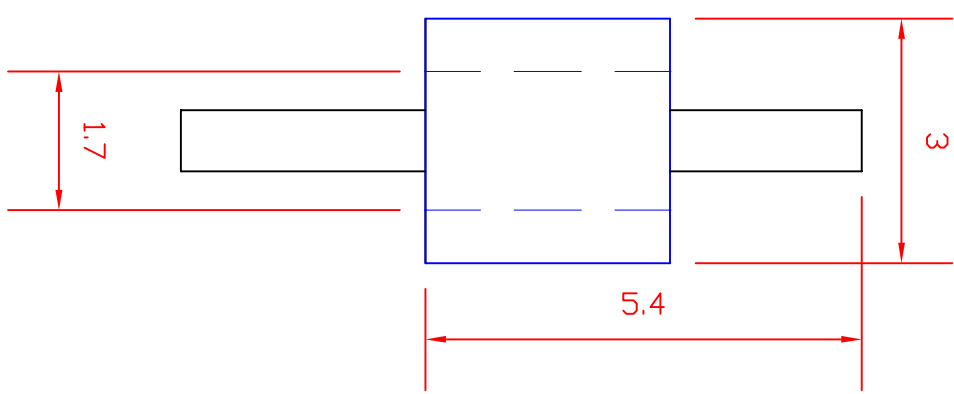
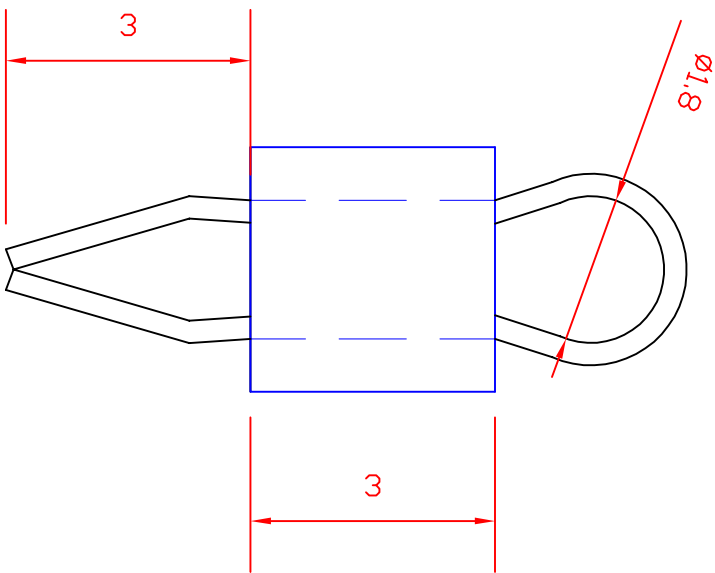
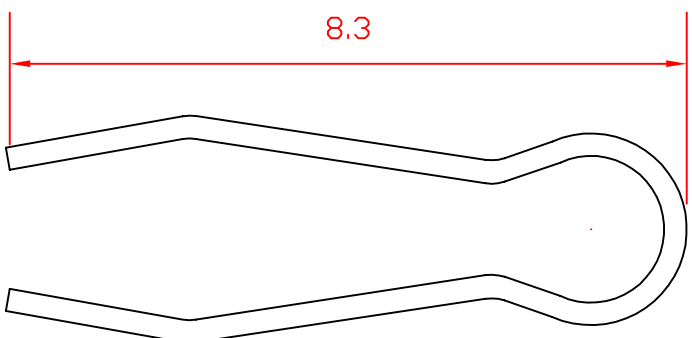


Test Points
1.3mm hole

for pcb thickness of 1.6mm



Part Numbers	
20-2136	Black
20-313141	Red
20-313142	Green
20-313143	White
20-313144	Yellow
20-313150	Blue
20-313155	Pink
20-313156	Brown

Material:
Wire Form : Phosphor Bronze BS2873, PB102,
Plating 5 microns Sn over copper flash

Recommended Hole size:-
1.3mm +/-0.1mm

Bead : Boro Silicate Sintered Glass
ROHS and REACH compliant

Test Points with Hole size 1.0mm
are also available

Dimensions in mm



VERO TECHNOLOGIES Ltd
Unit 25, Solent Ind. Est.,
Hedge End, Southampton,
Hants, SO30 2FY, UK
Tel +44 (0) 1489 776 930
B7A

PROJECTION
MATERIAL
189-311698 WIRE

TITLE
1.32MM TERMINAL ASSEMBLY
FINISH

CHECKED	DRG ISSUE	DRG No	DATE
TLB	1	Released for Manufacturing	1.1.2016

ALL DIMENSIONS IN MILLIMETRES
www.verotl.com
311701