

8 7 6 5 4 3 2 1

D

D

C

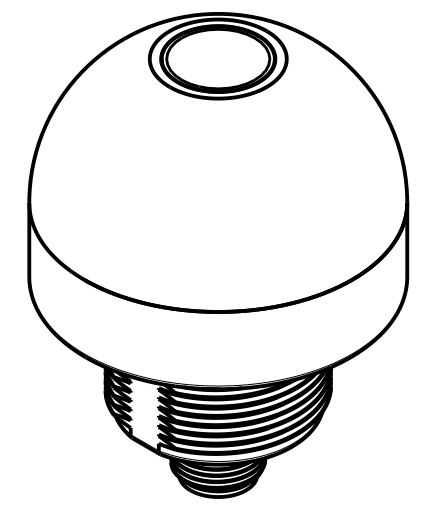
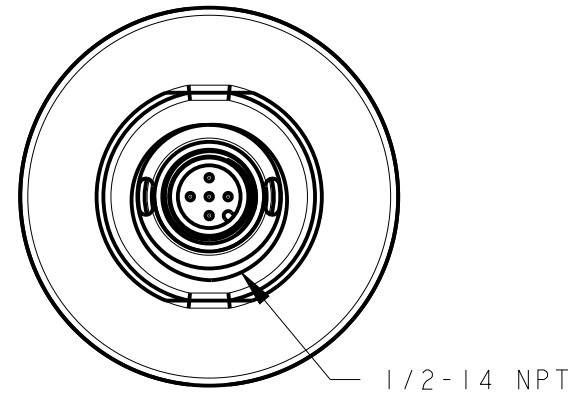
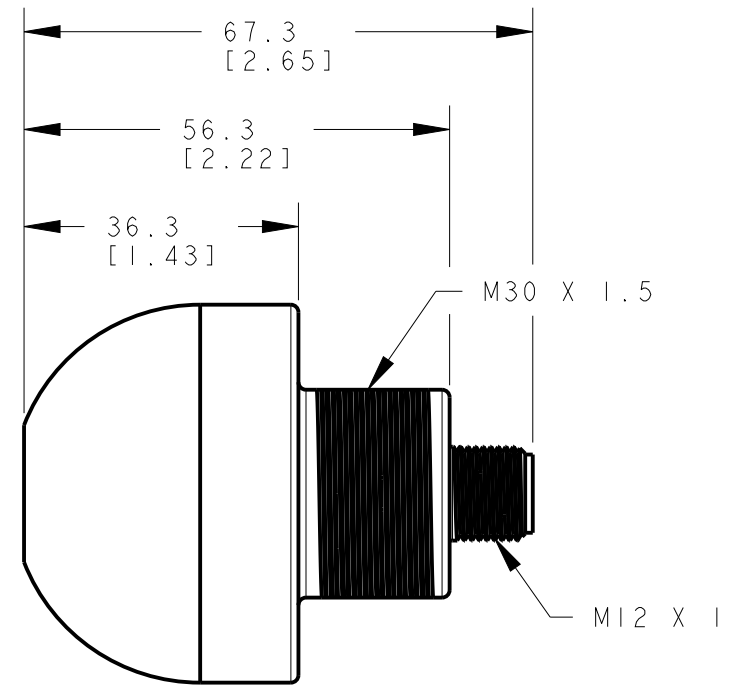
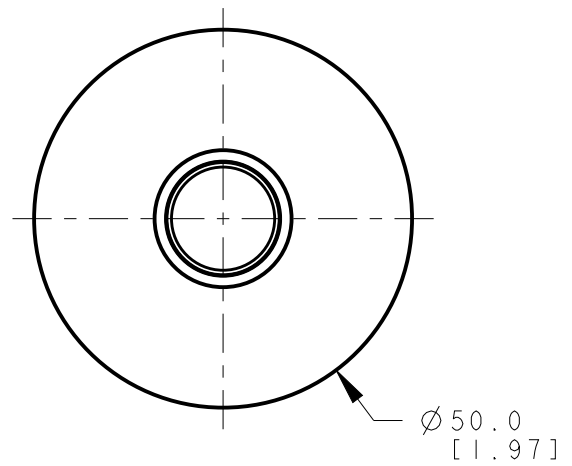
C

B

B

A

A



ISOMETRIC VIEW
SCALE 1:1

This drawing is the property of BANNER ENGINEERING CORP. Any use or reproduction, in any form, without prior written permission of Banner is prohibited. © 2015 Banner Engineering Corp.

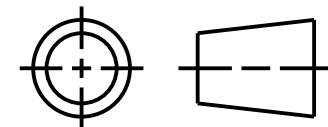
BANNER BANNER ENGINEERING CORP.
www.bannerengineering.com

TITLE
K50P OPTICAL QD

SIZE B	DRAWING NO. 212846	REV. A
-----------	------------------------------	------------------

SCALE 1:1 SHEET 1 OF 1

THIRD ANGLE PROJECTION



NOTES:
1. ALL DIMENSIONS ARE MILLIMETERS [INCHES] UNLESS OTHERWISE NOTED.
2. REFER TO "www.bannerengineering.com" FOR ADDITIONAL DATA AND SPECIFICATIONS.

8 7 6 5 4 3 2 1 CREO