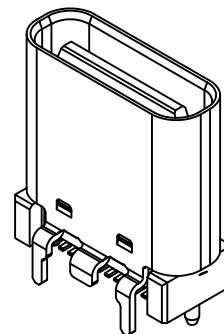


Section: A-A



Specifications

Material

Insulator: LCP, UL 94V-0, Black
 Contact: Copper Alloy (C1814), T=0.12mm
 Mid Plate: Stainless Steel (SUS301), T=0.15mm
 EMI Plate: Stainless Steel (SUS301), T=0.10mm
 Shell: Stainless Steel (SUS304), T=0.30mm

Plating

Contact
 Contact Area: 3u" Au over 50µ" min. Nickel
 Solder Tails: Matte Tin over 50µ" min. Nickel
 Shell: 30µ" min. Nickel

Electrical

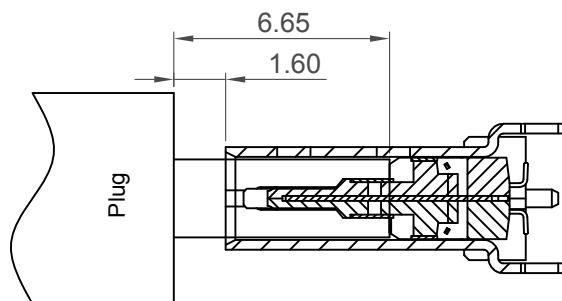
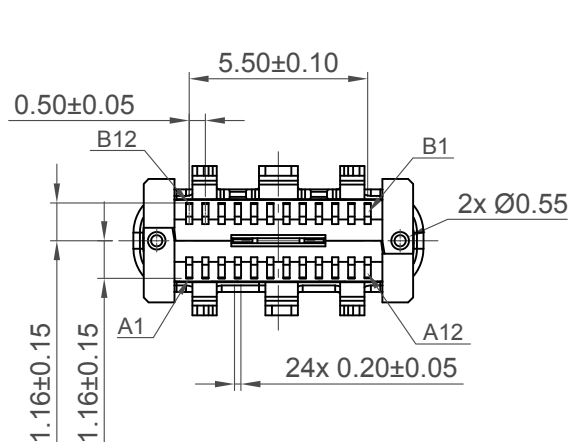
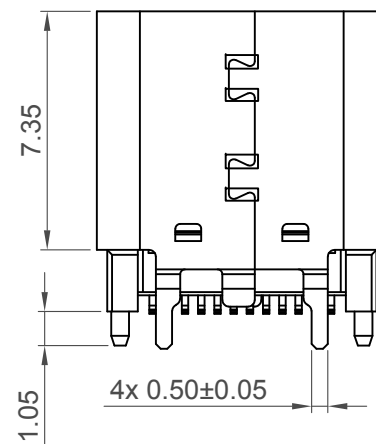
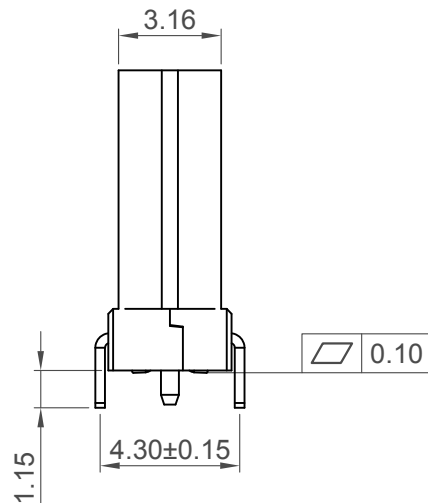
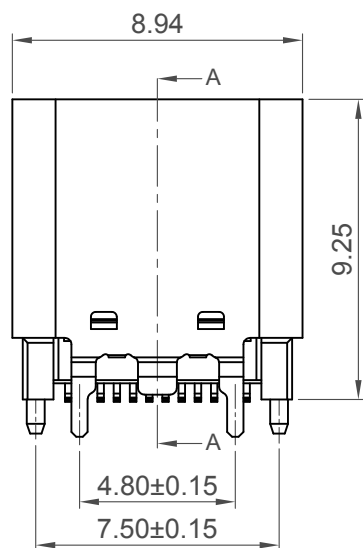
Current Rating: 5.00A collectively for Vbus pins
 6.25A collectively for GND pins
 1.25A for B5 pin
 0.25A per pin for all other pins

Voltage Rating: 20V DC
 Contact Resistance: 40mΩ max initial.
 50mΩ max after test

Dielectric Withstanding Voltage: 100V AC
 Insulation Resistance 100MΩ min

Mechanical & Environmental

Operating Temperature: -25°C to +85°C
 Mating Force: 5 to 20 N.
 Unmated Force: 6 to 20 N after test
 Durability: 10,000 cycles



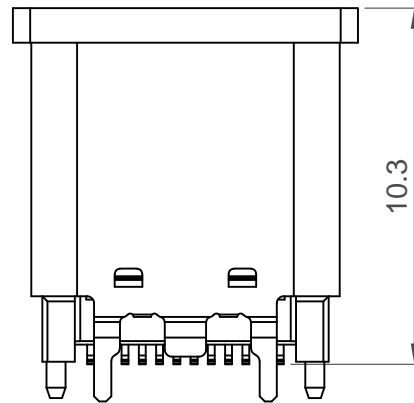
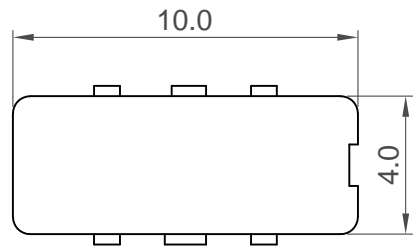
Mating View

Ordering Grid

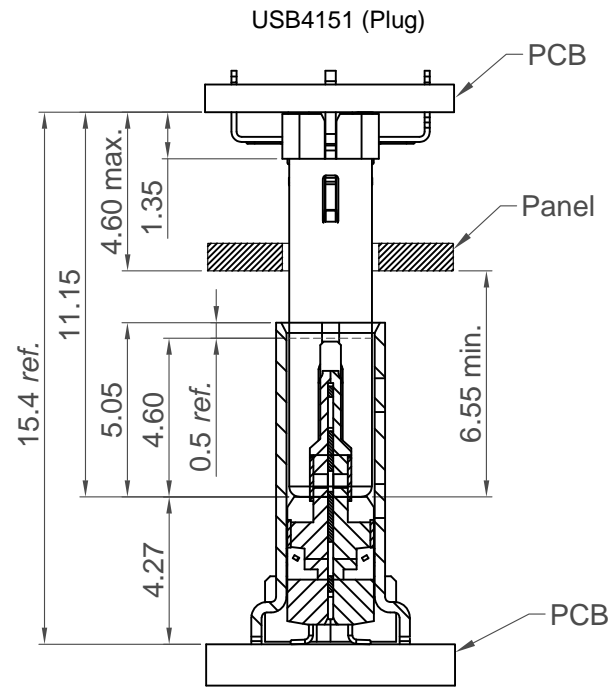
USB4115 - 03 - C Request Samples and Quotation

Contact Plating: 03 = 3u" Gold Packing Options: C = Tape & Reel with Cap (270 per reel)

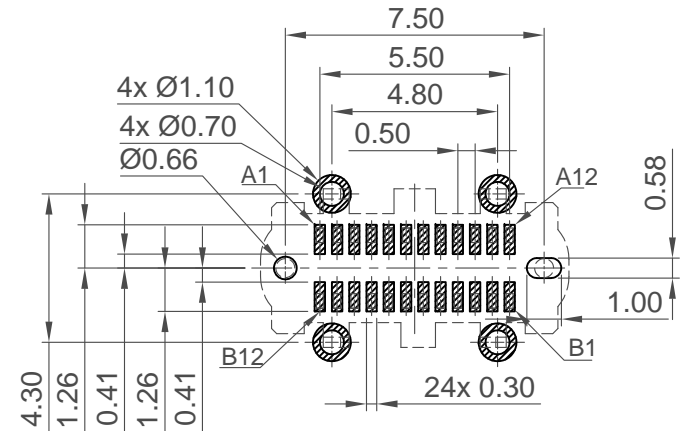
Part Number		Product Description			www.gct.co
USB4115		USB Type C Receptacle, Vertical, SMT, H=9.25mm			
Drawing Date		28th September 2020			
By	CC	Tolerances (Except as Noted)	Units:		This drawing is confidential and copyright of Global Connector Technology, Ltd (GCT). This drawing must not be copied or disclosed without written consent. E & OE
Detail	Drawing Release	X.X ± 0.30	Metric (mm)		
Revision	A	X.XX ± 0.25			
Date	28/09/20	X.XXX ± 0.10			
Not to Scale		Drawn By	CC	Sheet No. 1/3	



Cap Information



USB4115 (Receptacle)
Plug and Receptacle Mating View

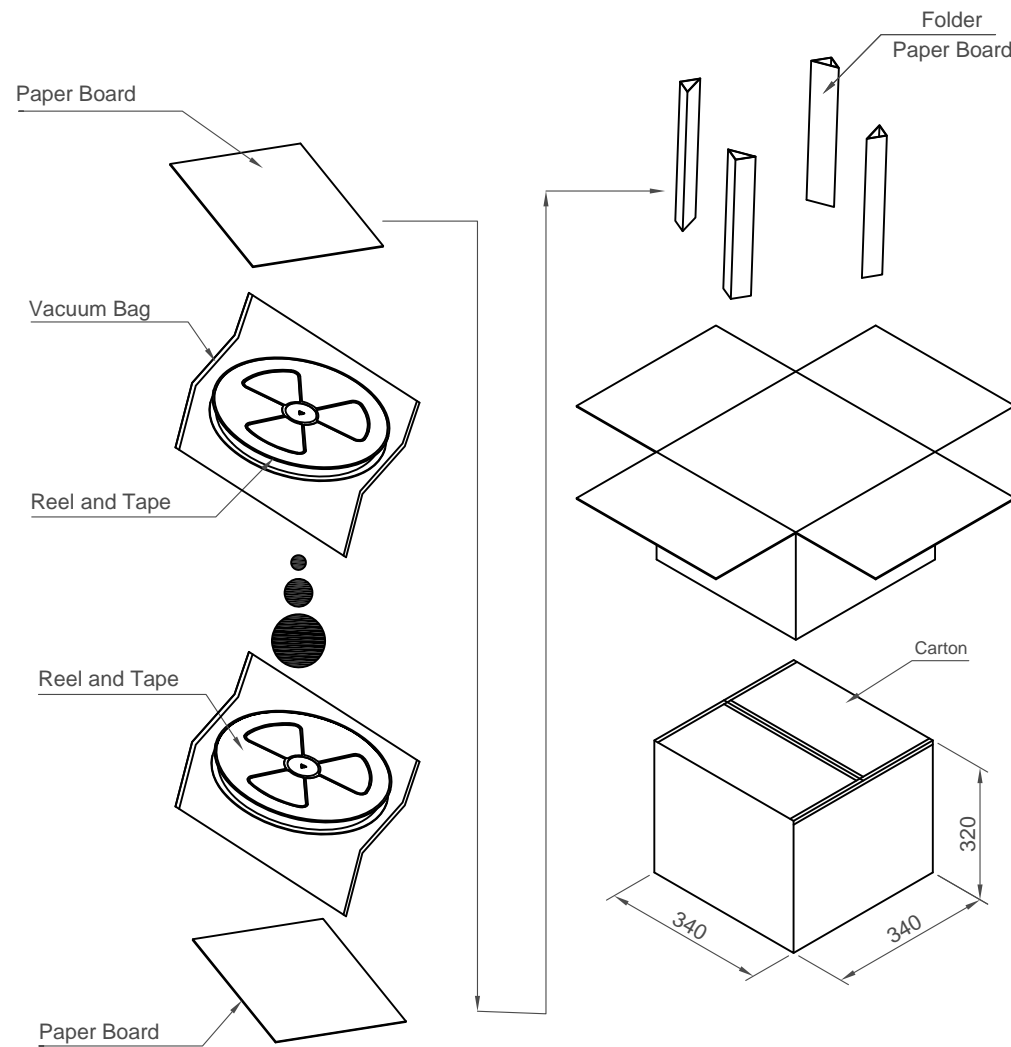
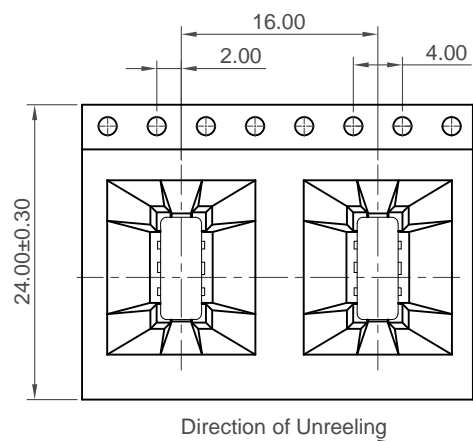
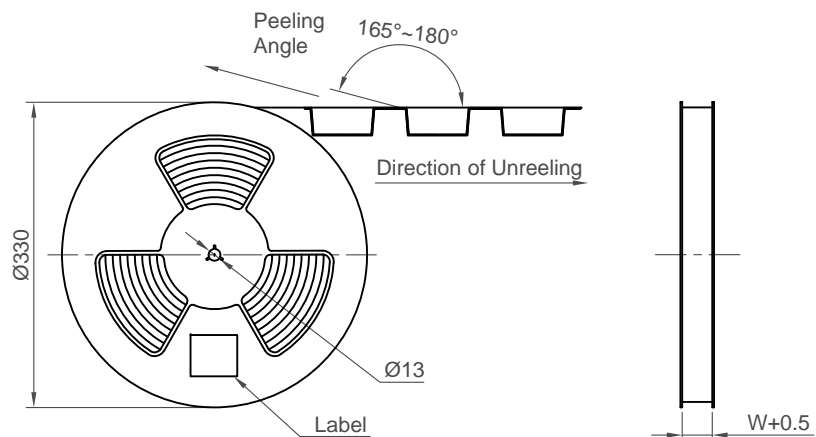
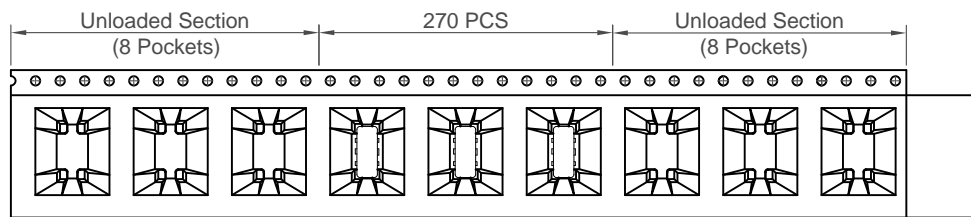


Recommended PCB Layout
Thickness 1.20±0.10mm
Tolerance: ±0.05mm

■ Solder Area □ Component Outline

Pin	Signal	Mating Sequence	Pin	Signal	Mating Sequence
A1	GND	First	B12	GND	First
A2	SSTXp1	Second	B11	SSRXp1	Second
A3	SSTXn1	Second	B10	SSRXn1	Second
A4	Vbus	First	B9	Vbus	First
A5	CC1	Second	B8	SBU2	Second
A6	Dp1	Second	B7	Dn2	Second
A7	Dn1	Second	B6	Dp2	Second
A8	SBU1	Second	B5	CC2	Second
A9	Vbus	First	B4	Vbus	First
A10	SSRXn2	Second	B3	SSTXn2	Second
A11	SSRXp2	Second	B2	SSTXp2	Second
A12	GND	First	B1	GND	First
SHELL	GND		SHELL	GND	

Part Number USB4115		Product Description USB Type C Receptacle, Vertical, SMT, H=9.25mm		
Drawing Date 28th September 2020				
By CC	Detail Drawing Release	Tolerances (Except as Noted) Length X.X ± 0.30 X.XX ± 0.25 X.XXX ± 0.10	Units: Metric (mm)	
Revision A	Date 28/09/20	Angle -	3rd Angle Projection	
This drawing is confidential and copyright of Global Connector Technology, Ltd (GCT). This drawing must not be copied or disclosed without written consent. E & OE				 Not to Scale Drawn By CC Sheet No. 2/3



Pcs / Reel	Reels / Carton	Total Quantity
270	10	2,700 pcs

Part Number		Product Description	
USB4115		USB Type C Receptacle, Vertical, SMT,H=9.25mm	
Drawing Date		28th September 2020	
By	CC	Tolerances (Except as Noted)	Units:
Detail	Drawing Release	Length X.X ± 0.30	Metric (mm)
Revision	A	Angle X.XX ± 0.25	 3rd Angle Projection
Date	28/09/20	X.XXX ± 0.10	



This drawing is confidential and copyright of Global Connector Technology, Ltd (GCT). This drawing must not be copied or disclosed without written consent. E & OE



Not to Scale	Drawn By CC	Sheet No. 3/3
--------------	----------------	------------------