

20  
RELEASED FOR PUBLICATION

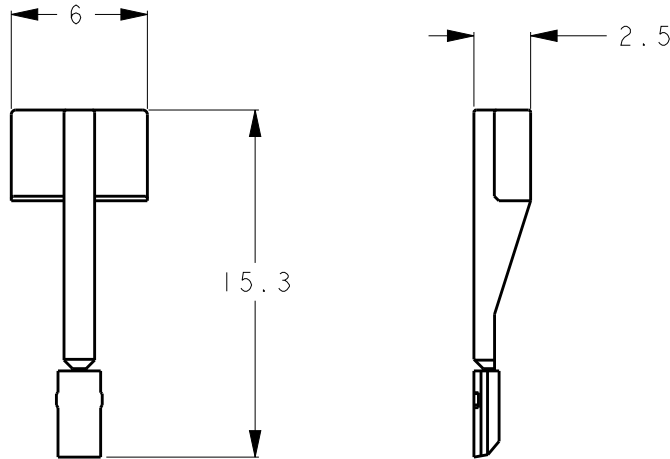
THIS DRAWING IS UNPUBLISHED.

ALL RIGHTS RESERVED.

BY -  
© COPYRIGHT 20

REVISIONS

P	LTR	DESCRIPTION	DATE	DWN	APVD
	A	RELEASED	24OCT2018	TS	EI



- 1. MATERIAL : PPS
- COLOR : BLACK
- 2. KEYING PLUG USE P/N : SEE TABLE

HDW5/3-4/4-M/F	2312739-2	2312740-2
HD5-3-M/F	2312737-2	2312738-2
HD4-6-M/F	2312735-2	2312736-2
HD3-10-M/F	2312733-2	2312734-2
HDI-24-M/F	2316315-2	2316316-2
HDI-48-M/F	2312729-2	2312730-2
DESCRIPTION	MALE	FEMALE
	PART NUMBER	

2314531-1  
PART NUMBER

DIMENSIONS: mm	DWN T. SHIMOYASU 24OCT2018	MATERIAL SEE NOTE	FINISH -
TOLERANCES UNLESS OTHERWISE SPECIFIED:  0 PLC ±0.5 1 PLC ±0.5 2 PLC ±0.5 3 PLC ±0.5 4 PLC ±0.5 ANGLES ±5°	CHK E. IKEMATSU 24OCT2018	TE Connectivity	
	APVD E. IKEMATSU 24OCT2018		
	PRODUCT SPEC -	NAME KEYING PLUG HMN-HD	
	APPLICATION SPEC 114-78032	SIZE A4	CAGE CODE -
	WEIGHT 0.104g	DRAWING NO C-2314531	RESTRICTED TO
CUSTOMER DRAWING		SCALE 3:1	SHEET 1 OF 1 REV A