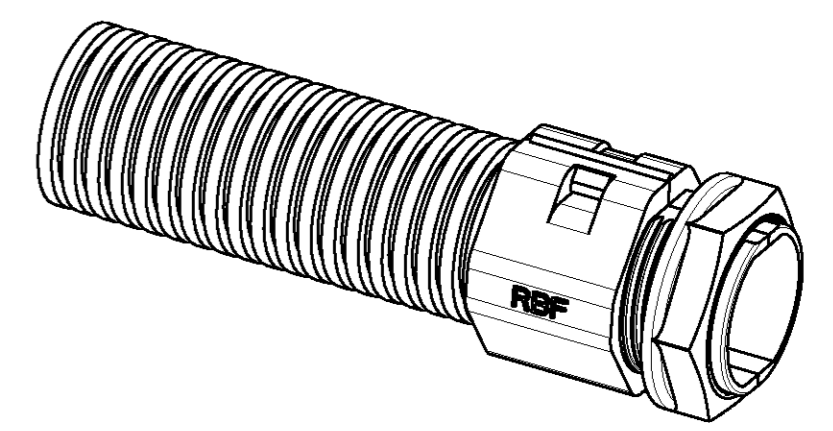


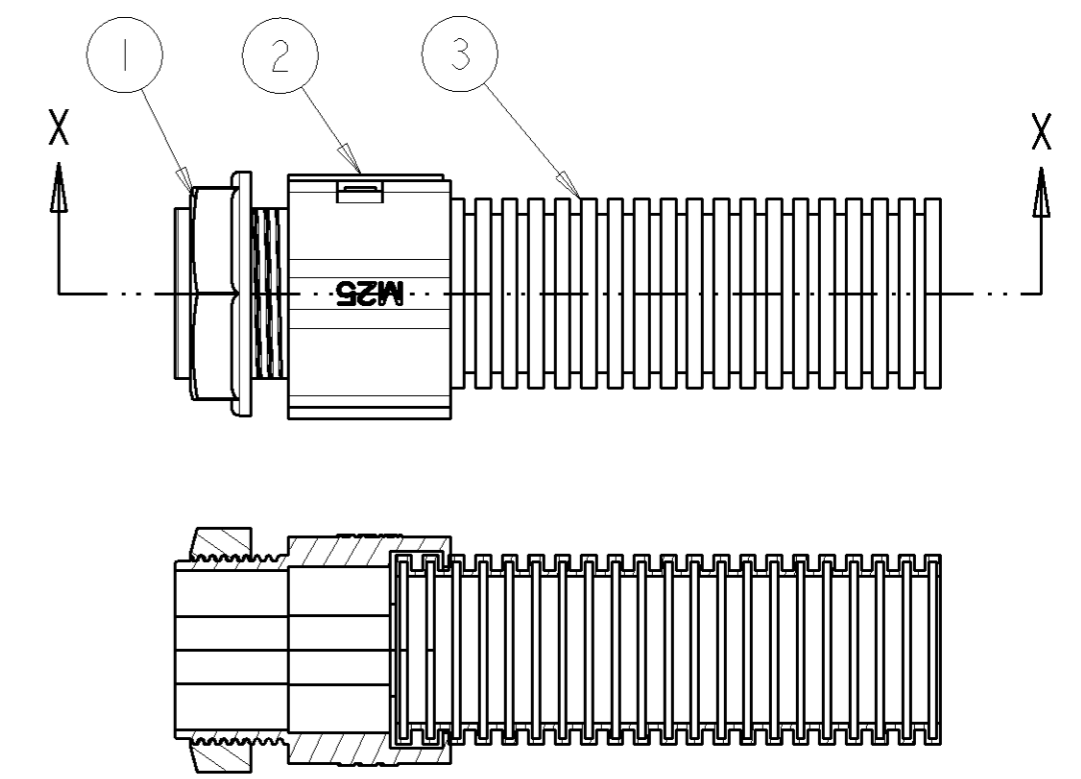
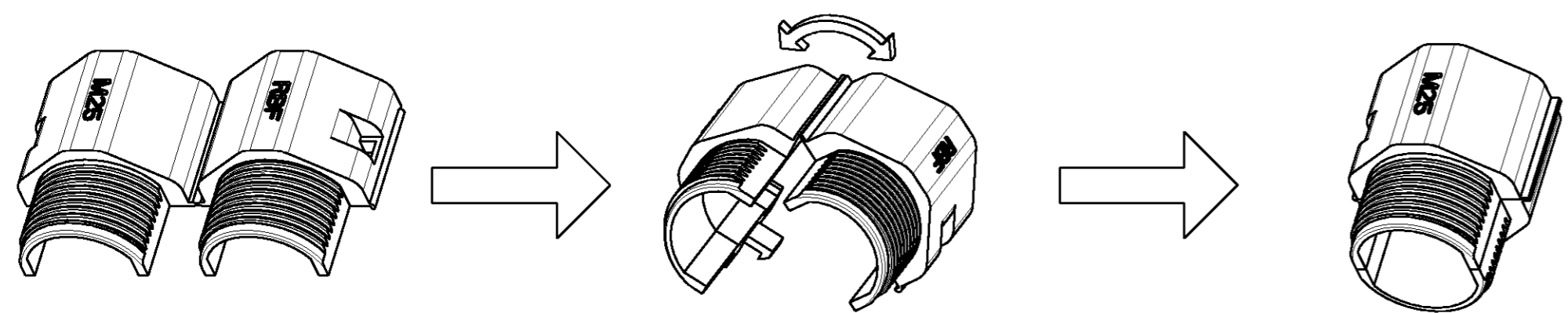
THIS DRAWING IS UNPUBLISHED. RELEASED FOR PUBLICATION 20
 © COPYRIGHT 20 BY TYCO ELECTRONICS CORPORATION. ALL RIGHTS RESERVED.

LOC	DIST	REVISIONS					
E	B	P	LTR	DESCRIPTION	DATE	DWN	APVD
		A		FIRST ISSUE	04JAN2006	JMS	FWK

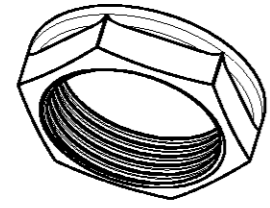
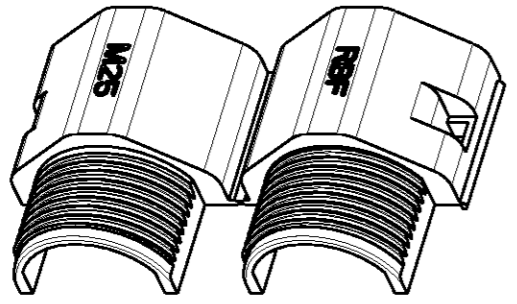
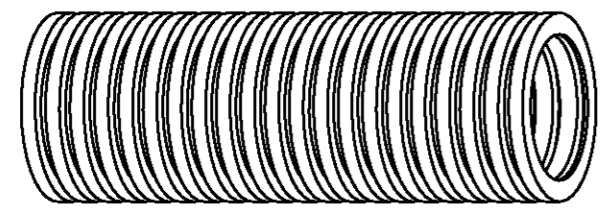
- NOTES:
- MATERIAL: BLACK POLYPROPYLENE
 - USAGE: GENERAL USE PUBLIC BUILDING, INDUSTRIAL WHERE LIMITED MECHANICAL PROTECTION IS REQUIRED
 - PACKAGING: PACK IN ACCORDANCE WITH PACK SPECIFICATION 107-3338

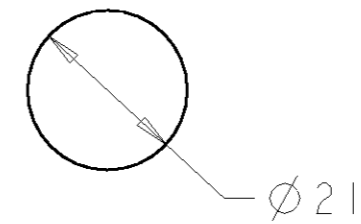
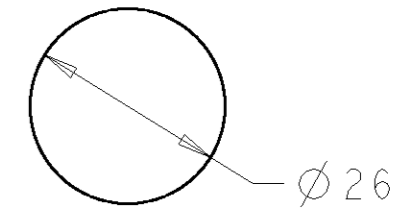


SCALE 1:1



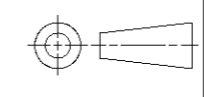
SECTION X-X

ITEM NUMBER	PICTURE	DESCRIPTION	QTY
1		LOCKNUT	10 OFF
2		STRAIGHT FITTING	10 OFF
3		CONDUIT	10m

PANEL CUT-OUT DIMENSIONS (MAX PANEL THICKNESS 7.5mm) 20mm CONTRACTOR PACK 1-1814740-0	PANEL CUT-OUT DIMENSIONS (MAX PANEL THICKNESS 7.5mm) 25mm CONTRACTOR PACK 2-1814740-0
	

25	18	25mm CONTRACTOR PACK STANDARD	2-1814740-0
20	14	20mm CONTRACTOR PACK STANDARD	1-1814740-0
OD	ID	DESCRIPTION	PART NO.

CONDUIT DIMS

<small>THIS DRAWING IS A CONTROLLED DOCUMENT FOR TYCO ELECTRONICS CORPORATION IT IS SUBJECT TO CHANGE AND THE CONTROLLING ENGINEERING ORGANIZATION SHOULD BE CONTACTED FOR THE LATEST REVISION.</small>		DWN J. SANDWELL 04JAN2006 CHK S. PARLOW 04JAN2006 APVD E. WHEELER-KING 04JAN2006	tyco Electronics Tycoelectronics UK Ltd, Barton Tors, Bideford, Devon, EX39 4HE
DIMENSIONS: mm 	TOLERANCES UNLESS OTHERWISE SPECIFIED: 0 PLC ± 1 PLC ± 2 PLC ± 3 PLC ± 4 PLC ± ANGLES ± FINISH	NAME: BETA FLEX CONTRACTOR PACK STANDARD PRODUCT SPEC: - APPLICATION SPEC: - WEIGHT: -	SIZE: A2 CAGE CODE: 00779 DRAWING NO: 1814740 RESTRICTED TO: -
MATERIAL: -		CUSTOMER DRAWING	
		SCALE: NTS	SHEET 1 OF 1 REV A