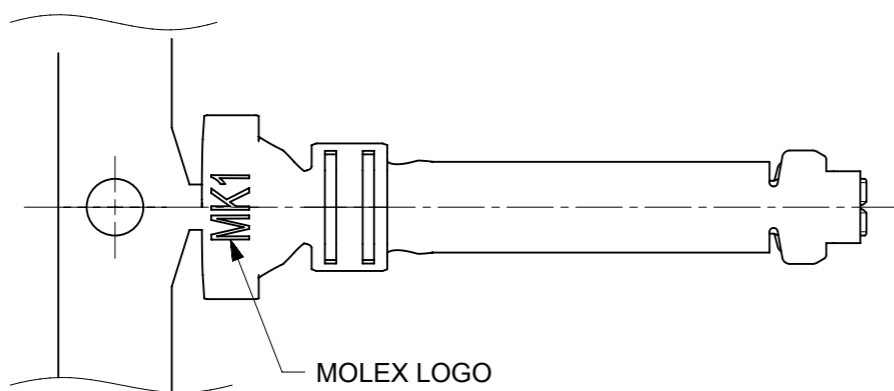


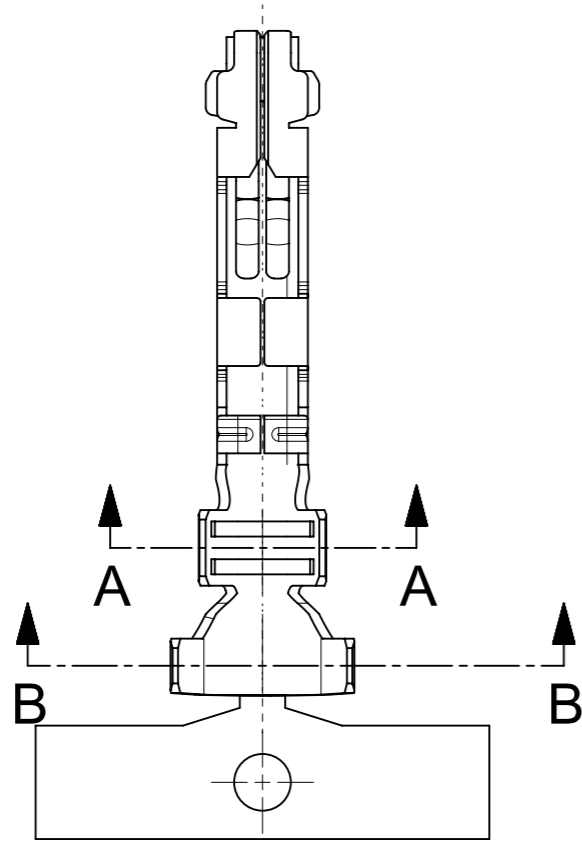
NOTES:

1. MATERIAL: COPPER-NICKEL ALLOY
2. FINISHES: SEE TABLE
3. WIRE RANGE #16~#20 AND #22~#26
4. PRODUCT SPECIFICATION: 2069960000PS
5. PACKAGING SPECIFICATION: 2069990000PK
6. MATES WITH: 206996, 206997 SERIES

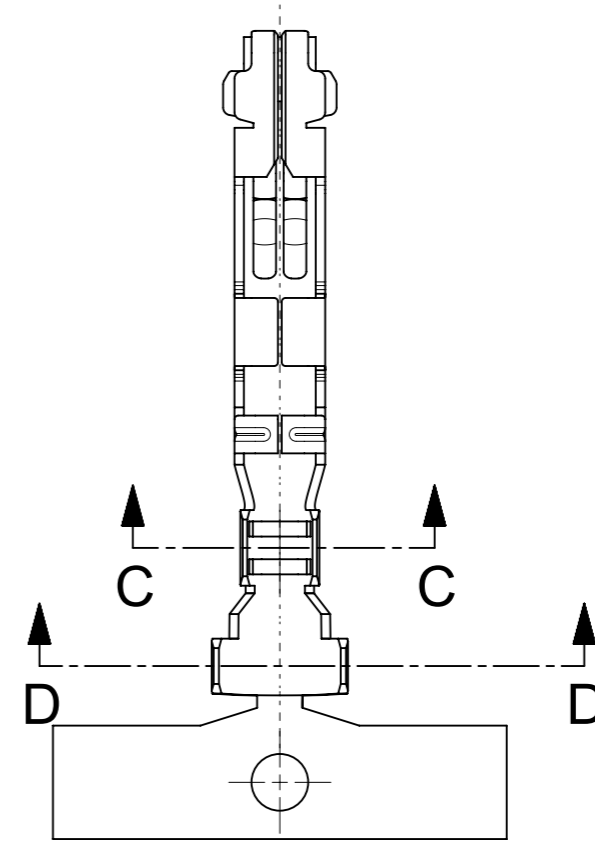


MATERIAL NO.	FINISHES	AWG SIZE
206999-8000	PRE-TIN PLATING	#16 ~ #20 Ø1.7~Ø3.3
206999-8002	POST-TIN PLATING	
206999-8003	POST-AU PLATING	#22 ~ #26 Ø1.25~Ø2.35
207000-8000	PRE-TIN PLATING	
207000-8002	POST-TIN PLATING	
207000-8003	POST-AU PLATING	

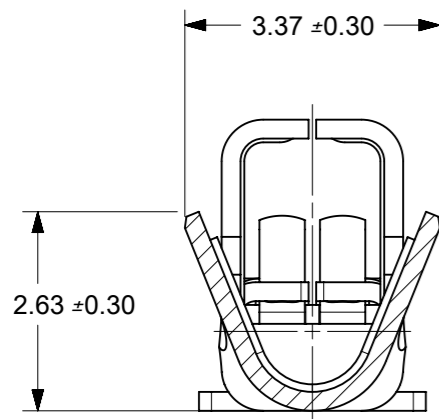
FUNCTIONAL SYMBOLS $\nabla/A = 0$ $\nabla/E = 0$ $\nabla/P = 0$	THIS DRAWING CONTAINS INFORMATION THAT IS PROPRIETARY TO MOLEX ELECTRONIC TECHNOLOGIES, LLC AND SHOULD NOT BE USED WITHOUT WRITTEN PERMISSION	SCALE	molex CP4.5 CRIMP TERMINAL							
	DIMENSION UNITS	5:1								
	GENERAL TOLERANCES (UNLESS SPECIFIED)		CURRENT REV DESC:							
	ANGULAR TOL ± 5.0°		EC NO: 634911							
DIVISIONAL SYMBOLS	4 PLACES ±	DRWN: SCHONG03 2020/03/27								
	3 PLACES ± 0.2	CHK'D: JBJIN 2020/03/30								
	2 PLACES ± 0.2	APPR: YSKIM02 2020/03/30								
	1 PLACE ± 0.2	INITIAL REVISION:								
	0 PLACES ± 0.2	DRWN: SCHONG03 2019/02/18								
DRAFT WHERE APPLICABLE MUST REMAIN WITHIN DIMENSIONS		THIRD ANGLE PROJECTION	DRAWING	SERIES	MATERIAL NUMBER	CUSTOMER	DOCUMENT NUMBER	DOC TYPE	DOC PART	REVISION
			A3-SIZE	206999	SEE CHART		2069998000	PSD	001	A2
										SHEET NUMBER
										1 OF 2



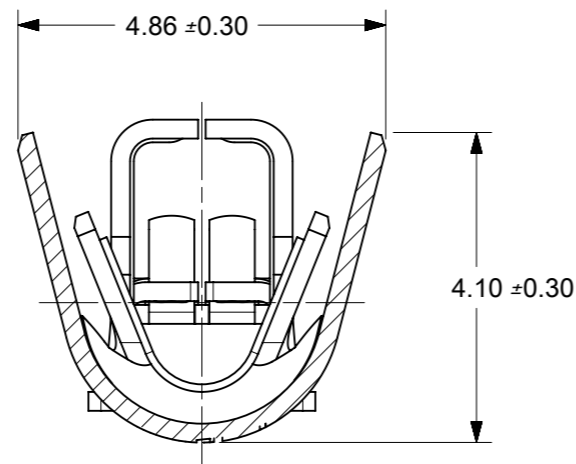
#16 ~ #20 AWG CRIMP SIZE



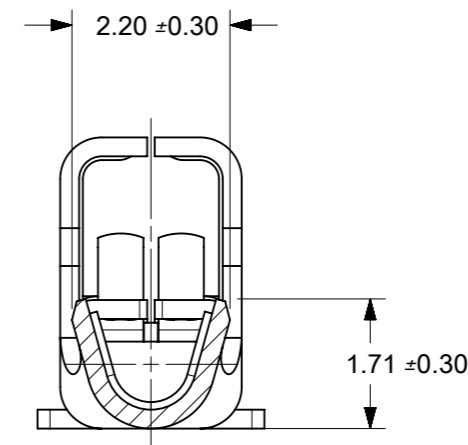
#22 ~ #26 AWG CRIMP SIZE



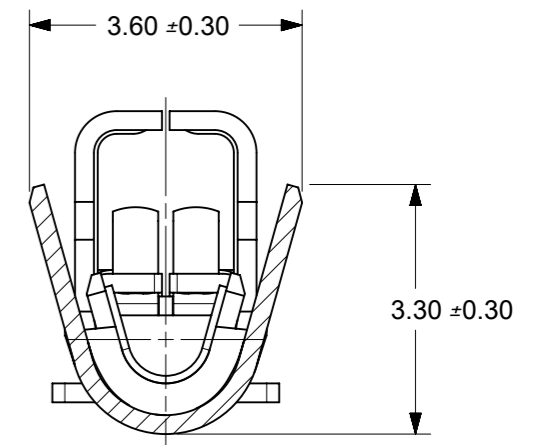
SECTION A-A
SCALE 10:1



SECTION B-B
SCALE 10:1



SECTION C-C
SCALE 10:1



SECTION D-D
SCALE 10:1

FUNCTIONAL SYMBOLS	THIS DRAWING CONTAINS INFORMATION THAT IS PROPRIETARY TO MOLEX ELECTRONIC TECHNOLOGIES, LLC AND SHOULD NOT BE USED WITHOUT WRITTEN PERMISSION		CURRENT REV DESC:		molex			
	▽A = 0	mm						5:1
DIVISIONAL SYMBOLS	GENERAL TOLERANCES (UNLESS SPECIFIED)		EC NO: 634911 DRWN: SCHONG03 CHK'D: JBJIN APPR: YSKIM02		CP4.5 CRIMP TERMINAL			
	▽E = 0	ANGULAR TOL ± 5.0°						
	▽F = 0	4 PLACES ±						
	▽G = 0	3 PLACES ± 0.2						
	▽H = 0	2 PLACES ± 0.2						
DRAFT WHERE APPLICABLE MUST REMAIN WITHIN DIMENSIONS		THIRD ANGLE PROJECTION	DRAWING	SERIES	MATERIAL NUMBER	CUSTOMER	SHEET NUMBER	
			A3-SIZE	206999	2069998000	SEE CHART	2 OF 2	