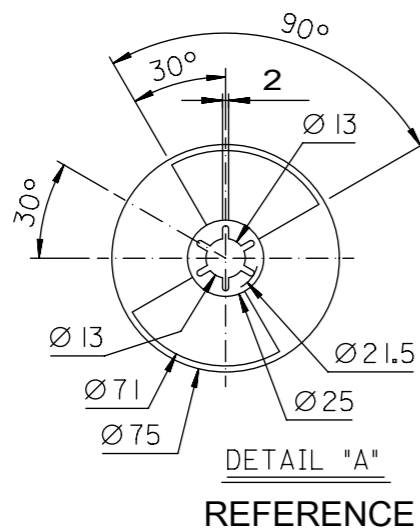
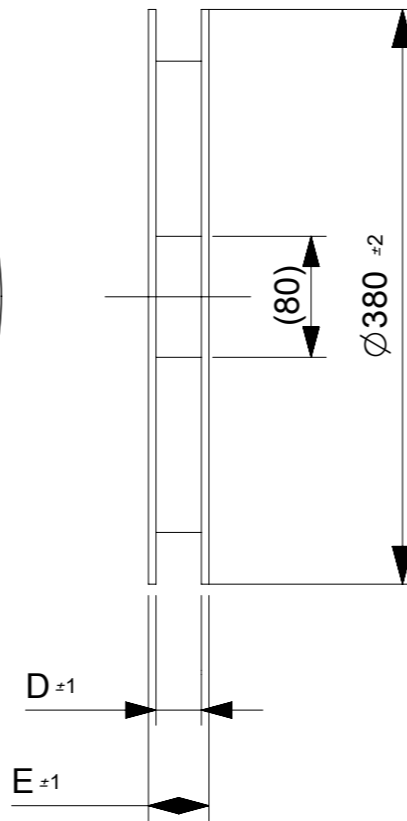
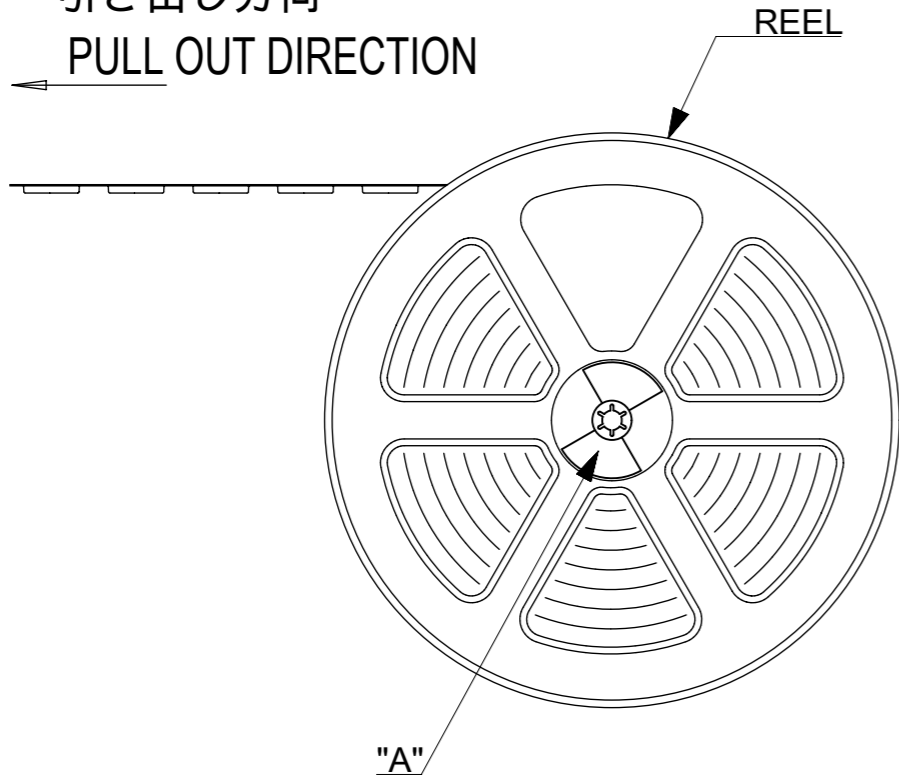
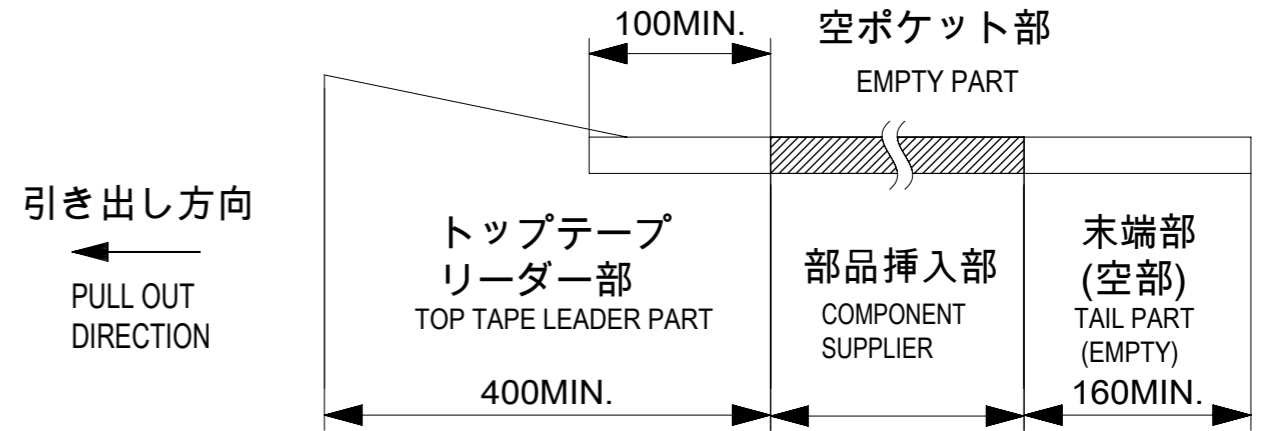


引き出し方向  
PULL OUT DIRECTION



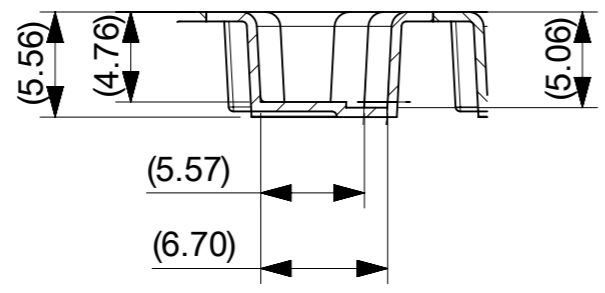
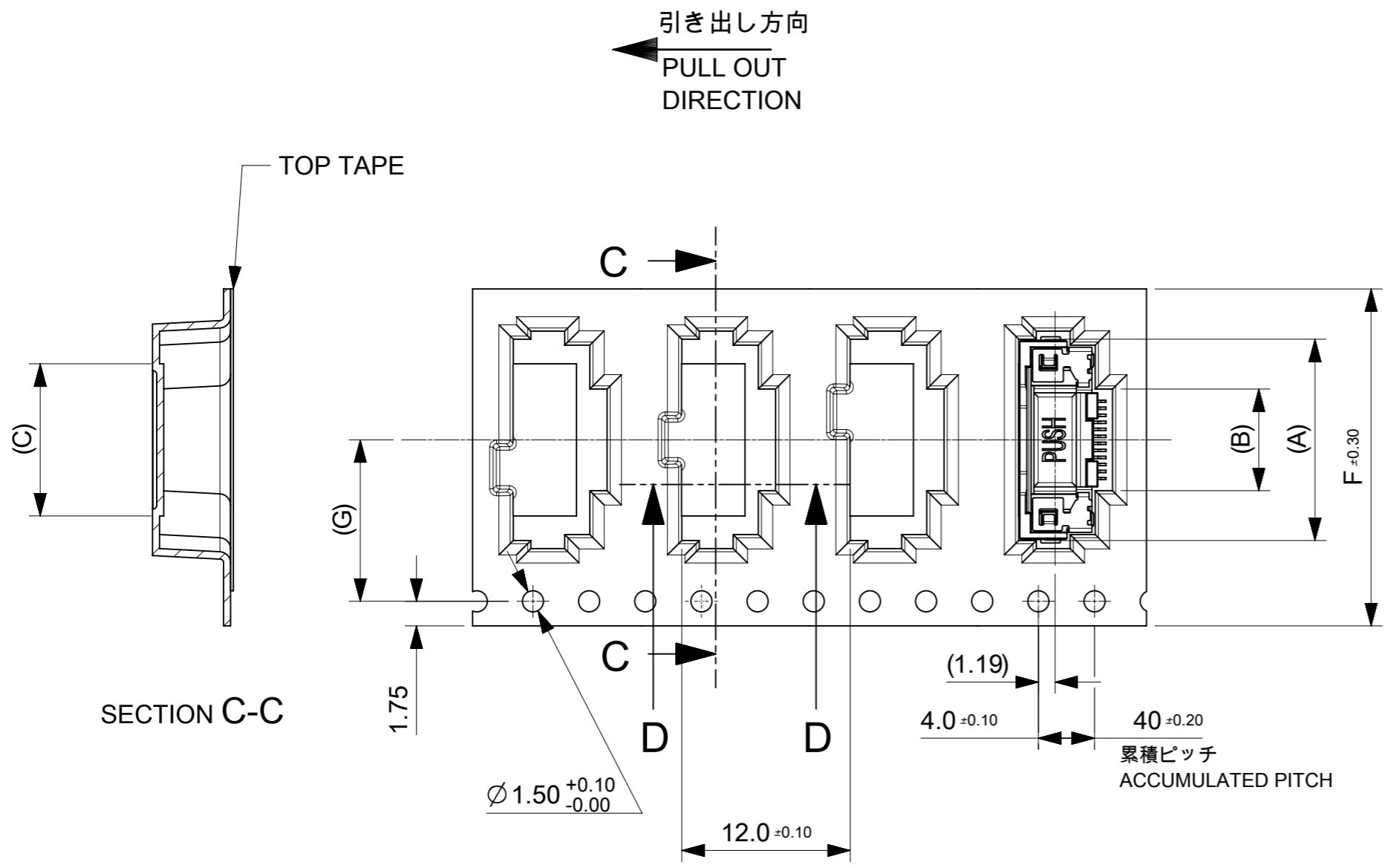
NOTES

- 梱包数量 : 1500個 / リール  
NUMBER OF CONNECTORS : 1500 PCS/REEL.
- リードテープ長さ  
LEAD TAPE LENGTH



- カバーテープの剥離強度については、IEC60286-3に準拠。  
TOP TAPE PEEL FORCE IS DEFINED BY IEC 60286-3.
- 製品詳細寸法については、図面 2004851600を参照下さい。  
FOR DIMENTIONS OF PRODUCT, REFER TO 2004851600
- 材料 MATERIAL  
キャリアテープ : ポリスチレン  
CARRIER TAPE : POLYSTYRENE  
トップテープ : ポリエチレンテレフタレート、ポリエチレン  
TOP TAPE : POLYETHYLENE TEREHTHALATE, POLYETHYLENE  
リール :ポリスチレン<リサイクル材を含む>  
REEL : POLYSTYRENE RECYCLED MATERIAL CONTAINED
- ELV及びRoHS適合品 ELV AND RoHS COMPLIANT.

THIS DRAWING CONTAINS INFORMATION THAT IS PROPRIETARY TO MOLEX ELECTRONIC TECHNOLOGIES, LLC AND SHOULD NOT BE USED WITHOUT WRITTEN PERMISSION		CURRENT REV DESC:		<b>molex</b>		
DIMENSION UNITS	SCALE					
mm	NTS			PRODUCT CUSTOMER DRAWING		
GENERAL TOLERANCES (UNLESS SPECIFIED)		EC NO: 648126		DOCUMENT NUMBER		
ANGULAR TOL ± 1.0 °		DRWN: TYAMANE 2020/10/15		2004850600		
4 PLACES ± 0.1		CHK'D: YMATSUMOTO 2020/10/30		DOC TYPE DOC PART REVISION		
3 PLACES ± 0.1		APPR: SHOSHIKAWA 2020/11/02		PSD 000 B		
2 PLACES ± 0.1		INITIAL REVISION:		MATERIAL NUMBER CUSTOMER SHEET NUMBER		
1 PLACE ± 0.1		DRWN: TYAMANE 2018/10/03		SEE TABLE GENERAL 1 OF 3		
0 PLACES ± 0.1		APPR: SHOSHIKAWA 2020/06/08				
DRAFT WHERE APPLICABLE MUST REMAIN WITHIN DIMENSIONS		THIRD ANGLE PROJECTION	DRAWING	SERIES		
			A3-SIZE	200485		

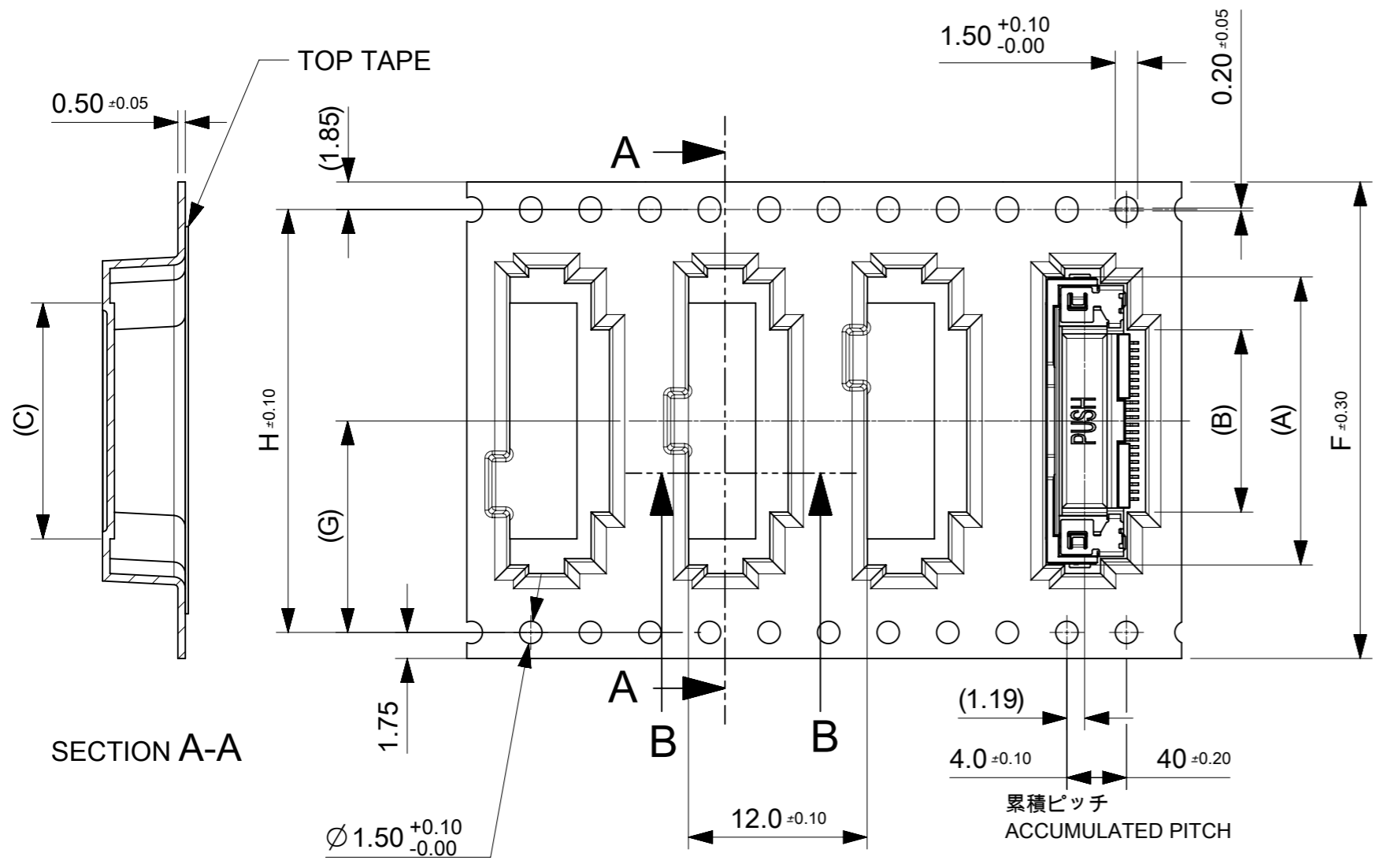


11.5	24	29.4	25.4	10.84	7.04	14.34	2004850610	10
G	F	E	D	C	B	A	EMBOSSED PACKAGE	Ckt
							オーダー番号 ORDER NO.	

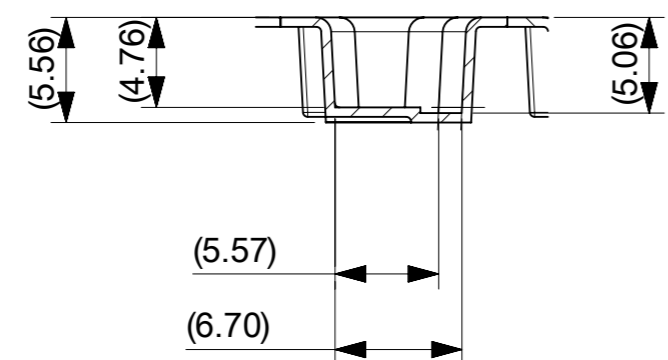
THIS DRAWING CONTAINS INFORMATION THAT IS PROPRIETARY TO MOLEX ELECTRONIC TECHNOLOGIES, LLC AND SHOULD NOT BE USED WITHOUT WRITTEN PERMISSION											
DIMENSION UNITS mm		SCALE NTS		CURRENT REV DESC:						<b>molex</b>	
GENERAL TOLERANCES (UNLESS SPECIFIED)				EC NO: 648126 DRWN: TYAMANE 2020/10/15 CHK'D: YMATSUMOTO 2020/10/30 APPR: SHOSHIKAWA 2020/11/02							
ANGULAR TOL ± 1.0 °				PRODUCT CUSTOMER DRAWING						DOCUMENT NUMBER	
4 PLACES ± 0.1				INITIAL REVISION:						2004850600	
3 PLACES ± 0.1				DRWN: TYAMANE 2018/10/03						PSD 000 B	
2 PLACES ± 0.1				APPR: SHOSHIKAWA 2020/06/08						DOC TYPE DOC PART REVISION	
1 PLACE ± 0.1				MATERIAL NUMBER						GENERAL	
0 PLACES ± 0.1				CUSTOMER						SHEET NUMBER	
DRAFT WHERE APPLICABLE MUST REMAIN WITHIN DIMENSIONS				THIRD ANGLE PROJECTION		DRAWING A3-SIZE		SERIES 200485		SEE TABLE	

CONNECTOR NO. 20048516\*\*

引き出し方向  
PULL OUT  
DIRECTION



累積ピッチ  
ACCUMULATED PITCH



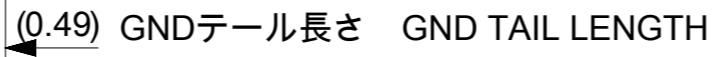
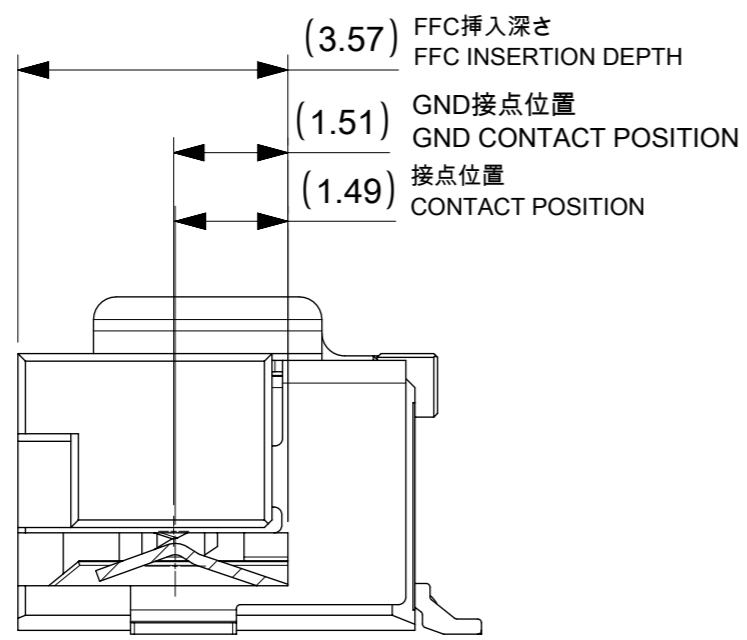
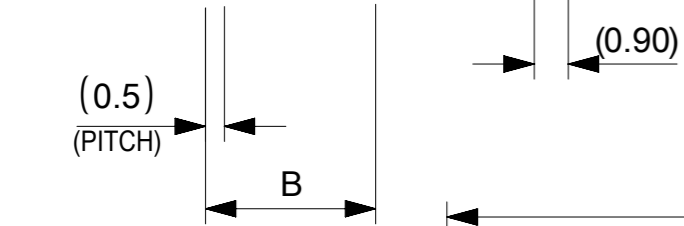
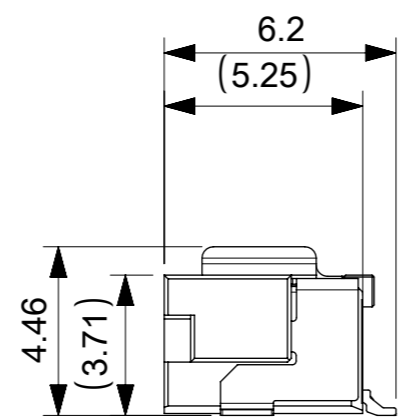
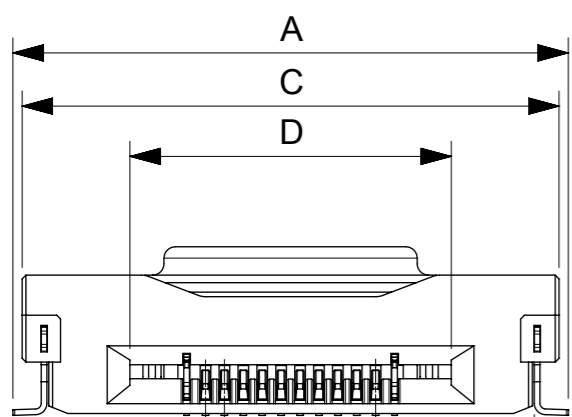
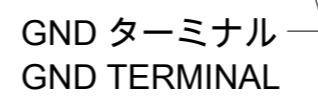
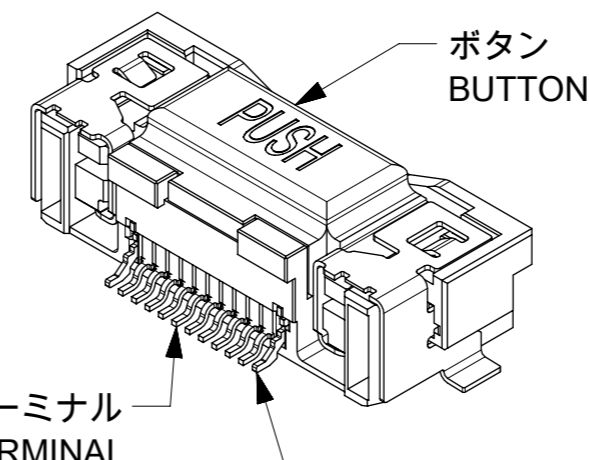
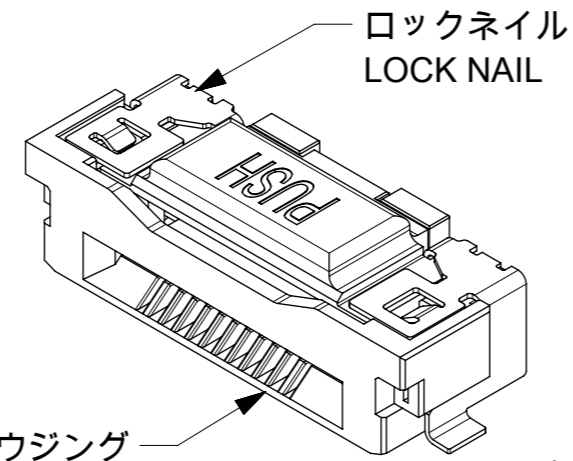
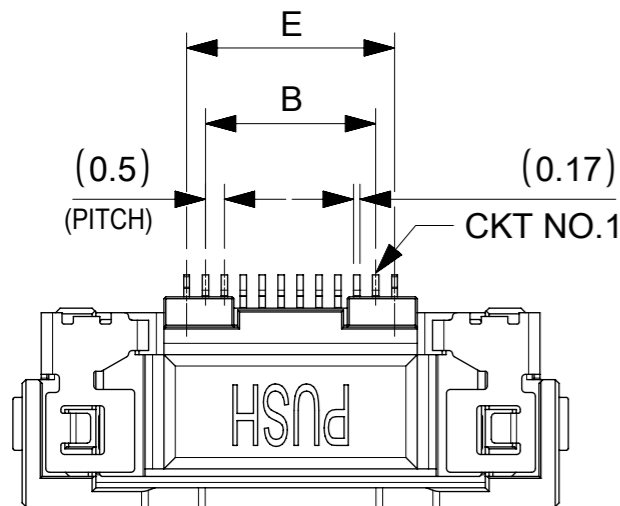
SECTION B-B

CONNECTOR NO. 20048516\*\*

68.4	34.2	72	78.1	73.5	45.84	42.04	49.34	2004850680	80
					40.84	37.04	44.34	2004850670	70
52.4	26.2	56	61.4	75.4	35.84	32.04	39.34	2004850660	60
					31.34	27.54	34.84	2004850651	51
					30.84	27.04	34.34	2004850650	50
40.4	20.2	44	49.4	45.4	25.84	22.04	29.34	2004850640	40
					23.34	19.54	26.84	2004850635	35
					20.84	17.04	24.34	2004850630	30
28.4	14.2	32	37.4	33.4	15.84	12.04	19.34	2004850620	20
H	G	F	E	D	C	B	A	EMBOSSED PACKAGE	Ckt
								オーダー番号 ORDER NO.	

THIS DRAWING CONTAINS INFORMATION THAT IS PROPRIETARY TO MOLEX ELECTRONIC TECHNOLOGIES, LLC AND SHOULD NOT BE USED WITHOUT WRITTEN PERMISSION

DIMENSION UNITS mm	SCALE NTS	CURRENT REV DESC:		<b>molex</b>	
GENERAL TOLERANCES (UNLESS SPECIFIED)		EC NO: 648126			
ANGULAR TOL ± 1.0 °	4 PLACES ± 0.1	DRWN: TYAMANE	2020/10/15	EMB PKG ONE-TOUCH RA GND	
3 PLACES ± 0.1	2 PLACES ± 0.1	CHK'D: YMATSUMOTO	2020/10/30	PRODUCT CUSTOMER DRAWING	
1 PLACE ± 0.1	0 PLACES ± 0.1	APPR: SHOSHIKAWA	2020/11/02	DOCUMENT NUMBER	
DRAFT WHERE APPLICABLE MUST REMAIN WITHIN DIMENSIONS		INITIAL REVISION:		2004850600	
THIRD ANGLE PROJECTION		DRWN: TYAMANE	2018/10/03	DOC TYPE	DOC PART
DRAWING		APPR: SHOSHIKAWA	2020/06/08	PSD	000
A3-SIZE		SERIES	200485	REVISION	B
MATERIAL NUMBER		CUSTOMER		SHEET NUMBER	
SEE TABLE		GENERAL		3 OF 3	

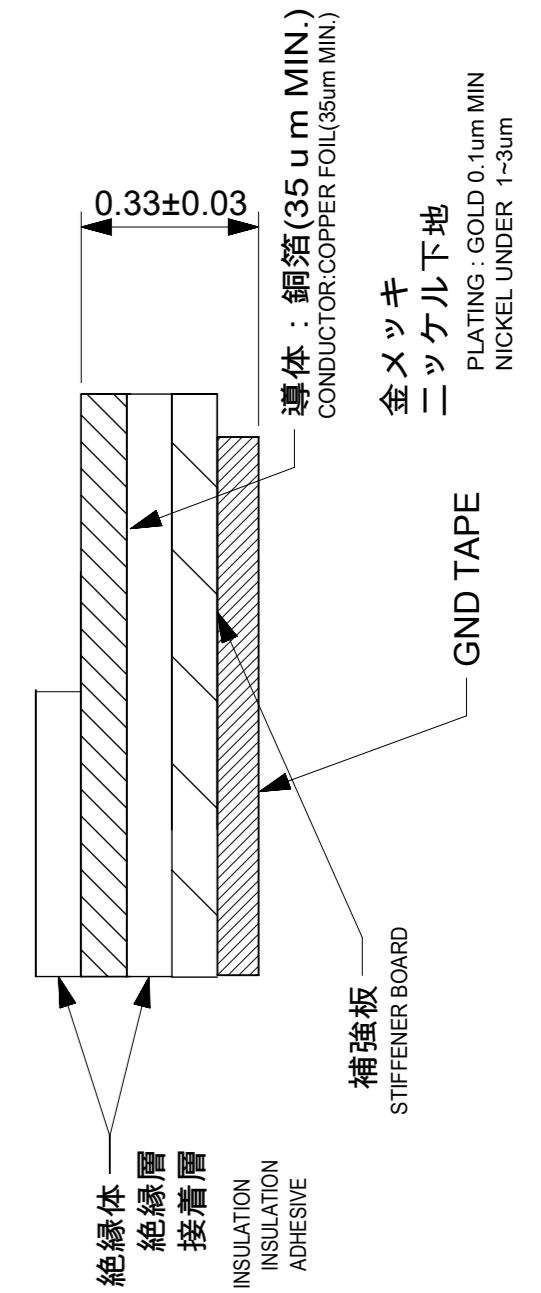
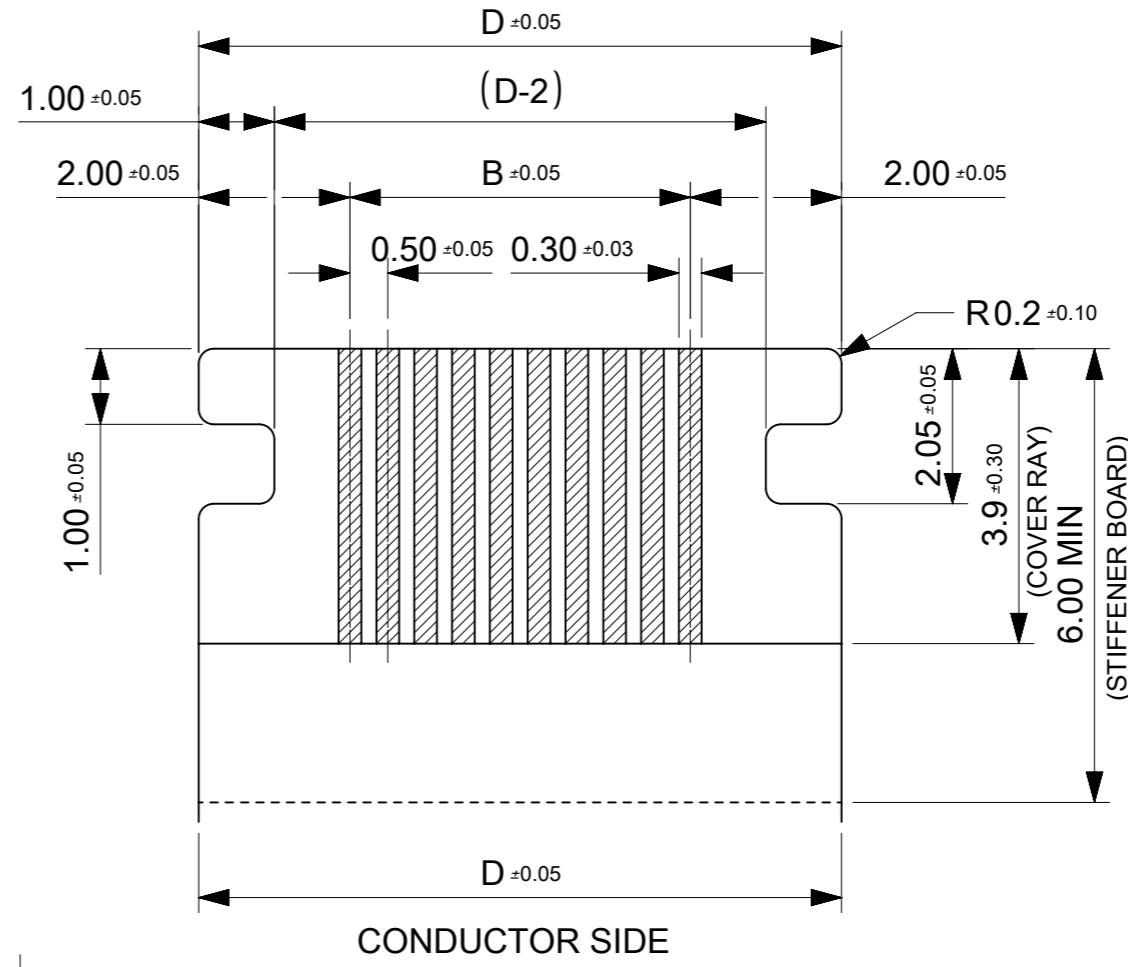
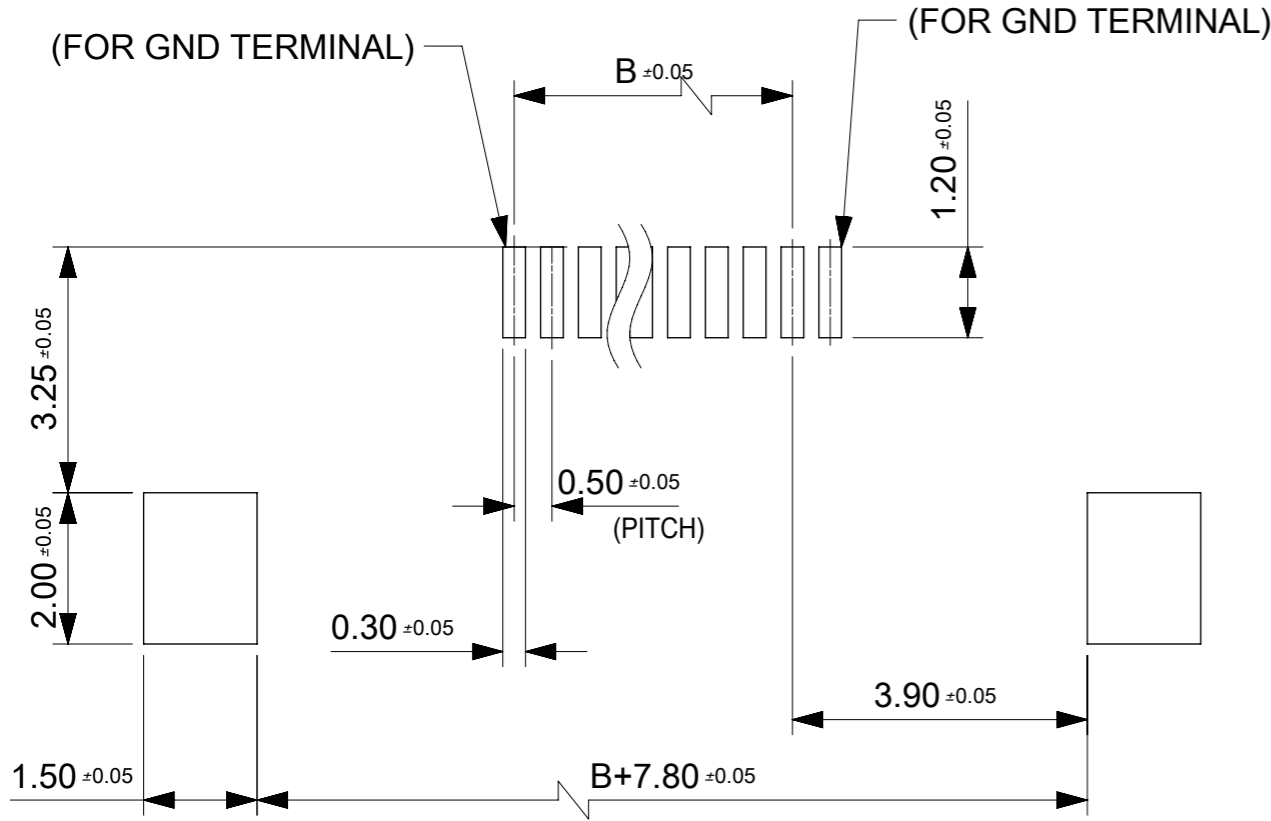


NOTES:  
 1.使用材料 MATERIAL  
 ハウジング: 液晶ポリマー, ガラス充填, UL94V-0(黒)  
 HOUSING: LIQUID CRYSTAL POLYMER, GLASS FILLED, UL94V-0(BLACK)  
 ボタン: 液晶ポリマー, ガラス充填, UL94V-0(ナチュラル)  
 BUTTON: LIQUID CRYSTAL POLYMER, GLASS FILLED, UL94V-0(NATURAL)  
 ターミナル: 銅合金(t=0.15)  
 TERMINAL: COPPER ALLOY  
 ロックネイル: 銅合金(t=0.15)  
 LOCK NAIL: COPPER ALLOY  
 GNDターミナル: 銅合金(t=0.15)  
 GND TERMINAL: COPPER ALLOY  
 2.めっき仕様 PLATING  
 ターミナル TERMINAL  
 接点部: 金めっき 0.1μm以上  
 CONTACT AREA: GOLD 0.1 MICROMETER MINIMUM  
 半田付け部: 金めっき  
 SOLDER TAIL AREA: GOLD  
 下地めっき: ニッケル 1.0μm以上  
 UNDERPLATE: NICKEL 1.0 MICROMETER MINIMUM  
 ロックネイル LOCK NAIL  
 錫めっき(1.0μm以上)  
 TIN PLATING (1.0 MICROMETER MIN.)  
 GNDターミナル GND TERMINAL  
 錫めっき(1.0μm以上)  
 TIN PLATING (1.0 MICROMETER MIN.)  
 3.平坦度は0.1ミリ以下とする。  
 COPLANALITY TO BE 0.1 MAXIMUM.

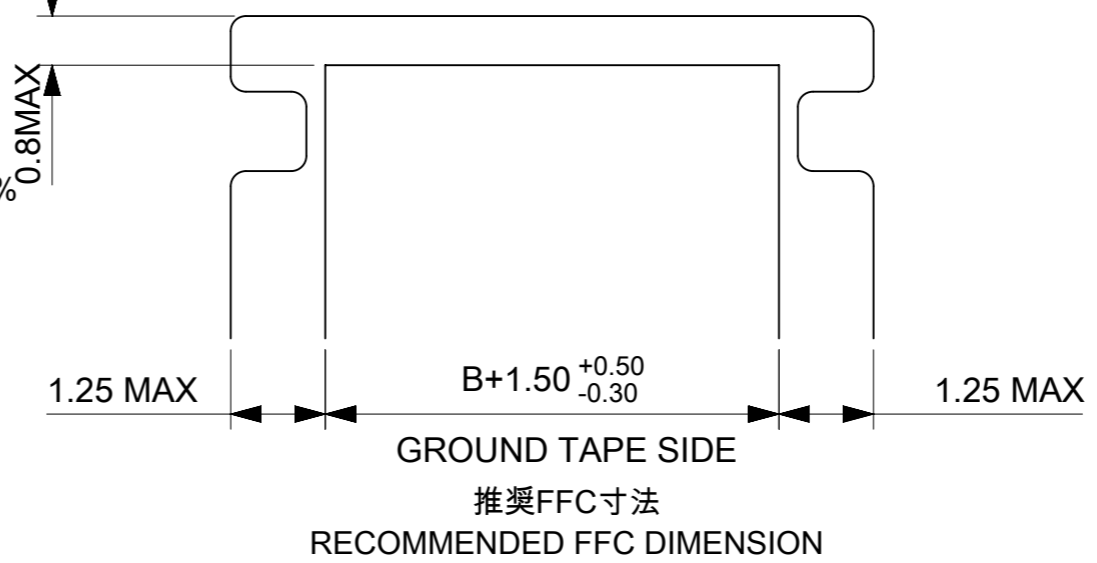
1.323	40.5	43.5	49.2	39.5	49.69	2004850680	80
1.215	35.5	38.5	44.2	34.5	44.69	2004850670	70
1.072	30.5	33.5	39.2	29.5	39.69	2004850660	60
0.957	26	29	34.7	25	35.19	2004850651	51
0.942	25.5	28.5	34.2	24.5	34.69	2004850650	50
0.796	20.5	23.5	29.2	19.5	29.69	2004850640	40
0.702	18	21	26.7	17	27.19	2004850635	35
0.650	15.5	18.5	24.2	14.5	24.69	2004850630	30
0.504	10.5	13.5	19.2	9.5	19.69	2004850620	20
0.358	5.5	8.5	14.2	4.5	14.69	2004850610	10
NET WEIGHT (g)	E	D	C	B	A	EMBOSSED PACKAGE	CIRCUIT
CONNECTOR SERIES NO. 20048516**						ORDER NO.	

THIS DRAWING CONTAINS INFORMATION THAT IS PROPRIETARY TO MOLEX ELECTRONIC TECHNOLOGIES, LLC AND SHOULD NOT BE USED WITHOUT WRITTEN PERMISSION

DIMENSION UNITS	SCALE	CURRENT REV DESC:		<b>molex</b>		
mm	5:1					
GENERAL TOLERANCES (UNLESS SPECIFIED)		EC NO: 650466		0.5FFC CONN. RA ONE TOUCH ASS'Y GND		
ANGULAR TOL	± 1.0°	DRWN: TYAMANE 2020/12/02		PRODUCT CUSTOMER DRAWING		
4 PLACES	± 0.1	CHK'D: YMATSUMOTO 2020/12/02		DOCUMENT NUMBER		
3 PLACES	± 0.1	APPR: SHOSHIKAWA 2020/12/02		2004851600		
2 PLACES	± 0.1	INITIAL REVISION:		DOC TYPE		
1 PLACE	± 0.1	DRWN: TYAMANE 2018/08/21		PSD		
0 PLACES	± 0.1	APPR: SHOSHIKAWA 2020/06/08		000		
DRAFT WHERE APPLICABLE MUST REMAIN WITHIN DIMENSIONS		THIRD ANGLE PROJECTION	DRAWING	SERIES	MATERIAL NUMBER	CUSTOMER
			A3-SIZE	200485	SEE TABLE	GENERAL
				SHEET NUMBER	1 OF 2	



推奨PWB寸法  
RECOMMENDED PWB DIMENSION  
推奨メタルマスク厚、開口率 :  $t=0.12$ mm, 80%  
RECOMMENDED METAL MASK THICKNESS, APERTURE RATIO :  $t=0.12$ mm, 80%  
ロックネール部開口率は100%  
APERTURE RATIO FOR LOCK NAIL: 100%



抜き方向は導体側から補強版側を推奨します  
RECOMMENDED PUNCHING DIRECTION:  
FROM CONDUCTOR SIDE TO STIFFENER SIDE

THIS DRAWING CONTAINS INFORMATION THAT IS PROPRIETARY TO MOLEX ELECTRONIC TECHNOLOGIES, LLC AND SHOULD NOT BE USED WITHOUT WRITTEN PERMISSION		CURRENT REV DESC:		<b>molex</b>	
DIMENSION UNITS	SCALE				
mm	10:1			0.5FFC CONN. RA ONE TOUCH ASS'Y GND	
GENERAL TOLERANCES (UNLESS SPECIFIED)				PRODUCT CUSTOMER DRAWING	
ANGULAR TOL	$\pm 1.0^\circ$			DOCUMENT NUMBER	
4 PLACES	$\pm 0.1$	EC NO: 650466		2004851600	
3 PLACES	$\pm 0.1$	DRWN: TYAMANE		DOC TYPE	
2 PLACES	$\pm 0.1$	CHK'D: YMATSUMOTO		PSD	
1 PLACE	$\pm 0.1$	APPR: SHOSHIKAWA		DOC PART	
0 PLACES	$\pm 0.1$	INITIAL REVISION:		000	
DRAFT WHERE APPLICABLE MUST REMAIN WITHIN DIMENSIONS		DRWN: TYAMANE		C	
THIRD ANGLE PROJECTION		APPR: SHOSHIKAWA		REVISION	
DRAWING		2018/08/21			
SERIES		2020/06/08			
MATERIAL NUMBER		A3-SIZE			
CUSTOMER		200485			
SHEET NUMBER		SEE TABLE		2 OF 2	
		GENERAL			