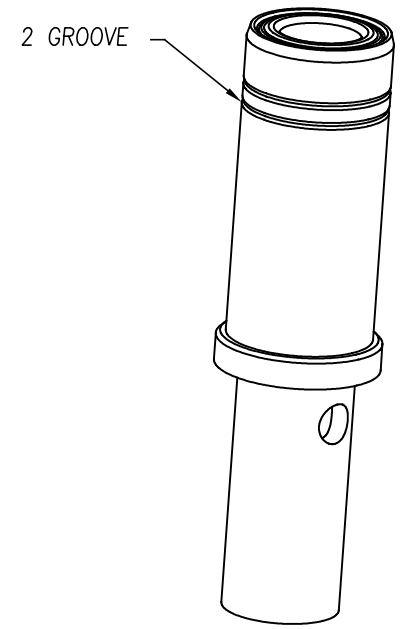
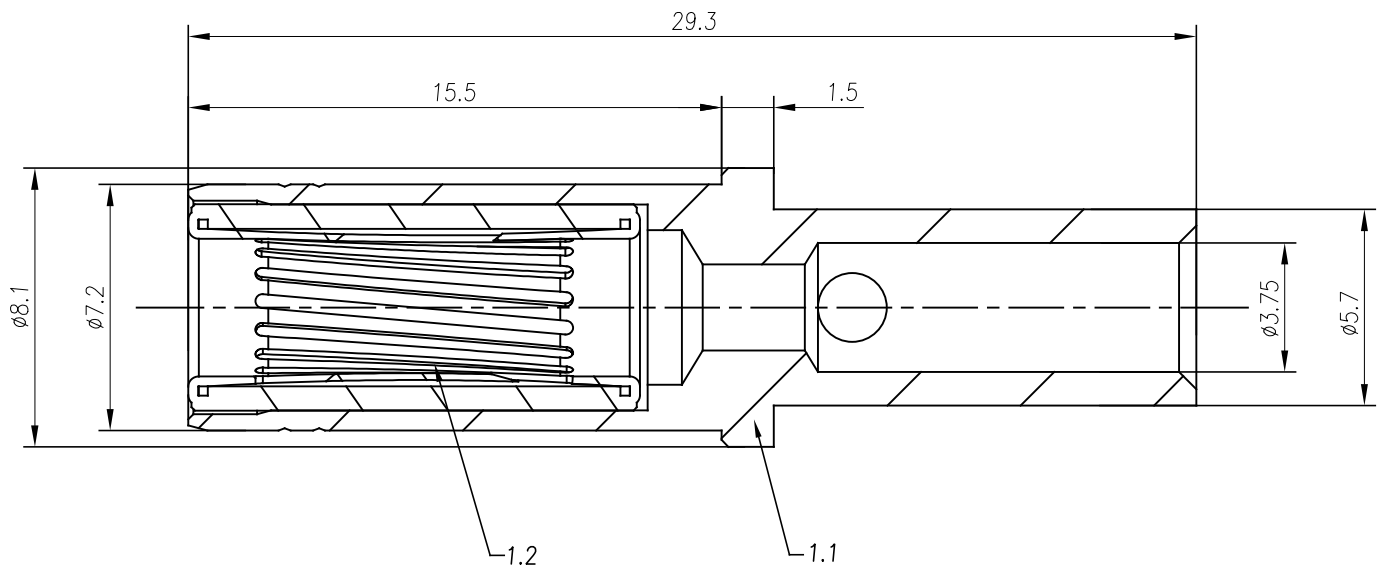


REVISIONS					
REV	ECO	DESCRIPTION	DATE	BY	APPR
A1	-	RELEASED DRAWING	SEP-21-20	BLINK	TOMMY



NOTES: (UNLESS OTHERWISE SPECIFIED)

- MATERIAL:
  - CONTACT BODY: COPPER ALLOY, SILVER PLATED.
  - RADSOK: COPPER ALLOY, SILVER PLATED.
- SPECIFICATIONS:
  - CURRENT RATING: 70A(MAX).
  - TERMINATION TYPE: CRIMPING.
  - WIRE RANGE: 10-12AWG .
- SUITABLE SOCKET TYPE: SC000530&SC000531-8.
- RoHS COMPLIANT.
- ALL DIMENSIONS ARE FOR REFERENCE USE ONLY.

TITLE: 4MM FEMALE SOCKET, 10-12AWG  
 DWG NO: SC000532-10-R4  
 REV: A1  
 SH: 1  
 OF: 1

QUANTITY	PART NUMBER	DESCRIPTION	ITEM
<b>MATERIALS LIST</b>			
UNLESS OTHERWISE SPECIFIED 1) All dimensions are in metric(mm). 2) Tolerances are as follows: 1 PL DEC ±0.30    Fractions ±1/64 2 PL DEC ±0.15 3 PL DEC ±0.08 3) Note reference =		<b>Amphenol</b> Sine Systems - www.amphenol-sine.com 44724 Morley Drive Clinton Township, MI 48036	
SIGNATURES    DATE		DRAWN: BLINK    SEP-21-20 CHECKED: ORION    SEP-23-20 ENGINEER: APPROVAL: TOMMY    SEP-25-20	
MATERIAL SPECIFICATIONS:		CUSTOMER:	
PROCESS SPECIFICATIONS:		THIS DRAWING IS SUPPLIED FOR INFORMATION ONLY. DESIGN FEATURES, SPECIFICATIONS AND PERFORMANCE DATA SHOWN HEREON ARE THE PROPERTY OF THE AMPHENOL CORPORATION. NO RIGHTS OF REPRODUCTION ARE IMPLIED. ALL DIMENSIONS ARE SUBJECT TO NORMAL MANUFACTURING VARIATIONS.	
NEXT ASSY:		SCALE: NONE	
		SIZE: B TYPE: C- DWG NO: SC000532-10-R4 REVISION: A1	SHEET 1 OF 1