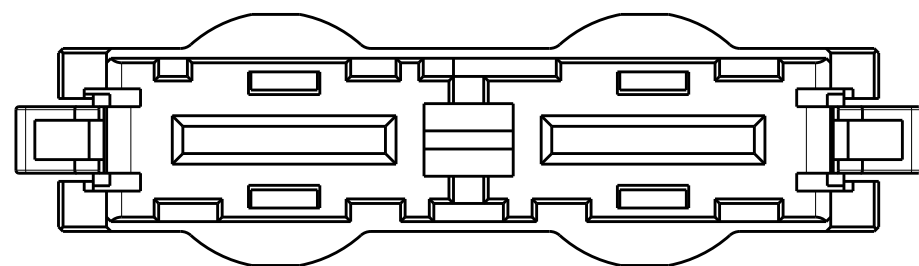
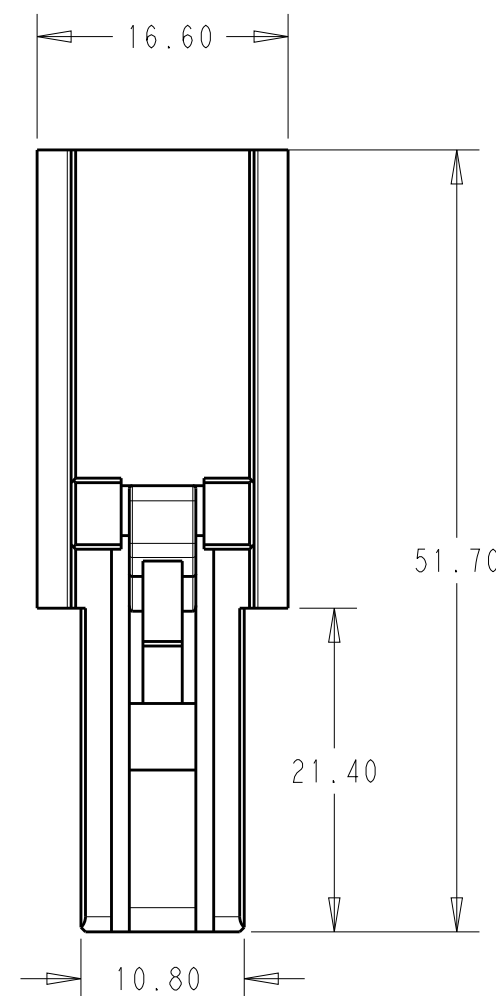
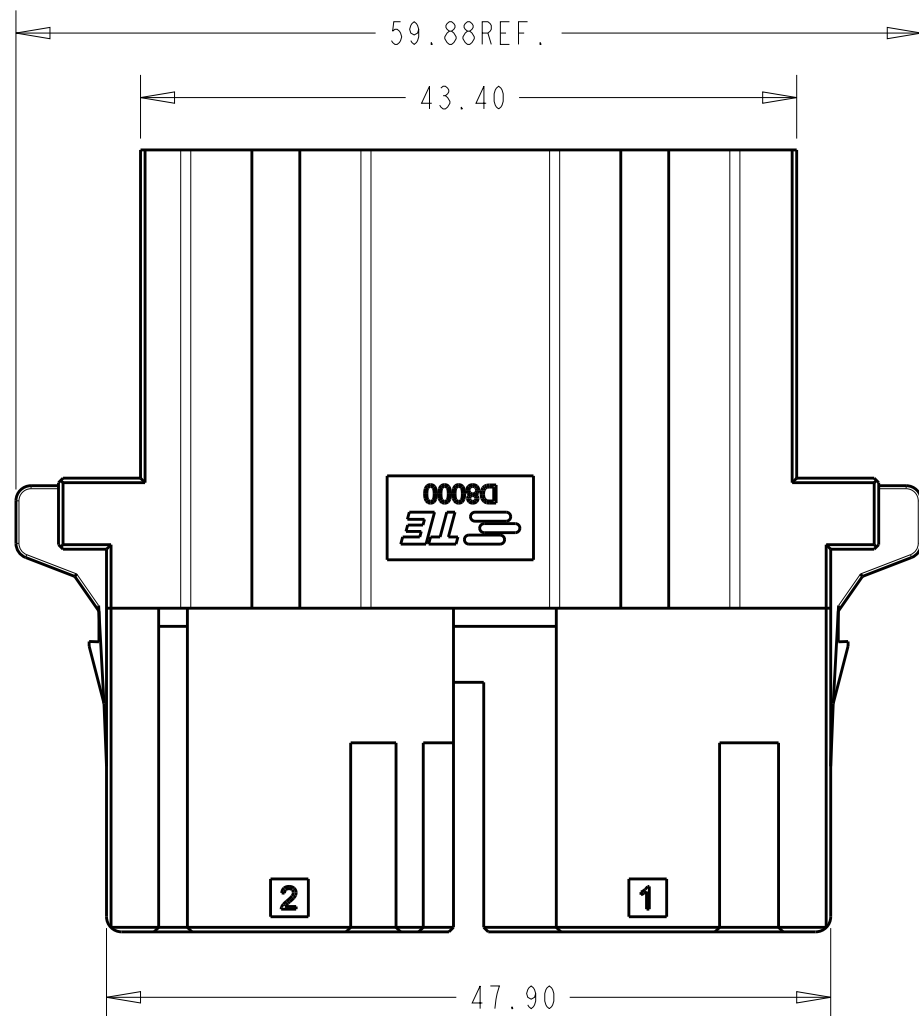
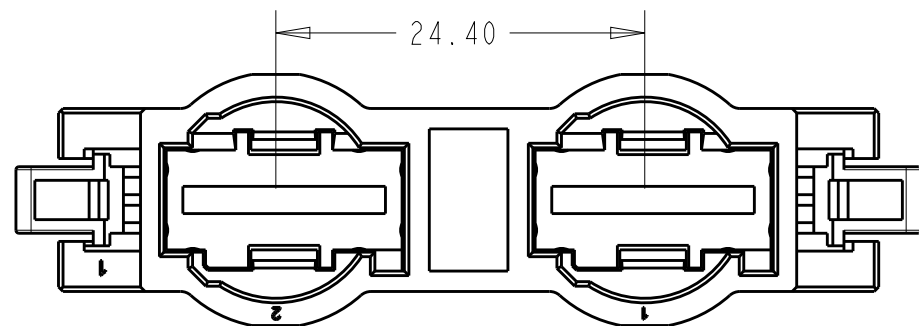

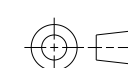


P	LTR	DESCRIPTION	DATE	DWN	APVD
	A	INITIAL	21 JUN 2020	A.W	R.B

AS SHOWN: 1-2351981-2



NOTE
1. MATERIAL: HOUSING: GLASS FILLED THERMO PLASTIC, POLYESTER (94V-0), COLOR: BLACK

THIS DRAWING IS A CONTROLLED DOCUMENT.		DWN ALVIN.W 24MAR2020	 TE Connectivity		
DIMENSIONS: mm		CHK RICK.B 24MAR2020			NAME REC HOUSING DYNAMIC 8000 -
		APVD RICK.B 24MAR2020			
TOLERANCES UNLESS OTHERWISE SPECIFIED:		PRODUCT SPEC 108-140254	RESTRICTED TO		
0 PLC ±		APPLICATION SPEC 114-78058	SIZE A3	CAGE CODE 00779	DRAWING NO C-2351981
1 PLC ±0.5		WEIGHT 19.3g	SCALE 1:1 SHEET 1 OF 1 REV A		
2 PLC ±0.4		CUSTOMER DRAWING			
3 PLC ±					
4 PLC ±					
ANGLES ±					
FINISH -					
MATERIAL SEE NOTE					