

Customer : ROXBURGH ELECTRONICS LIMITED

No. KK-96-3855

Date : Jan. 30, 1996

Attention :

Your ref. No :

Your Part. No : 21 1134

SPECIFICATIONS

ALPS :

MODEL RK2711250K

Sample No. : G0445311M

RECEIPT STATUS
RECEIVED
By. Date _____

Signature _____

Name _____

Title _____

ALPS ELECTRIC CO., LTD.

HEAD OFFICE
1-7, YUKIGAYA-OHTSUKA-CHO,
OHTA-KU, TOKYO 145 JAPAN

DSG'D Y. Saitoh

APP'D Y. Yoshitaka

ENG. DEPT. DIVISION

Sales

SPECIFICATIONS

1. THIS SPECIFICATIONS APPLY TO RK27112B0 POTENTIOMETERS.

2. CONTENTS OF THIS SPECIFICATIONS.

4K272A-210
HSA02, 4K-1
K272A0AOK

3. MARKING

· MARKING ON ALL UNITS
DATE CODE, RESIST. VALUE, TAPER

4. REMARKS

· FURNISH PACKAGE
NUT: 1, WASHER: 1
· NOTES

· Silver printed patterns are coated with carbon as a protection against sulphur-
ation.
· Marking ⇒ in specifications shows standard and condition for application.

ELECTRICAL 50 kΩ

- 1. Total resistance tolerance: Nominal ±20% (10kΩ ≤ R ≤ 2MΩ)
- 2. Rated voltage : Please refer to the attached. ~~Maximum operating voltage 30V A.C.~~
- 3. Resistance taper: See taper figure
- 4. Maximum attenuation level on full C.C.V. position:

Nominal total resistance value	Max.att.level
$R_a \geq 100k\Omega$	100dB min.
$100k\Omega > R_a \geq 50k\Omega$	90dB min.
$50k\Omega > R_a \geq 10k\Omega$	80dB min.

- 5. Insertion loss on full C.V. position: 0.1dB max.
- 6. Slider noise: less than 47mV (by method of JIS C 6443)
- 7. Insulation resistance: 100MΩ min. at 500V D.C.
- 8. Dielectric strength: Units shall be designed to withstand 500V A.C. 50Hz R.M.S. between resistance element and case for a period of one minute without damage or arcing
- 9. Gang error :

Nominal total resistance value	Gang error
$R \geq 50k\Omega$	3 dB max. between -70 less than -60 dB 2 dB max. between -60 ~ 0 dB
$50k\Omega > R \geq 20k\Omega$	3 dB max. between -60 less than -40 dB 2 dB max. between -40 ~ 0 dB
$20k\Omega > R \geq 10k\Omega$	3 dB max. between -60 ~ 0 dB

(term 1-2 output V
term 1-3 in out V)

ALPS ELECTRIC CO., LTD.

APPD. Jan 9, '88	CHKD. Jan 9, '88	DSGD Jan	TITLE
DOCUMENT NO.			4K272A-210 (1/2)
SYMB	DATE	APPD	CHKD
Δ 1	13-1-20	K. Y.	Y. S.

MECHANICAL

- 1. Total rotation angle: 300° ± 3°
- 2. Operation torque: 60~350 gf·cm (Rotational speed at 60°/sec., at 20°C)
- 3. Shaft end stop strength: 9kgf·cm min.
- 4. Resistance to soldering heat: After soldering (less than 350°C and quicker than 5 seconds) there shall be no evidence of poor contact between resistance element and terminals, or any physical damages as a result of the test
- 5. Nut tightening strength: 15kgf·cm min.
(Pay attention as following otherwise the strength may not be assured)
- 6. Shaft push / pull strength:
No damages with an application of push or pull force 10kgf for 10 seconds
- 7. Detent angle: : 150° ± 3°
- 8. Detent torque: Operation torque + (50 ~ 300)gf·cm

ENDURANCE

- 1. Rotational life: 15,000 cycles min.

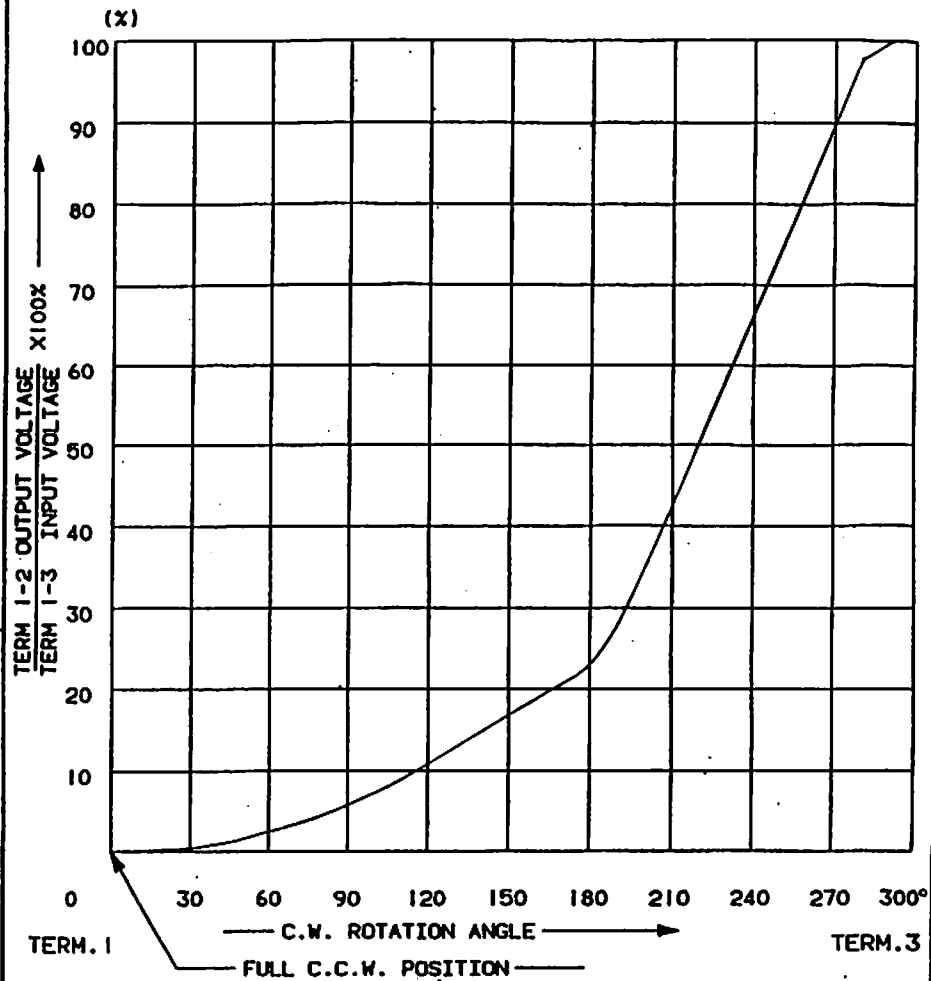
NOTE
1. The items except above mentioned items shall meet or exceed JIS C 6443.

ALPS ELECTRIC CO., LTD.

APPD. Jan 9, '88	CHKD. Jan 9, '88	DSGD Jan	TITLE
DOCUMENT NO.			4K272A-210 (2/2)
SYMB	DATE	APPD	CHKD
Δ 1	9-1-20	K. Y.	Y. S.



ALPS ELECTRIC CO., LTD
1-7 YUKIGAYA OTSUKA-CHO OTA-KU TOKYO JAPAN



AT 180° C.W. SHAFT ROTATION FROM FULL C.C.W. POSITION, VOLTAGE PERCENT SHALL FALL WITHIN THE LIMITS OF 15 - 30PERCENT.

APPRO	15-05-31	P.L.	T.K.	S.S.	OSGD	K. Chonan Jan. 22 '96	SCALE	
CHKD.						S. Sasaki Jan. 22 '96		TITLE
SYMB	DATE	APPO	CHKD	OSGD	UNIT	4. Ohno Jan. 22 '96	m m	RESISTANCE TAPER
								DOCUMENT NO.
								HSA02

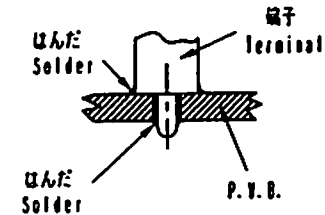
OR

< はんだ付け時の注意事項 >

図のようにP. W. 8の上面に はんだ付けをする配線は、お避け下さい。

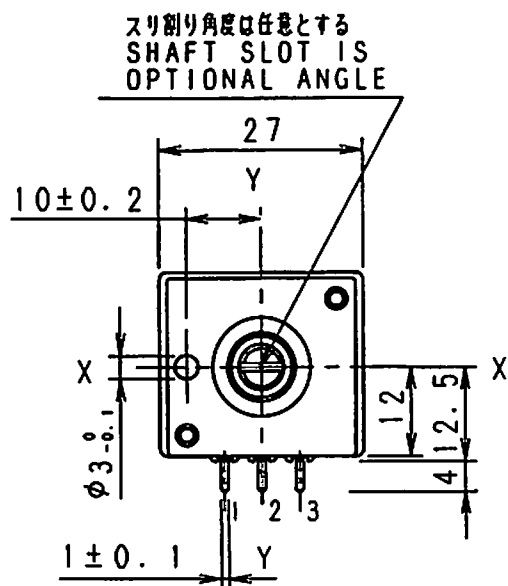
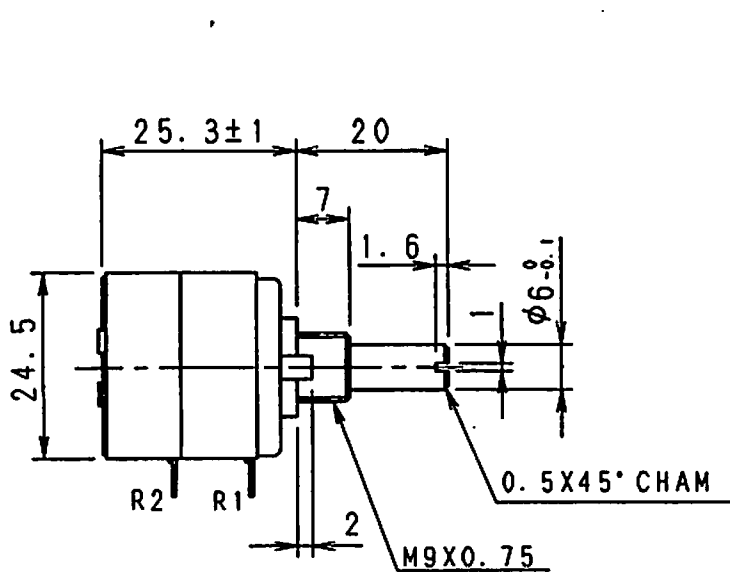
Caution for soldering

Please avoid soldering on upper surface of P. V. B. as shown



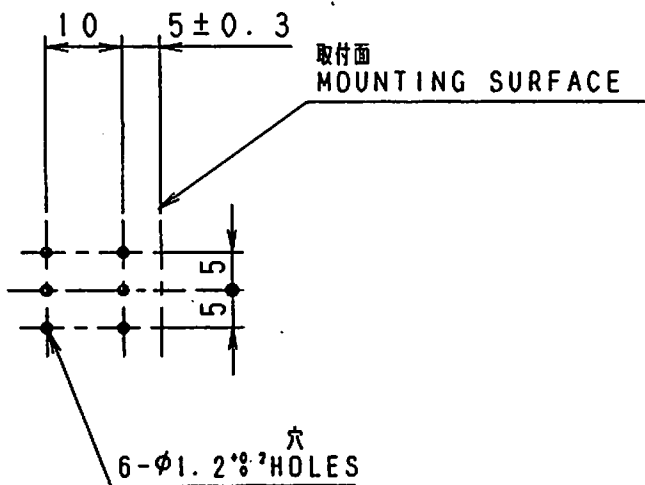
					ALPS ELECTRIC CO., LTD.			
APPRO	1-01	CHKD	1-01	OSGD	1-01	TITLE		
	96.1.11		96.1.11		96.1.11	DOCUMENT NO.		
	吉岡		佐藤		大矢	4K-1		
SYMB	DATE	APPO	CHKD	OSGD				

OR



スリ削り角度は任意とする
SHAFT SLOT IS
OPTIONAL ANGLE

取付穴寸法図許容差±0.1
挿入側よりみた図
P. W. B. MOUNTING DETAIL
TOLERANCE 0.1
VIEWED FROM MOUNTING SIDE



指定なき部分の許容差 TOLERANCES UNLESS OTHERWISE SPEC	
$L \leq 10$	± 0.3
$10 < L < 100$	± 0.5
$100 \leq L$	± 0.8
角度 ANGULAR DIMENSION	$\pm 5^\circ$

PART NO.	NAME	MATERIAL NAME / CODE	FINISH
ALPS ELECTRIC CO., LTD.			
		DSGD. 1-セツキ1 906011 Y. SAITOH 96-01-31	SCALE NO: 1:1 150° CLICK
		CHKD. U. Ohya '96.02.01	TITLE 27形1軸2速VR組立図
初設	'83-2-24	大谷	作製
SYMB	DATE	APPD	CHKD
		Y. Yoshitaka '96.02.01	DSGD
		UNIT	DOCUMENT NO.
		mm	K272A0A0K

OR