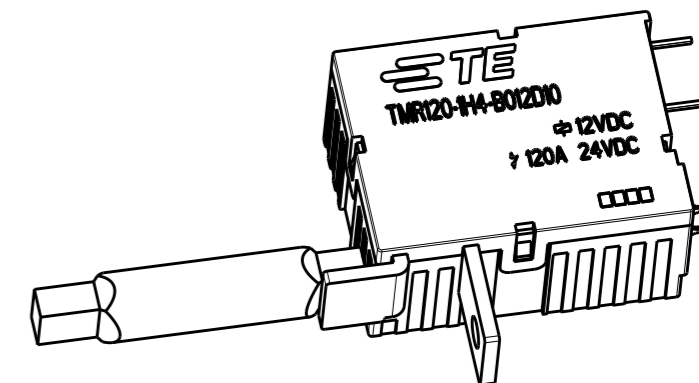
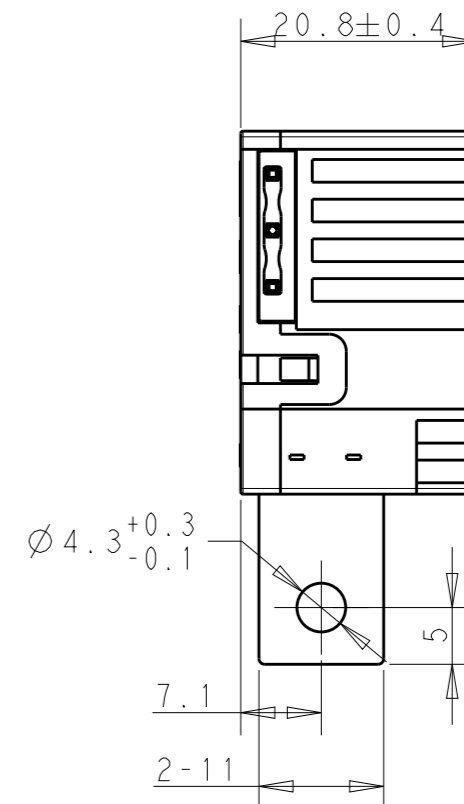
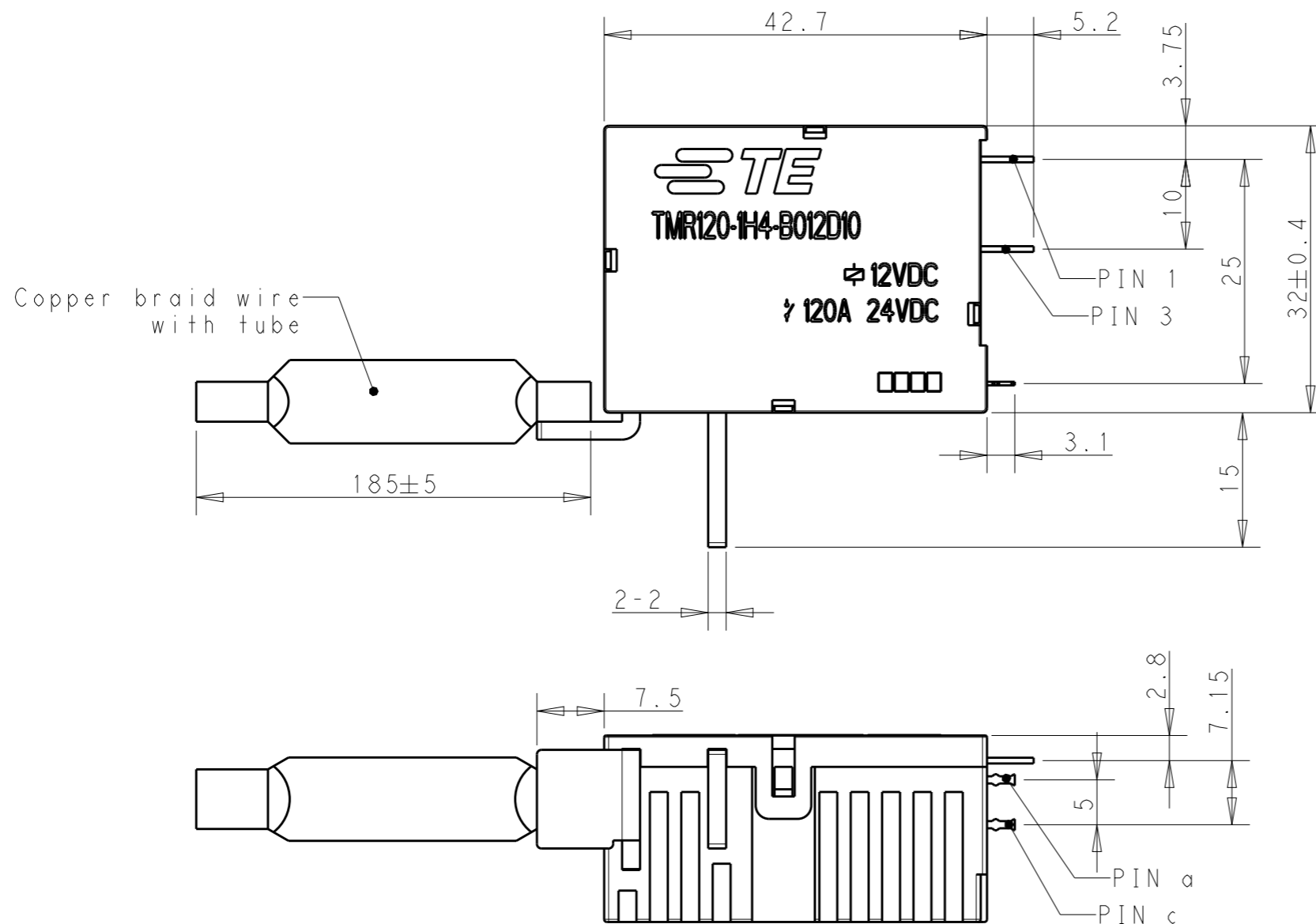


THIS DRAWING IS UNPUBLISHED. RELEASED FOR PUBLICATION 20
 © COPYRIGHT 20 BY - ALL RIGHTS RESERVED.

REVISIONS				
P	LTR	DESCRIPTION	DATE	APVD
	A	Release	24OCT2019	HL.C XN.Z

PART NUMBER	PART DESCRIPTION
2071540-1	TMR120-1H4-B012D10



NOTES:
 1. COIL POLAR.
 Operate: 1 "-" & 3 "+"
 Auxiliary switch "a" "c" ON
 Release: 1 "+" & 3 "-"
 Auxiliary switch "a" "c" OFF
 2. General tolerance.
 <=1 ±0.2
 1-5 ±0.3
 >=5 ±0.5

THIS DRAWING IS A CONTROLLED DOCUMENT.		DWN GC.Fang 27MAY2019	TE Connectivity	
DIMENSIONS: mm		CHK XN.Zhang 28-Nov-19		
		APVD Sunny.Zhang 28-Nov-19	NAME TMR120-1H4-B012D10	
TOLERANCES UNLESS OTHERWISE SPECIFIED		PRODUCT SPEC -	-	
0 PLC ±0.1 1 PLC ±0.1 2 PLC ±0.01 3 PLC ±0.001 4 PLC ±0.0001 ANGLES ±		APPLICATION SPEC -	RESTRICTED TO -	
MATERIAL -		WEIGHT -	SIZE A3	CAGE CODE 00779
FINISH -		CUSTOMER DRAWING	DRAWING NO C-2071540	SCALE 3:2
			SHEET 1 OF 1	REV A