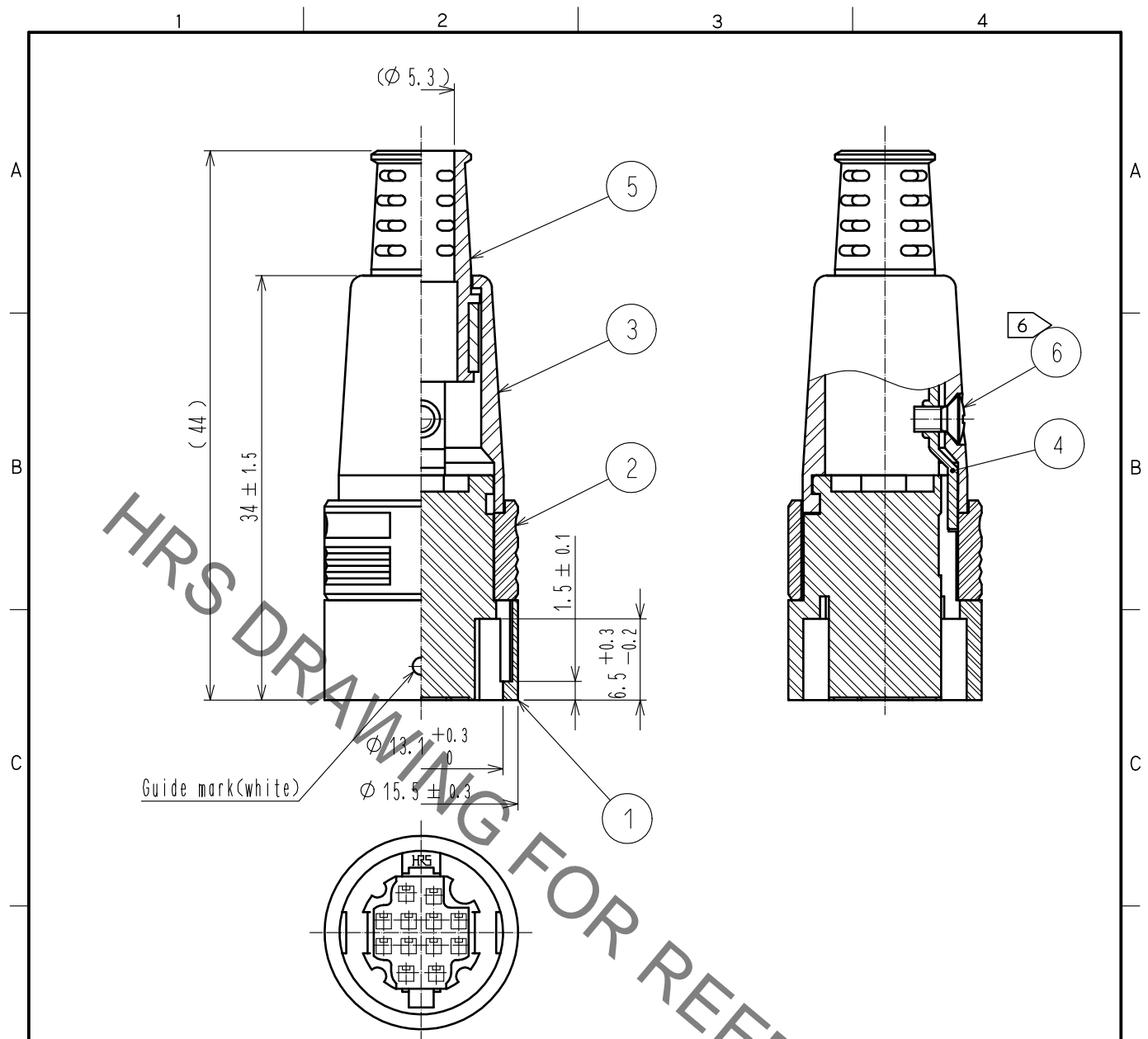


Feb.1.2021 Copyright 2021 HIROSE ELECTRIC CO., LTD. All Rights Reserved.  
In case of consideration for using Automotive equipment / device which demand high reliability, kindly contact our sales window correspondents.



- Notes
- 1 Shall be disassembled when delivered
  - 2 Applicable crimp contact:  
Contact No. 2, 11, 12  
RP17-SC-212 (Applicable cable size : AWG #18 to #22)  
Cable jacket outer diameter shall be  $\phi 1.7$ mm or less.  
Contact No. 1, 3 to 10  
RP17-SC-222 (Applicable cable size : AWG #24 to #30)  
Cable jacket outer diameter shall be  $\phi 1.2$ mm or less.
  - 3 Extraction tool : RP6-SC-TP
  - 4 Applicable cable crimping tool : RP17-TC-01
  - 5 The cable pull and twisting strength and other characteristics may differ, depending on the cable structure, please confirm before the use.
- 6 The recommended clamp torque of Ref. No. ⑥ to be 0.2N · m.

3	POLYCARBONATE	(BLACK) UL94V-0	6	BRASS	BLACK CHROMATE TREATMENT (TRIVALENT CHROMIUM)	JIS B 1111 M2×0.4×4
2	POLYCARBONATE	(BLACK) UL94V-0	5	POLYVINYLCHLORIDE	(BLACK)	
1	POLYCARBONATE	(BLACK) UL94V-0	4	BRASS		
NO.	MATERIAL	FINISH . REMARKS	NO.	MATERIAL	FINISH . REMARKS	

UNITS mm		SCALE 2 : 1	COUNT 	DESCRIPTION OF REVISIONS	DESIGNED	CHECKED	DATE
HIROSE ELECTRIC CO., LTD.				APPROVED : EJ. KUNII 16.02.12 CHECKED : EJ. KUNII 16.02.12 DESIGNED : WR. AJIRO 16.02.12 DRAWN : WR. AJIRO 16.02.12	DRAWING NO. EDC-026436-71-00 PART NO. RP17-13J-12SC(71) CODE NO. CL113-0515-5-71		