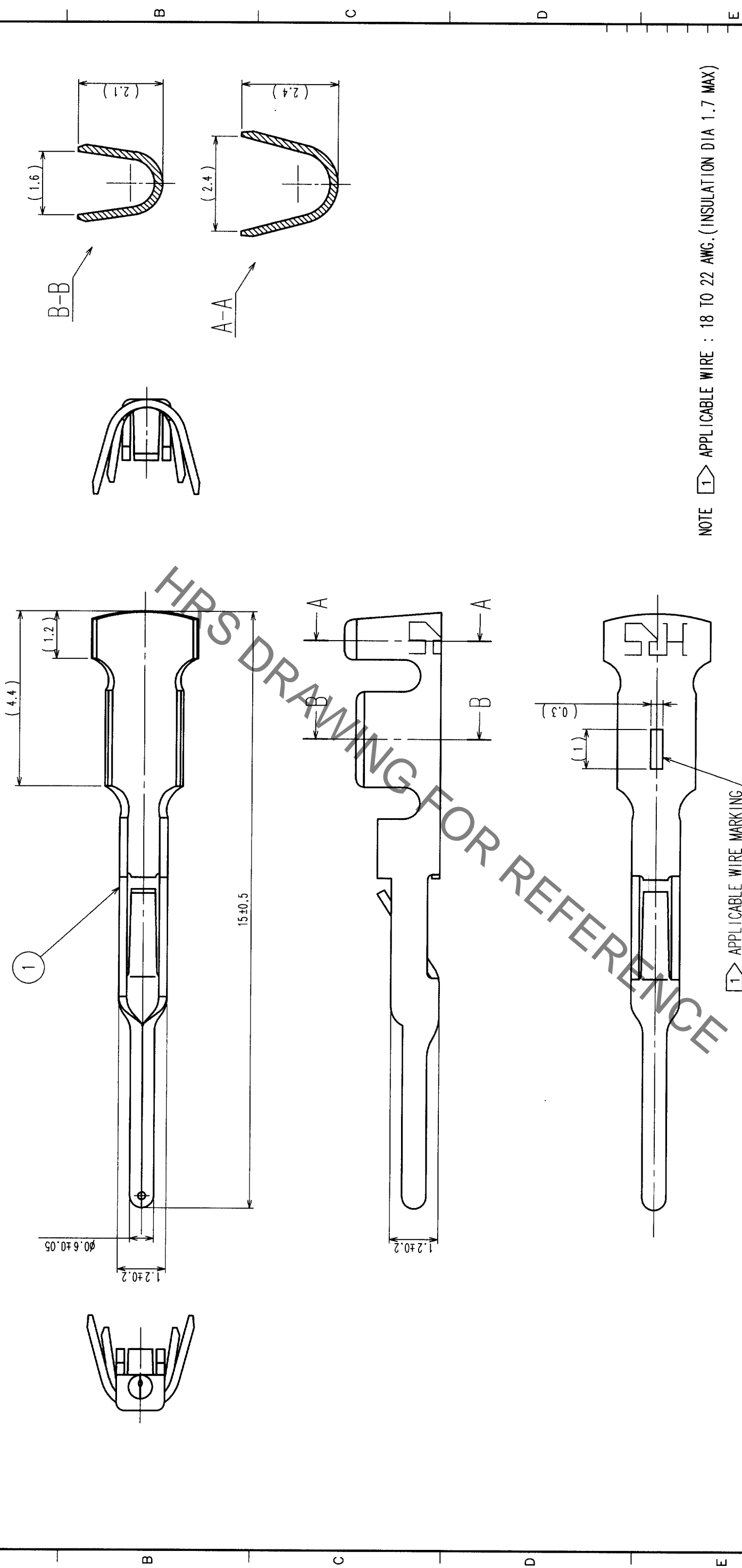


In case of consideration for using Automotive equipment / device which demand high reliability, kindly contact our sales window correspondents.

Feb.1.2021 Copyright 2021 HIROSE ELECTRIC CO., LTD. All Rights Reserved.

COUNT		DESCRIPTION OF REVISIONS		BY	CHKD	DATE
△	△					
△	△					
△	△					



NOTE 1 > APPLICABLE WIRE : 18 TO 22 AWG.(INSULATION DIA 1.7 MAX)

NO.	PHOSPHOR BRONZE	SILVER PLATING	4μm min. (QUANTITY:100)	FINISH, REMARKS	NO.	MATERIAL	FINISH, REMARKS
1							

CODE NO. (OLD)	CL	DRAWN	DESIGNED	CHECKED	APPROVED	RELEASED
		Y. Yamada	Y. Yamada	E. Kunita	M. Oshibida	
		02-10-17	02-10-17	02-10-17	02-10-18	

DRAWING NO.	PART NO.
EDC3-010237	RP17-PC-112

SCALE	UNITS	CODE NO.
10 : 1	mm	CL113-0503-6

TO R