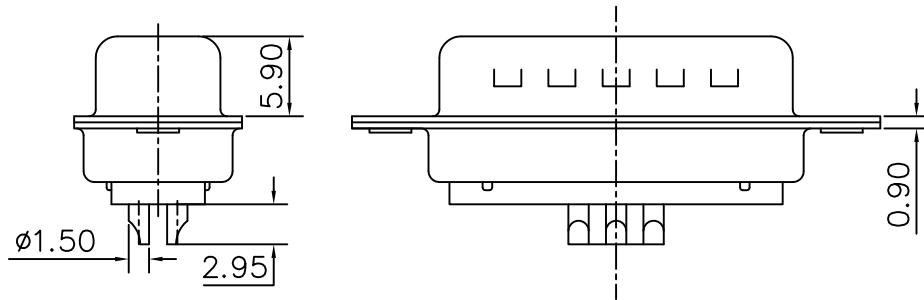
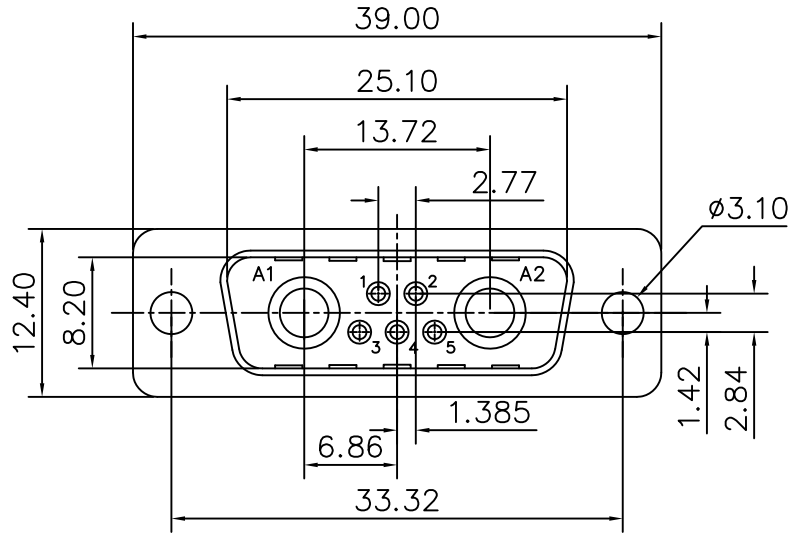


This document is the property of Amphenol Corporation and is delivered on the express condition that it is not to be disclosed, reproduced or used, in whole or in part, for manufacture or sale by anyone other than Amphenol Corporation without its prior consent, & that no right is granted to disclose or to use any information in this document.



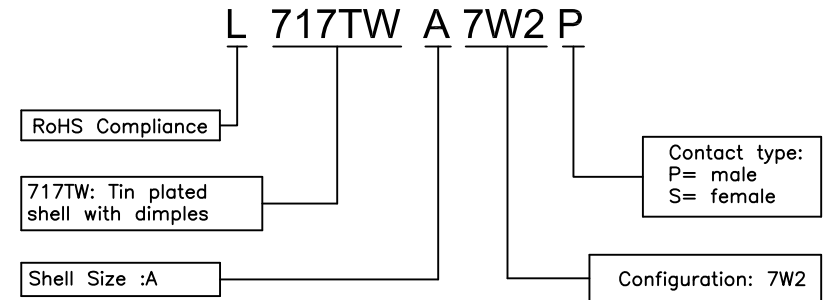
Customer drawing

REVISIONS				
SYM	ECN	DESCRIPTION	DATE	APPROVED
1	HK--	First Release Drawing	05/30/07	IP

D-SUB TECHNICAL DATA

SHELL : Steel 2.5um(100u") min tin over 1.25um(50u") min nickel
 BODY : Glass filled thermoplastic
 Flame retardant to UL94 V-0,Color Black.
 CONTACT: Brass, 0.4um (15u") gold over 1.25um(50u") min Nickel
 ELECTRICAL : Voltage rating 300 V RMS at 50 Hz
 Current rating 7.5A
 Withstanding Voltage >1000 V RMS at 50 Hz for one minute
 Insulation resistance >5000 M Ohms
 Contact resistance 20 mOhms max.
 CLIMATIC : Temperature range -55 °C up to +155°C
 Damp heat 56 days(40 °C-95% HR)
 MARKING : Amphenol-...(Series No.)
 Commercial reference
 Manufacturing date

PRODUCT CODE



UNLESS OTHERWISE SPECIFIED TOLERANCES		APPROVAL		DATE
U.S.	METRIC	DRAWN	Checked	
.X +/-	0.50	Lisa.peng		5/30/07
.XX +/-	0.30	Checked	tk.wang	5/30/07
.XXX +/-	0.20	Checked		
FRACTIONS +/-		DRAWING FILE :		
ANGLES +/-	5°	ANGLE OF PROJECTION		
FOR MATERIALS AND FINISHES SEE NOTES				
REMOVE SHARP EDGES				
DIMENSIONS				
U.S.	INCHES			
METRIC	MM			

Amphenol		
Amphenol East Asia Limited		
TITLE		
Hybrid connector, TW series		
SIZE	DRAWING NO.	REV.
A4	C L717TWA7W2P	1
SCALE	NONE	SHEET 1 OF 1