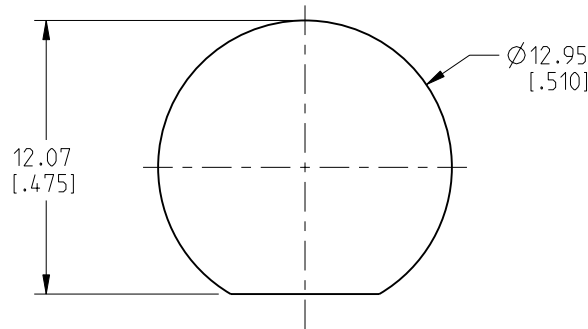


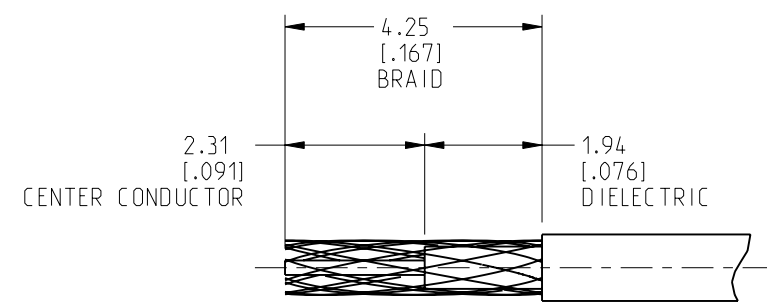
NOTES:

1. MATERIALS AND FINISHES:
 BODY - BRASS, ELECTROLESS NICKEL PLATING
 CONTACT - PHOSPHOR BRONZE, GOLD PLATING
 BULLET CONTACT - BRASS, GOLD PLATING
 FERRULE - BRASS, NICKEL PLATING
 INSULATOR - PTFE, NATURAL
 O-RING - SILICONE RUBBER, RED
2. ELECTRICAL:
 A. IMPEDANCE: 50 OHM
 B. FREQUENCY RANGE: DC-6 GHz
 C. VSWR(RETURN LOSS): 1.25 (-19.1 dB), MAX. @ DC-3 GHz
 D. DIELECTRIC WITHSTANDING VOLTAGE: 200 VRMS, MIN.
3. MECHANICAL:
 A. DURABILITY: 500 CYCLES MIN.
 B. TEMPERATURE RANGE: -65°C TO +165°C
4. PACKAGING:
 A. QUANTITY: SINGLE PACK
 B. MARKING: PACKAGING TO BE MARKED
 "AMPHENOL RF, 31-6900, AND DATE CODE"
5. CABLE ASSEMBLY INSTRUCTIONS:
 A. STRIP CABLE TO DIMENSIONS SHOWN.
 B. INSERT THROUGH INNER FERRULE AND PEEL BRAID
 BACK OVER INNER FERRULE.
 C. INSTALL INSULATOR DISC OVER CABLE DIELECTRIC,
 BOTTOMING ON BRAID.
 D. SOLDER BULLET CONTACT TO CABLE CENTER CONDUCTOR,
 BOTTOMING ON INSULATOR DISC.
 E. INSERT CABLE INTO CONNECTOR UNTIL IT BOTTOMS.
 F. CRIMP BODY OVER INNER FERRULE USING .105" HEX.
6. SHOWS CABLE ENTRY DIMENSIONS
7. RECOMMENDED MOUNTING TORQUE: 8-10 INCH-POUNDS

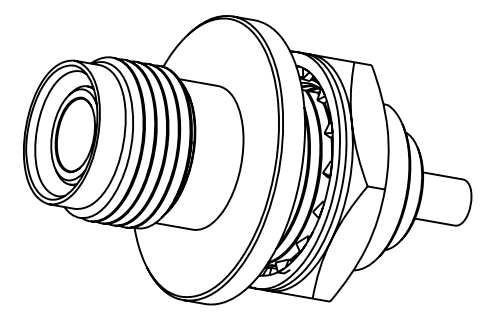
REVISIONS				
REV	DESCRIPTION	DATE	ECN	BY
A	RELEASE TO MFG.	4-DEC-20	15355	S.HSIEH



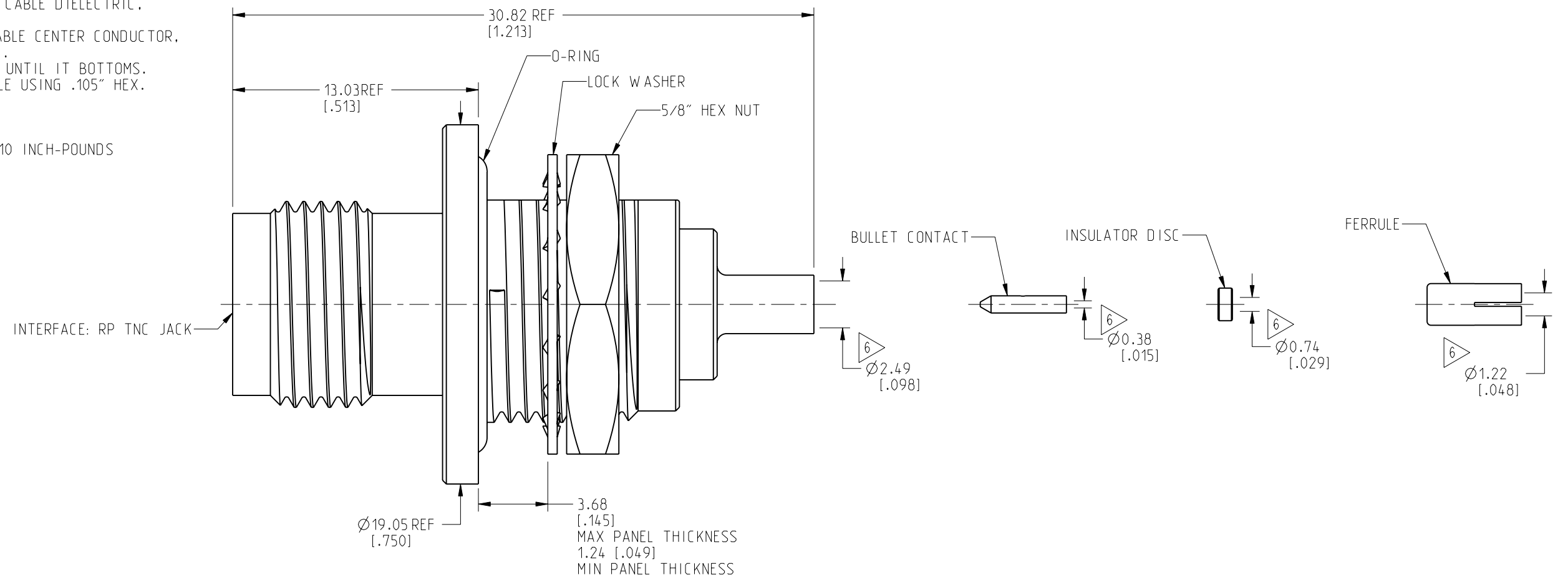
RECOMMENDED MOUNTING HOLE



RECOMMENDED CABLE STRIPPING DIMENSIONS



SCALE 2.000



CUSTOMER OUTLINE DRAWING
 ALL OTHER SHEETS ARE FOR INTERNAL USE ONLY

NOTICE: These drawings, specifications, or other data (1) are, and remain the property of Amphenol corp. (2) must be returned upon request; and (3) are confidential and not to be disclosed to any person other than those to whom they are given by Amphenol Corp. The furnishing of these drawings, specifications, or other data by Amphenol Corp., or to any other person to anyone for any purpose is not to be regarded by implication or otherwise in any manner licensing, granting rights to permitting such holder or any other person to manufacture, use or sell any product, process or design, patented or otherwise, that may in any way be related to or disclosed by said drawings, specifications, or other data.		UNLESS OTHERWISE SPECIFIED DIMENSIONS ARE METRIC (INCHES) AND TOLERANCES ARE: <0.5mm = ±0.05mm [-0.020 = ±0.002] >0.5 - 6mm = ±0.1mm [>0.020 - 0.236 = ±0.004] >6.00 - 30mm = ±0.2mm [>0.236 - 1.181 = ±0.008] >30.00 - 120mm = ±0.3mm [>1.181 - 4.725 = ±0.012]		MATERIAL ENGINEER E.W.U		TITLE RP TNC BHD JACK FRONT MOUNT FOR 1.13MM CABLE IP67		Amphenol RF	
THIRD ANGLE PROJ.		REFERENCE		EAR# 9580		DATE 3-DEC-20		SHEET NO. 2 OF 2	
ANGLE = ±1°		SCALE: 4.0:1.0		DRAWING NO. 31-6900		ITEM NO. 31-6900		PART NO. 31-6900	
SIZE B		REV A							