

4

3

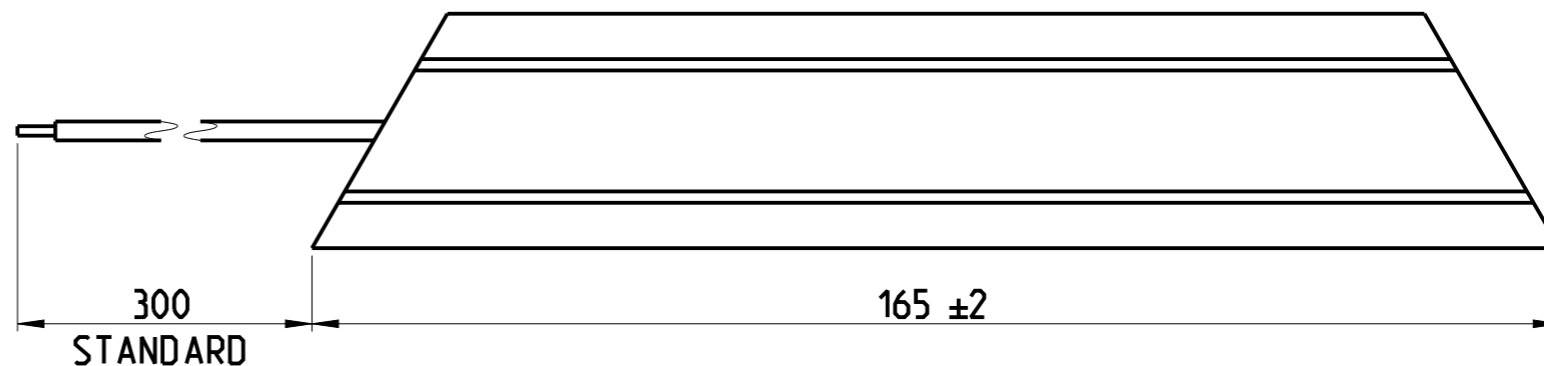
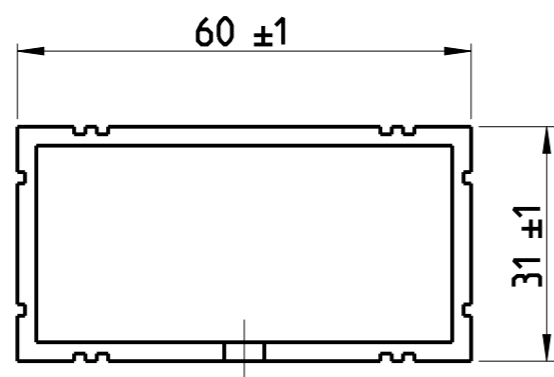
2

1

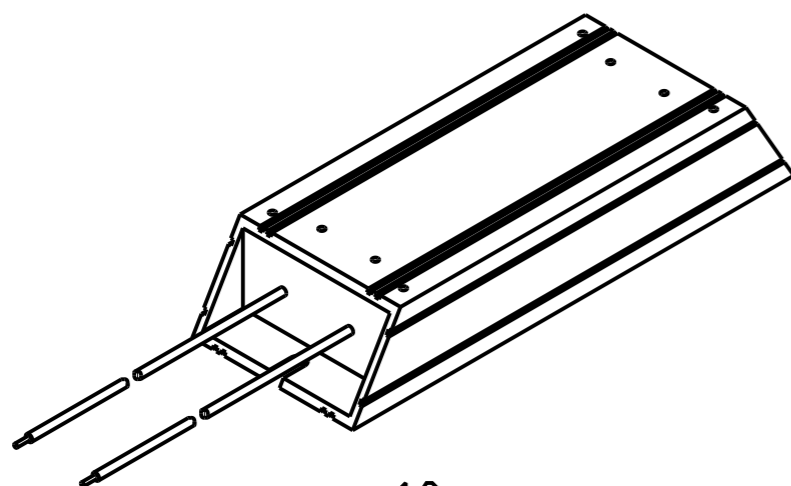
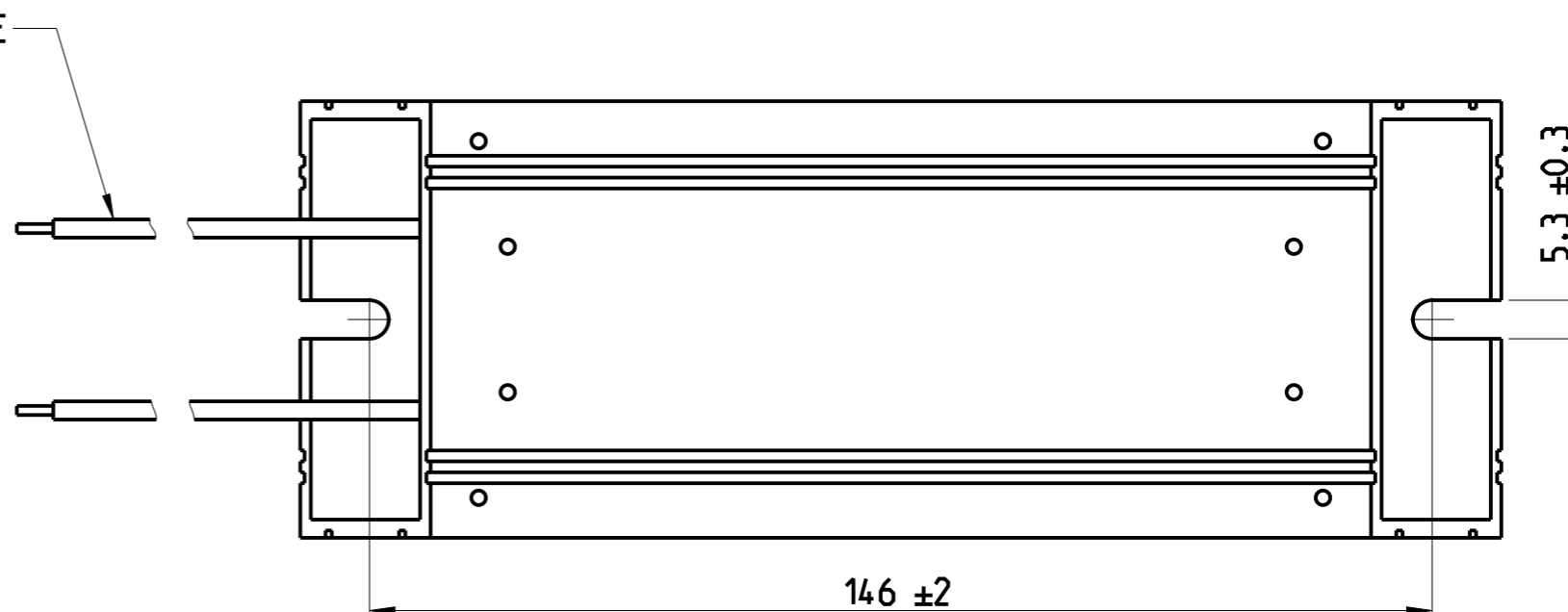
© 2021 TE Connectivity. All Rights Reserved.

REVISIONS

P	LTR	DESCRIPTION	DATE	DWN	APVD
	A	INITIAL RELEASE	06FEB2021	SR	AP



PTFE INSULATED CABLE



1:2  
ISO


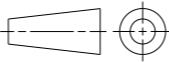
THIS DRAWING IS A CONTROLLED DOCUMENT.		DWN SUPREETH R 06FEB2021		
		CHK A. PILE 06FEB2021		
		APVD A. PILE 06FEB2021	NAME Aluminium Housed Breaking Resistor Type HCH165	
DIMENSIONS: mm		PRODUCT SPEC -	RESTRICTED TO -	
TOLERANCES UNLESS OTHERWISE SPECIFIED:		APPLICATION SPEC -	SIZE A3	CAGE CODE 00779
0 PLC    Ψ		WEIGHT -	DRAWING NO C-2176463	
1 PLC    Ψ				
2 PLC    Ψ				
3 PLC    Ψ				
4 PLC    Ψ				
ANGLES    Ψ				
MATERIAL -			SCALE 1:1	SHEET 1 OF 2
FINISH -				REV A
CUSTOMER DRAWING				

REVISIONS

P	LTR	DESCRIPTION	DATE	DWN	APVD
-		SEE SHEET 1	-	-	-

# SCHEDULE

TCPN	PRODUCT NUMBER	MATERIAL DESCRIPTION	LEAD LENGTH
2176463-1	HCH165J6R8J	HCH165 200W 6R8 5% LEAD	300mm
2176463-2	HCH165J10RJ	HCH165 200W 10R 5% LEAD	300mm
2176463-3	HCH165J22RJ	HCH165 200W 22R 5% LEAD	300mm
2176463-4	HCH165J33RJ	HCH165 200W 33R 5% LEAD	300mm
2176463-5	HCH165J47RJ	HCH165 200W 47R 5% LEAD	300mm
2176463-6	HCH165J68RJ	HCH165 200W 68R 5% LEAD	300mm
2176463-7	HCH165J82RJ	HCH165 200W 82R 5% LEAD	300mm
2176463-8	HCH165J100RJ	HCH165 200W 100R 5% LEAD	300mm
2176463-9	HCH165J220RJ	HCH165 200W 220R 5% LEAD	300mm

THIS DRAWING IS A CONTROLLED DOCUMENT.		DWN SUPREETH R 06FEB2021	 <b>TE Connectivity</b>	
DIMENSIONS: mm		CHK A. PILE 06FEB2021		
		APVD A. PILE 06FEB2021	NAME Aluminium Housed Breaking Resistor Type HCH165	
TOLERANCES UNLESS OTHERWISE SPECIFIED:		PRODUCT SPEC	RESTRICTED TO	
0 PLC ±		-	SIZE	CAGE CODE
1 PLC ±		APPLICATION SPEC	A3	00779
2 PLC ±		-	DRAWING NO	C-2176463
3 PLC ±		WEIGHT	-	
4 PLC ±		CUSTOMER DRAWING	SCALE	SHEET
ANGLES ±		-	1:1	2 OF 2
FINISH		-	REV	A