

NOTE:

- 1.MATERIALS : REFER TO TABLE2;
- 2.PACKAGING SPEC: REFER TO PK OF 2165891000;
- 3.PRODUCT SPEC: REFER TO PS OF 2165891000;
- 4.APPLICATION SPEC: REFER TO AS OF 2165891000.

REV	CHANGE HISTORY	DATE
A	FIRST RELEASE	20200826
B	UPDATE VHB TYPE	20200917
B1	UPDATE SHRINK TUBE COLOR INFORMATIOIN	20201214

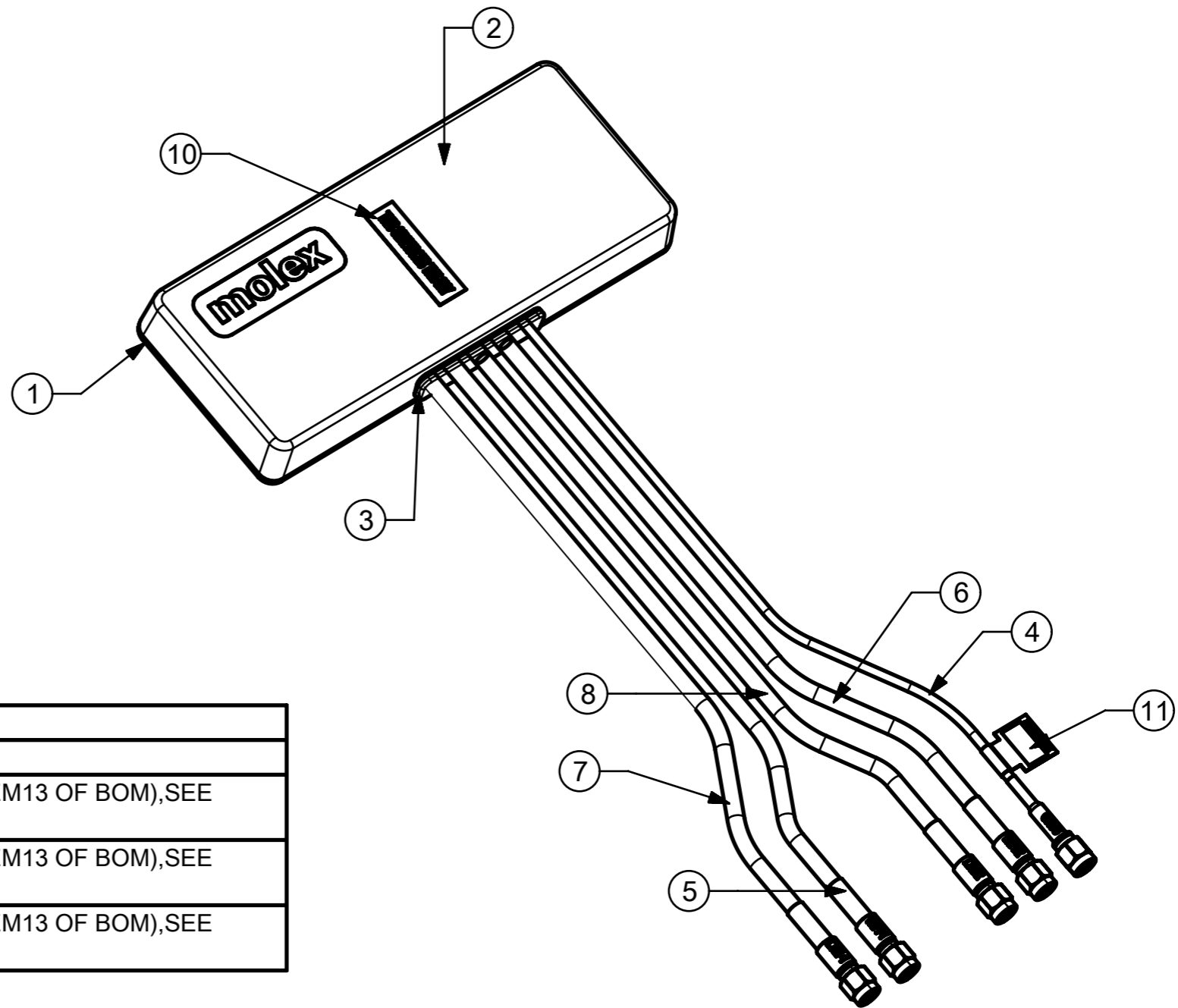


TABLE1

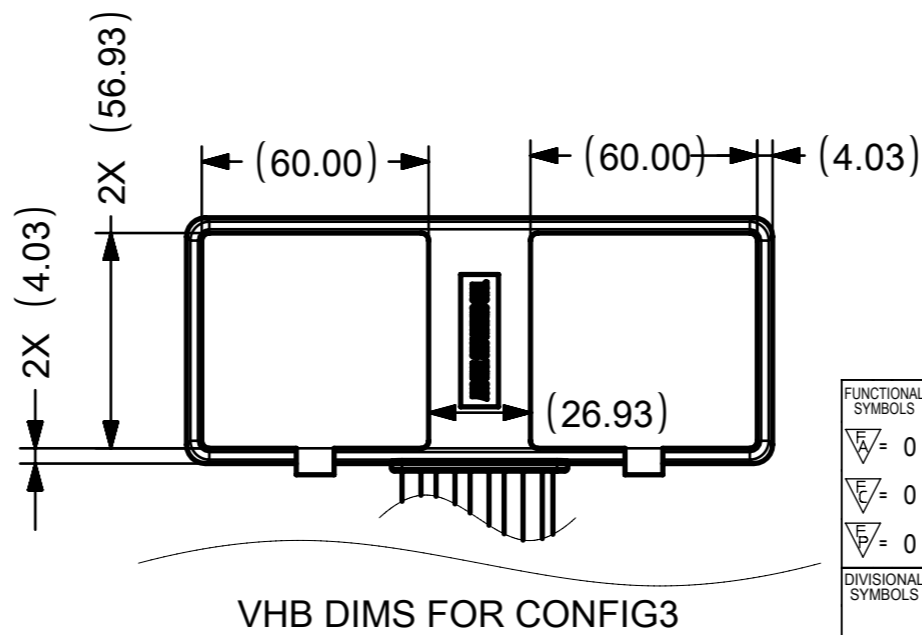
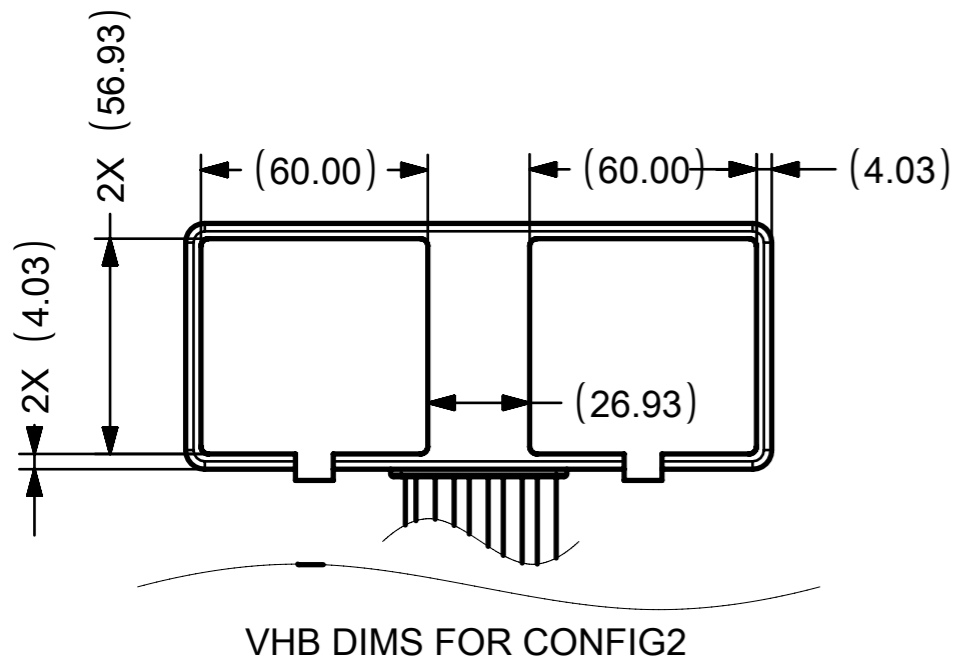
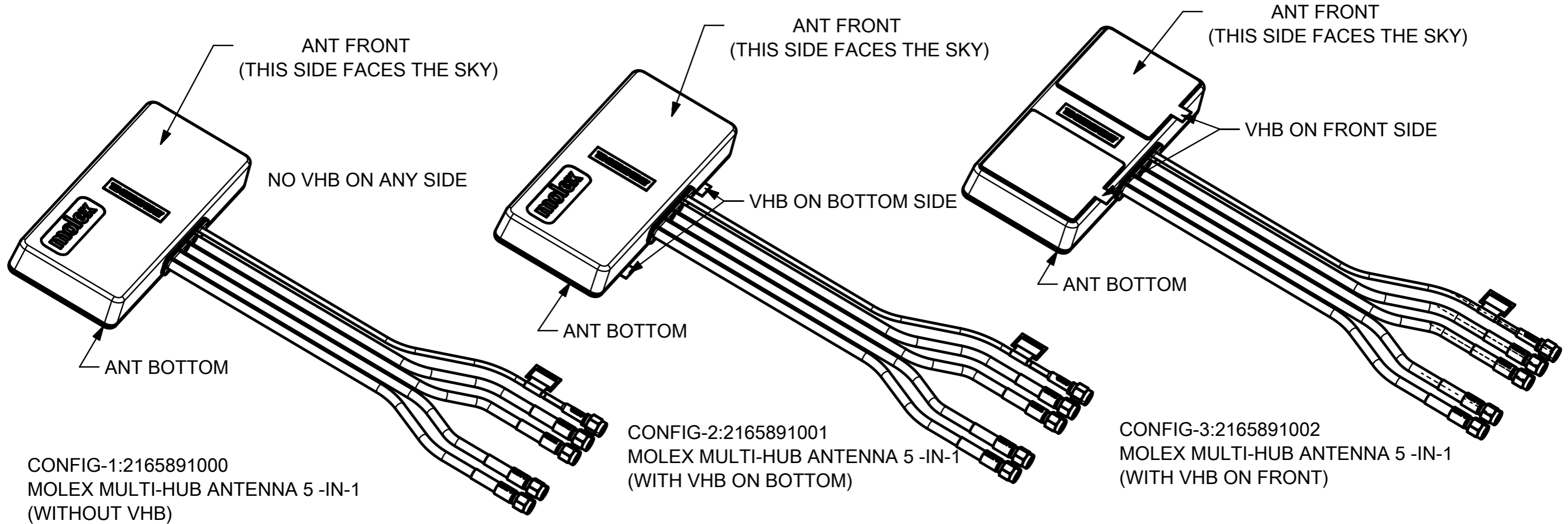
FINISH GOODS PN FOR DIFFERENT CONFIGS			
CONFIGS	PN	DESCRIPTION	NOTES
CONFIG-1	2165891000	MOLEX MULTI-HUB ANTENNA 5 -IN-1(WITHOUT VHB)	WITHOUT ANT VHB(ITEM13 OF BOM),SEE SHEET2 FOR DETAIL
CONFIG-2	2165891001	MOLEX MULTI-HUB ANTENNA 5 -IN-1(WITH VHB ON BOTTOM)	WITHOUT ANT VHB(ITEM13 OF BOM),SEE SHEET2 FOR DETAIL
CONFIG-3	2165891002	MOLEX MULTI-HUB ANTENNA 5 -IN-1(WITH VHB ON FRONT)	WITHOUT ANT VHB(ITEM13 OF BOM),SEE SHEET2 FOR DETAIL

TABLE2

ITEM	DESCRIPTION	MATERIAL	QTY
1	TOP COVER	PC/ABS ,BLACK	1
2	BOTTOM HOUSING	PC/ABS ,BLACK	1
3	SIDE CAP FOR 5 IN 1	SILICONE ,BLACK	1
4	5 IN 1 CABLE ASSY FOR GNSS	RG174L CABLE,SMA(M) ST,TUBE-BLACK,TEXT-WHITE	1
5	5 IN 1 CABLE ASSY FOR WIFI1	LMR200 CABLE,SMA(M) ST, TUBE-BLACK,TEXT-WHITE	1
6	5 IN 1 CABLE ASSY FOR WIFI2	LMR200 CABLE,SMA(M) ST, TUBE-BLACK,TEXT-WHITE	1
7	5 IN 1 CABLE ASSY FOR LTE1	LMR200 CABLE,SMA(M) ST, TUBE-BLACK,TEXT-WHITE	1
8	5 IN 1 CABLE ASSY FOR LTE2	LMR200 CABLE,SMA(M) ST, TUBE-BLACK,TEXT-WHITE	1
(9)	VHB FOR ANT(OPTIONAL,SEE SHEET2)	VHB F5120B,1.2MM	2
10	GNSS DIRECTIONAL LABEL	PAPER	1
11	ANT TRACKER LABEL	PAPER	1

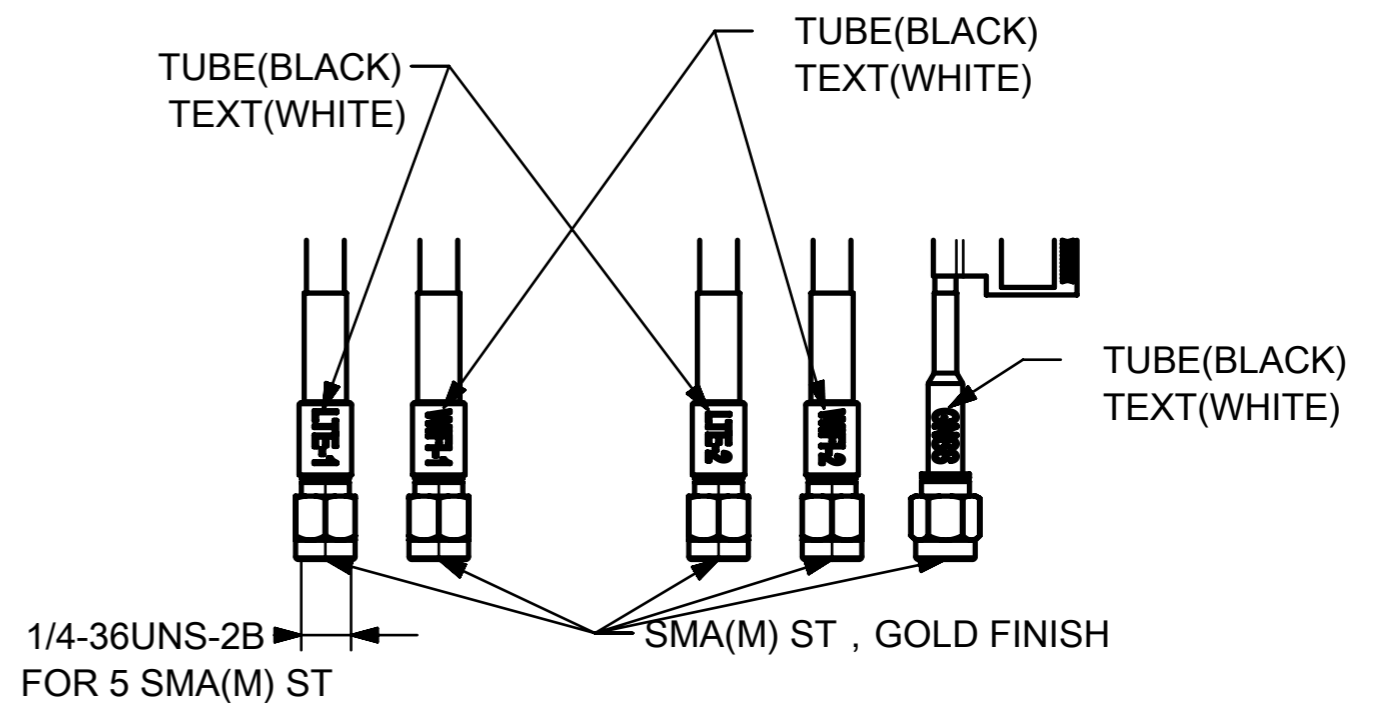
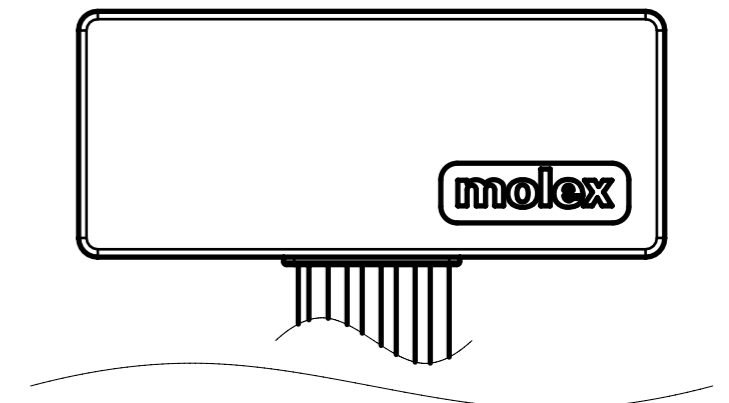
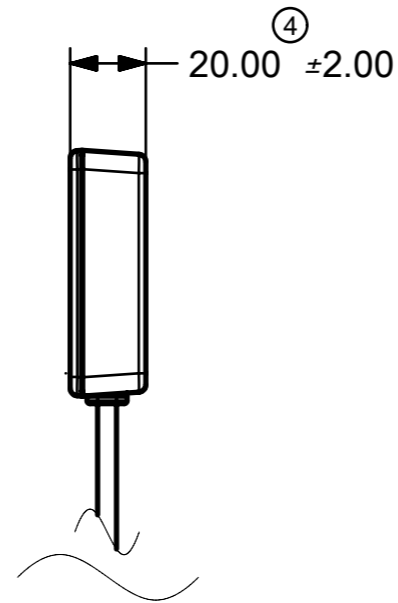
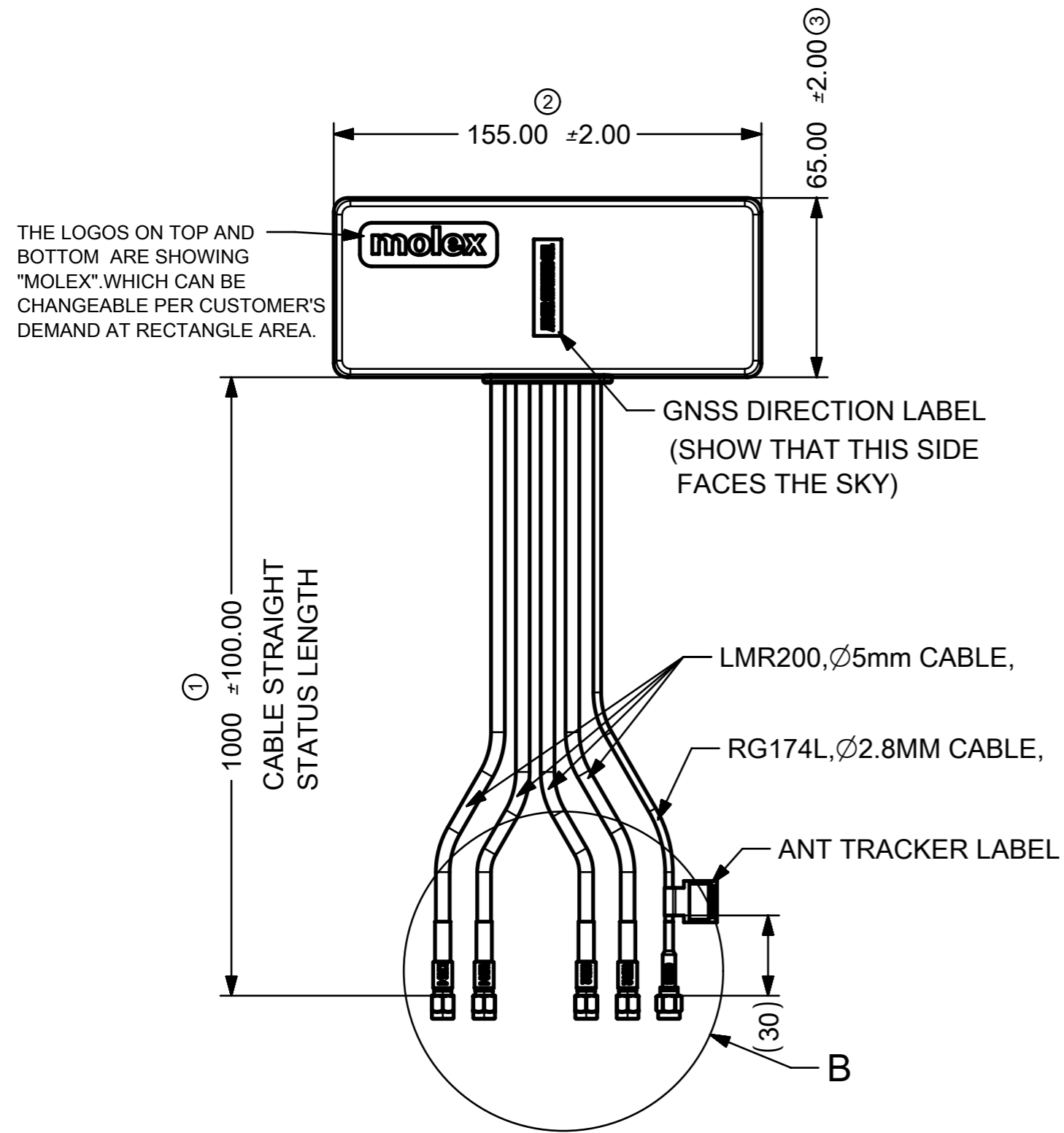
SYMBOLS		THIS DRAWING CONTAINS INFORMATION THAT IS PROPRIETARY TO MOLEX ELECTRONIC TECHNOLOGIES, LLC AND SHOULD NOT BE USED WITHOUT WRITTEN PERMISSION	
▽ = 0	DIMENSION UNITS	SCALE	CURRENT REV DESC:
▽ = 0	mm		molex MOLEX MULTI-HUB ANTENNA 5-IN-1 PRODUCT CUSTOMER DRAWING
▽ = 0	GENERAL TOLERANCES (UNLESS SPECIFIED)		
▽ = 0	ANGULAR TOL	± °	EC NO: 648462 DRWN: CZHOU05 2020/12/14 CHK'D: AYIN 2020/12/16 APPR: AYIN 2020/12/16
▽ = 0	4 PLACES	±	INITIAL REVISION: DRWN: CZHOU05 2020/08/31 APPR: XJSONG 2020/08/31
▽ = 0	3 PLACES	±	
▽ = 0	2 PLACES	±	DOCUMENT NUMBER: 2165891000 DOC TYPE: PSD DOC PART: 000 REVISION: B1
▽ = 0	1 PLACE	±	MATERIAL NUMBER: SEE TABLE CUSTOMER: 1 OF 3
▽ = 0	0 PLACES	±	
▽ = 0	DRAFT WHERE APPLICABLE MUST REMAIN WITHIN DIMENSIONS		THIRD ANGLE PROJECTION DRAWING: A3-SIZE SERIES: 216589

CUSTOMER CAN CHOOSE CONFIG1,2 OR 3 PER THEIR MOUNTING LOCATION



FUNCTIONAL SYMBOLS	THIS DRAWING CONTAINS INFORMATION THAT IS PROPRIETARY TO MOLEX ELECTRONIC TECHNOLOGIES, LLC AND SHOULD NOT BE USED WITHOUT WRITTEN PERMISSION		CURRENT REV DESC:		molex
	MM	SCALE			
DIVISIONAL SYMBOLS	GENERAL TOLERANCES (UNLESS SPECIFIED)		EC NO: 648462		MOLEX MULTI-HUB ANTENNA 5-IN-1
	ANGULAR TOL	± °	DRWN: CZHOU05	2020/12/14	
	4 PLACES	±	CHK'D: AYIN	2020/12/16	
	3 PLACES	±	APPR: AYIN	2020/12/16	
	2 PLACES	±	INITIAL REVISION:		
	1 PLACE	±	DRWN: CZHOU05	2020/08/31	
0 PLACES	±	APPR: XJSONG	2020/08/31		
DRAFT WHERE APPLICABLE MUST REMAIN WITHIN DIMENSIONS		THIRD ANGLE PROJECTION	DRAWING	SERIES	DOCUMENT NUMBER
			A3-SIZE	216589	2165891000
				MATERIAL NUMBER	CUSTOMER
					DOC TYPE DOC PART REVISION
					PSD 000 B1
					SHEET NUMBER
					2 OF 3

ANT FINISH GOODS WITHOUT VHB



DETAIL B
SCALE 1:1

ANT TRACKER LABEL QR CODE CONTENT DEFINITION

XXXXXXXXXXCCCCCYMMDD	MEANS	EXAMPLE
XXXXXXXXXX	MOLEX PN	2165891000, OR 2165891001, OR 2165891002
CCCCC	SERIAL NO.	00000-99999
YY	DATE FOR YEAR	18=2018
MMDD	MONTH AND DAY	0301=THE FIRST DAY OF MARCH

FUNCTIONAL SYMBOLS	THIS DRAWING CONTAINS INFORMATION THAT IS PROPRIETARY TO MOLEX ELECTRONIC TECHNOLOGIES, LLC AND SHOULD NOT BE USED WITHOUT WRITTEN PERMISSION		CURRENT REV DESC:		molex
△/A = 0	mm	SCALE	EC NO: 648462		
△/E = 0	GENERAL TOLERANCES (UNLESS SPECIFIED)		DRWN: CZHOU05		MOLEX MULTI-HUB ANTENNA 5-IN-1
△/V = 0	ANGULAR TOL ± °		2020/12/14		PRODUCT CUSTOMER DRAWING
DIVISIONAL SYMBOLS	4 PLACES ±		CHK'D: AYIN		
	3 PLACES ±		APPR: AYIN		DOCUMENT NUMBER
	2 PLACES ±		INITIAL REVISION:		DOC TYPE
	1 PLACE ±		DRWN: CZHOU05		DOC PART
	0 PLACES ±		APPR: XJSONG		REVISION
DRAFT WHERE APPLICABLE MUST REMAIN WITHIN DIMENSIONS	THIRD ANGLE PROJECTION	DRAWING	SERIES	MATERIAL NUMBER	CUSTOMER
		A3-SIZE	216589	2165891000	PSD 000 B1
					SHEET NUMBER
					3 OF 3