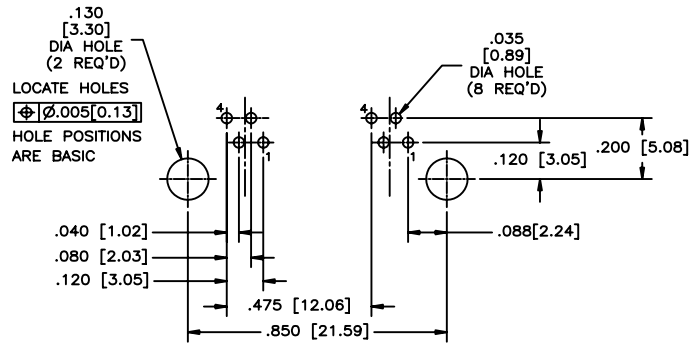
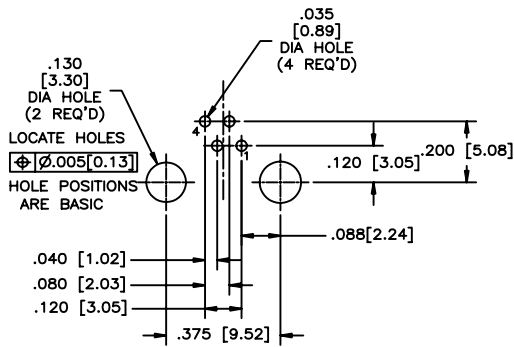
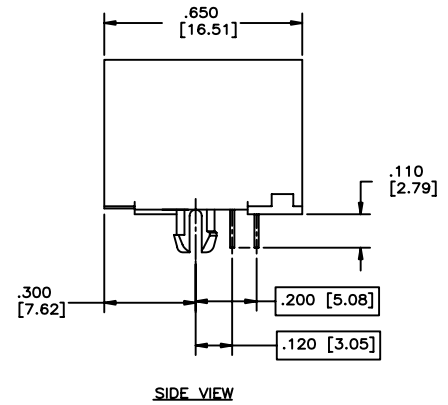
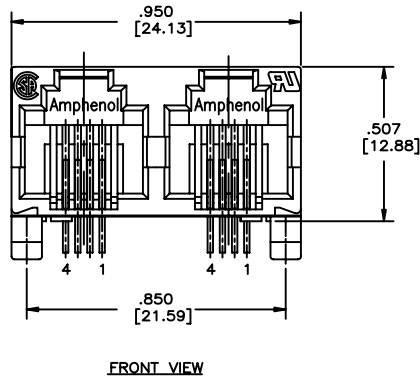
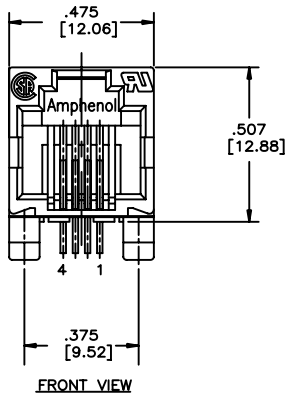


REVISIONS				
SYM	ZONE	ECN, ERN NO.	DATE	APPRD.
A		ECN E07100	APR.09.07	L.CHAN



MATERIALS:

PLASTIC HOUSING: HIGH TEMPERATURE THERMOPLASTIC
FLAMMABILITY RATING UL 94V-0.
COLOR: BLACK

CONTACTS: PHOSPHOR BRONZE

CONTACT PLATING: 30 u" [0.76 MICRONS] MIN. GOLD ON MATING SURFACES.
50 u" [1.27 MICRONS] MIN. NICKEL UNDERPLATE.
100 u" [2.54 MICRONS] MIN. MATTE TIN ON CONTACT TAILS.

AMPHENOL PART NUMBER: R J E 0 1 - J 4 0 - 0 X X

1 = 1 PORTS
2 = 2 PORTS

BLANK = STANDARD PACKING (CURRENTLY TRAY)
B = TUBE PACKING REQUIRED

THIS DOCUMENT CONTAINS PROPRIETARY INFORMATION AND SUCH INFORMATION
MAY NOT BE DISCLOSED TO OTHERS FOR ANY PURPOSE OR USED FOR MANUFACTURING
PURPOSES WITHOUT WRITTEN PERMISSION FROM AMPHENOL CANADA CORP.

DRAWN	LUO W W	DATE	APR.09.07
DESIGNED			
CHECKED	Jeff OU	DATE	APR.09.07
I. E. APPRD.	YM	DATE	APR.09.07
Q. A. APPRD.			
DWG. APPRD.			
ENG. REL. NO.	ECN E07100		
REF.	EAR A070313		
DIMENSIONS ARE IN		CODE ID. NO.	
INCHES [mm]		03554	

Amphenol Canada Corp.

TITLE RJE01 SERIES HIGH SPEED MODULAR JACK,
1 & 2 PORT, 6 POSITIONS, 4 CONTACTS,
WITHOUT SHIELD - RoHS COMPLIANT

DWG DRAWING NO. P-RJE01-J40-0XX **REV.** A

SCALE **WT.** **SURF.** **SHEET 1 OF 1**