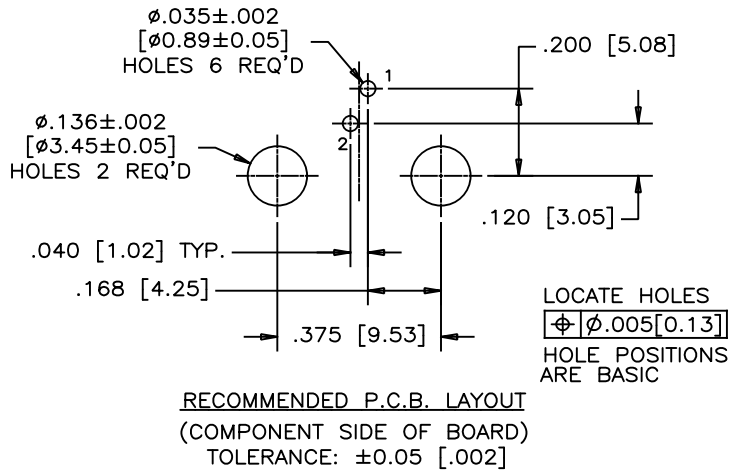
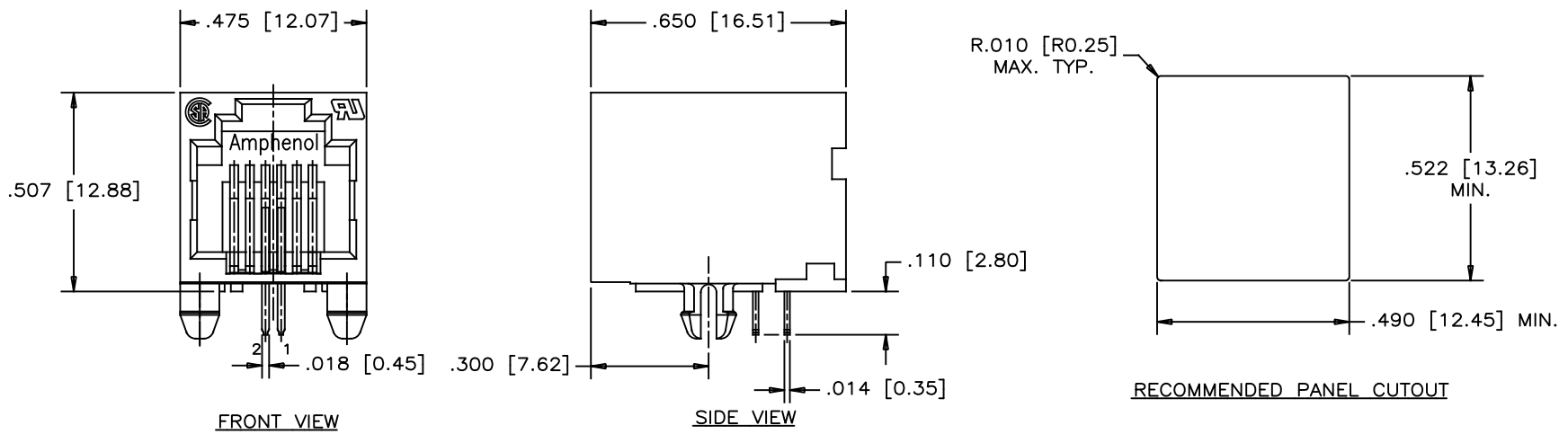


REVISIONS			
REV	DESCRIPTION, ECN, EAR NO.	DATE	APP'D
A	PROPOSAL	MAY 07/18	L.CHAN
B	ADD CONTACT WIDTH AND THICKNESS DIMENSION & PACKAGE DRAWING	DCE 07/20	L.CHAN
C	UPDATING PACKAGE QUANTITY	JAN 28/21	KELVIN.T



MATERIALS:

PLASTIC HOUSING: HIGH TEMPERATURE RESISTANT NYLON
UL FLAMMABILITY 94V-0. COLOUR: BLACK.
SOLDER REFLOW PROCESS COMPATIBLE

CONTACT: PHOSPHOR BRONZE

CONTACT PLATING: SELECTIVE GOLD PLATING ON MATING SURFACES
SEE AMPHENOL PART NUMBER FOR DETAIL.
100 MICRONS [2.54 MICRONS] MINIMUM TIN ALLOY
ON CONTACT TAILS.

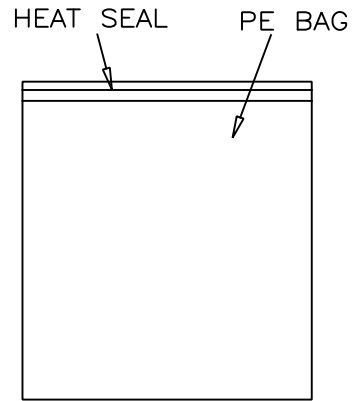
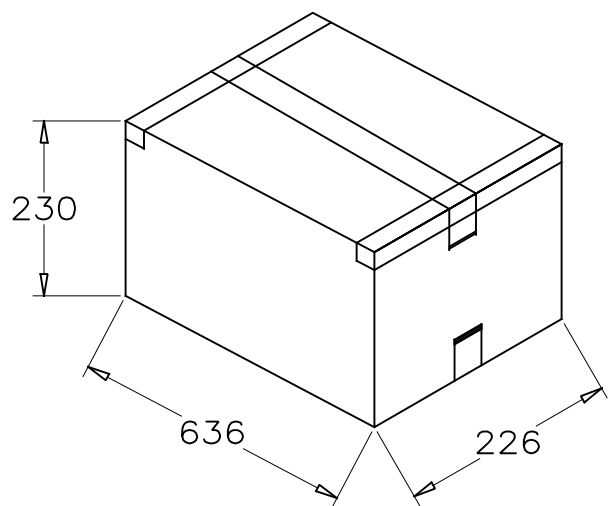
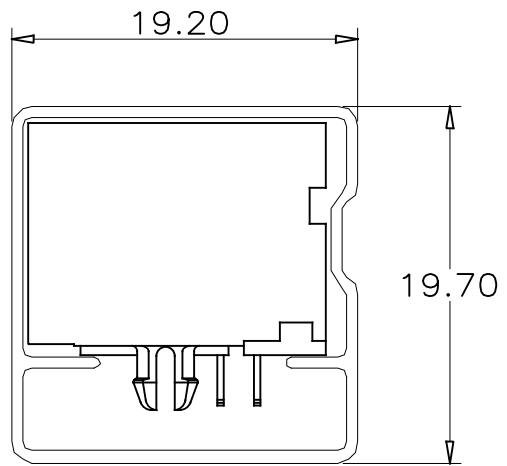
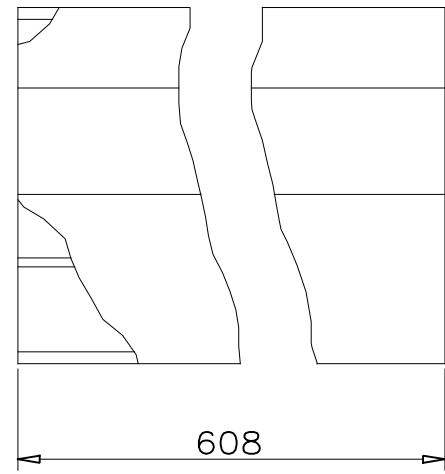
AMPHENOL PART NUMBER: P-RJE01-X20-01

- GOLD PLATING
- 1 = 6 μ "
 - 6 = 50 μ "
 - G = 15 μ "
 - J = 30 μ "



UNLESS SPECIFIED OTHERWISE		DRAWN <i>HANSON.C</i>	MAY 07/18	Amphenol Canada Corp. Commercial Products	
PRIMARY UNITS INCHES	CHECKED <i>L.CHAN</i>	MAY 07/18			
SECONDARY MILLIMETERS	M.E. APP'D			HIGH SPEED MODULAR JACK SINGLE PORT, 6 POSITIONS, 2 CONTACTS, WITHOUT SHIELD - RoHS COMPLIANT	
REFERENCE IN PARENTHESES	Q.A. APP'D				
GENERAL TOLERANCES		DWG APP'D			
1 DECIMAL PLACE	± 0.38	ENG. REL. NO. XX		DWG NO.	
2 DECIMAL PLACES	± 0.25	REF.		P-RJE01-X20-01	
3 DECIMAL PLACES	± 0.20			REV	
ANGULAR DEGREES	$\pm 1.5^\circ$	THIRD ANGLE PROJECTION	DO NOT SCALE DRAWING	C	
		CODE ID NO. 03554	DWG SIZE X	SCALE N/A	SHEET 1 OF 2

REVISIONS			
REV	DESCRIPTION, ECN, EAR NO.	DATE	APP'D
A	PROPOSAL	MAY 07/18	L.CHAN
B	ADD CONTACT WIDTH AND THICKNESS DIMENSION&PACKAGE DRAWING	DCE 07/20	L.CHAN
C	UPDATING PACKAGE QUANTITY	JAN 28/21	KELVIN.T



PACKAGING NOTES:
 1. ONE TUBE SHOULD HOLD 48 CONNECTORS.
 2. A FULLY LOADED CARTON SHOULD CONTAIN 100 TUBE (4800 PCS) OF CONNECTOR.
 3. PRODUCTS TO BE PACKAGED WITH COVER TAPE BY HEAT SEALING METHOD

UNLESS SPECIFIED OTHERWISE		DRAWN <i>HANSON.C</i>	<i>MAY 07/18</i>	Amphenol Canada Corp. Commercial Products
PRIMARY UNITS INCHES	CHECKED <i>L.CHAN</i>	<i>MAY 07/18</i>		
SECONDARY MILLIMETERS	M.E. APP'D			HIGH SPEED MODULAR JACK SINGLE PORT, 6 POSITIONS, 2 CONTACTS, WITHOUT SHIELD - RoHS COMPLIANT
REFERENCE IN PARENTHESES	Q.A. APP'D			
GENERAL TOLERANCES		DWG APP'D		DWG NO.
1 DECIMAL PLACE	±0.38	ENG. REL. NO. XX		P-RJE01-X20-01
2 DECIMAL PLACES	±0.25	REF.		
3 DECIMAL PLACES	±0.20			REV C
ANGULAR DEGREES	±1.5°	THIRD ANGLE PROJECTION	DO NOT SCALE DRAWING	CODE ID NO. 03554 DWG SIZE X SCALE N/A SHEET 2 OF 2