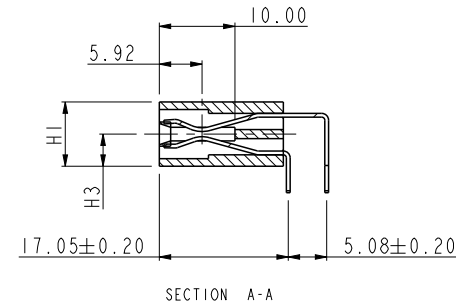
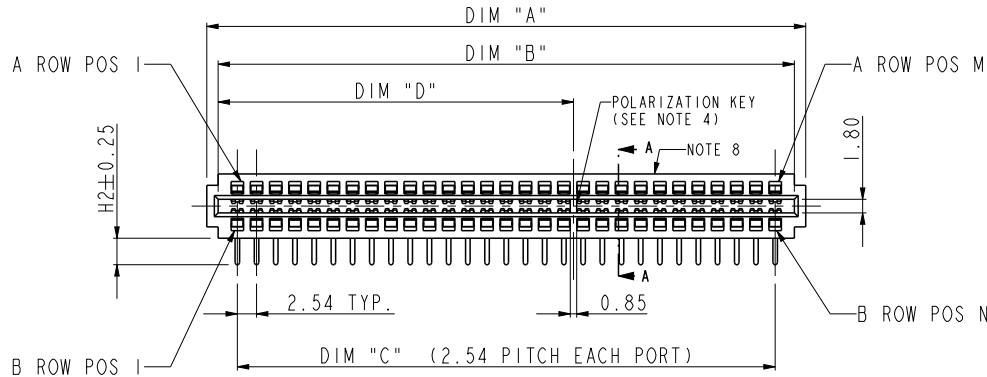
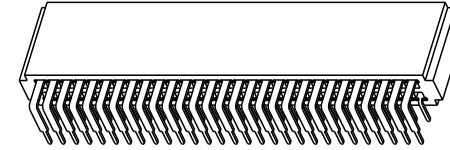
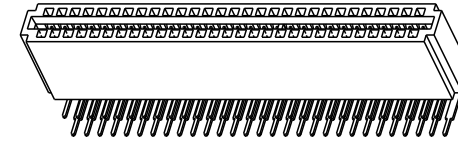
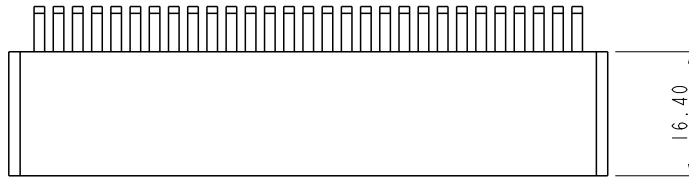


PRODUCT NO.

10035388-XXX_ _
NOTE: 5



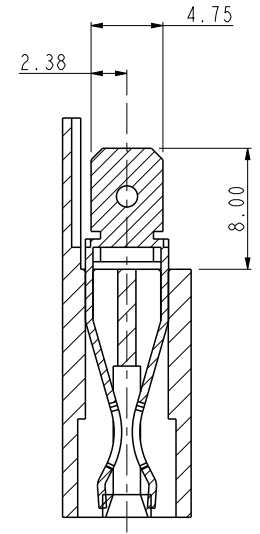
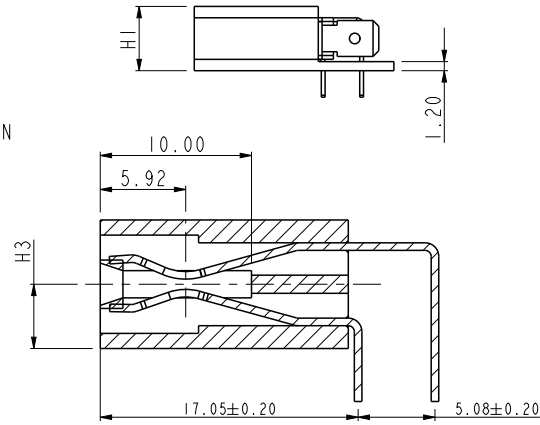
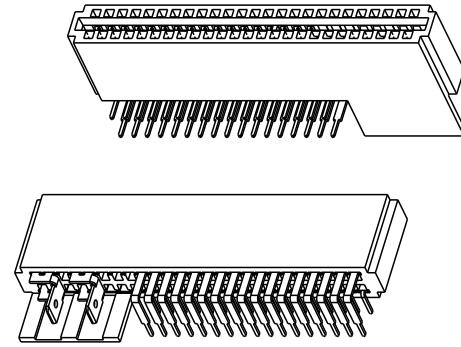
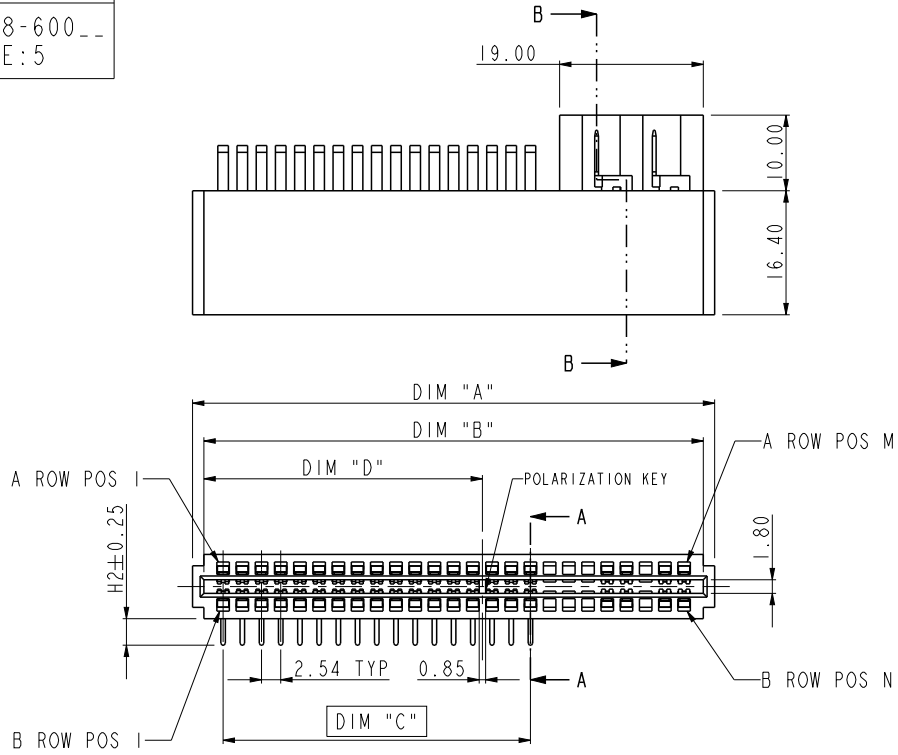
NOTE:

- MATERIAL:
HOUSING: HIGH TEMPERATURE THERMOPLASTIC, UL 94 V-0 RATED, BLACK.
TERMINAL: HIGH CONDUCTIVITY COPPER ALLOY.
- PRODUCT SPECIFICATION: GS-12-259.
- PACKAGE SPECIFICATION: GS-14-937
- THERE IS NO POLARIZATION KEY IN 10035388-102/103/104/105/106/107/108/110/114/119/120/121/122/123/202/203/204/205/206/500/700/800/802/902/903/904/905/909/910/911/912/913.
- PLATING SPEC:
10035388-XXX:
POWER PIN: CONTACT AREA - 30u" GOLD OVER 50u" NICKEL UNDER PLATED.
SOLDER TAIL - 100u" TIN/LEAD OVER 50u" NICKEL UNDER PLATED.
AC TERMINAL: 50u" NICKEL UNDER PLATED; 30u" GOLD ON CONTACT AREA.
10035388-XXXLF:
POWER PIN: CONTACT AREA - 30u" GOLD OVER 50u" NICKEL UNDER PLATED.
SOLDER TAIL - 100u" PURE MATTE TIN OVER 50u" NICKEL UNDER PLATED.
AC TERMINAL: 50u" NICKEL UNDER PLATED; 30u" GOLD ON CONTACT AREA.

- P/N 10035388-XXXLF MEETS EUROPEAN UNION DIRECTIVE AND OTHER COUNTRY REGULATIONS AS DESCRIBED IN GS-22-008.
- THE HOUSING WILL WITHSTAND EXPOSURE TO 260°C PEAK TEMPERATURE FOR 10 SECONDS IN A WAVE SOLDER APPLICATION WITH A CIRCUIT BOARD.
- PRODUCT MARKING ON HOUSING IN AREA SHOWN MEETS AFCI SPECIFICATION: GS-24-007.
- A SYMBOL WILL BE NEXT TO ANY DIMENSION, VIEW, OR NOTE WHICH HAS BEEN MODIFIED WITH THE CURRENT DRAWING REVISION.

spec ref	*	dr	De-Ming Lu	2014/08/06	projection	MM ←→	size	A4	scale	1:1	
tolerance std	TOLERANCES UNLESS OTHERWISE SPECIFIED	eng	Sunny2 Liu	2019/12/13			ecn no	ELX-DG-34201-1			
ISO 406 ISO 1101		chr	Webber Yan	2019/12/13				rel level	Released		
surface	- linear	appr	Zheng, Pei-Min	2019/12/13	product family	-	rel level	Released			
ISO 1302		angular	0°	±2°	Amphenol FCI	title	POWER EDGE CARD CONNECTOR WITHOUT SIGNAL ASSY		dwg no	10035388	rev
		cat. no.			Product - Customer Drw			sheet 1 of 6			

PRODUCT NO.
10035388-600__
NOTE: 5



NOTE:
(APPLY TO 10035388-600__ AS ADDITIONAL)
10. THE EMPTY POSITIONS ARE 18, 19, 20, 23.
11. THERE ARE 2 AC TERMINALS.

SECTION A-A
SCALE 2:1

SECTION B-B
SCALE 2:1

spec ref		*		dr	De-Ming Lu	2014/08/06	projection 	MM ←→	size	A4	scale	1:1	
tolerance std		TOLERANCES UNLESS OTHERWISE SPECIFIED		eng	Sunny2 Liu	2019/12/13			ecn no	ELX-DG-34201-1			
ISO 406 ISO 1101				chr	Webber Yan	2019/12/13			rel level	Released			
surface		linear	0.X	±0.5	Amphenol FCI	title	POWER EDGE CARD CONNECTOR WITHOUT SIGNAL ASSY		dwg no	10035388		rev	AP
			0.XX	±0.25									
ISO 1302		angular	0°	±2°									

A

B

C

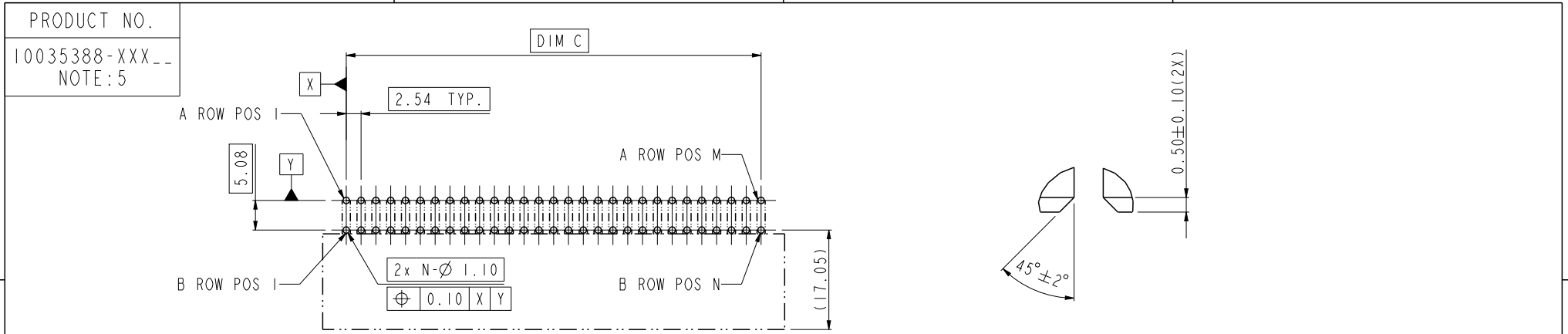
D

A

B

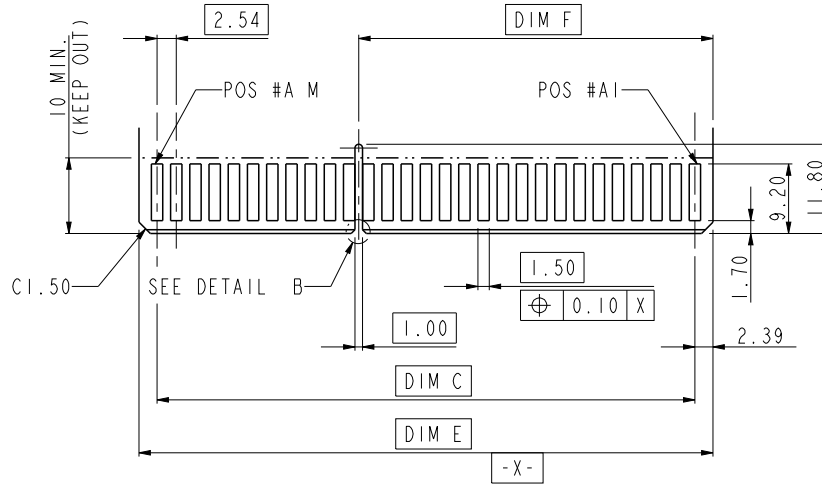
C

D

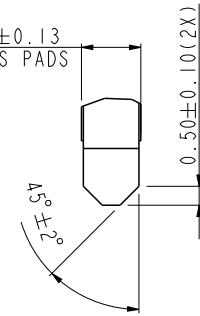
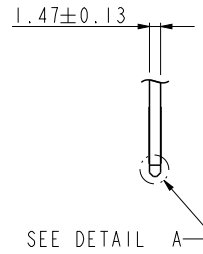


RECOMMENDED PCB LAYOUT

DETAIL B
SCALE 5:1



RECOMMENDED DAUGHTER CARD LAYOUT (TOP SIDE)



DETAIL A
SCALE 5:1

spec ref	*	dr	De-Ming Lu	2014/08/06	projection	MM	size	A4	scale	1:1	
tolerance std	TOLERANCES UNLESS OTHERWISE SPECIFIED	eng	Sunny2 Liu	2019/12/13			ecn no	ELX-DG-34201-1			
ISO 406		chr	Webber Yan	2019/12/13				rel level	Released		
ISO 1101		appr	Zheng, Pei-Min	2019/12/13	product family	-			rev		
surface	linear	0.X	±0.5		POWER EDGE CARD CONNECTOR			dwg no 10035388	cat. no. - Product - Customer Drw		sheet 3 of 6
ISO 1302	0.XX	±0.25	WITHOUT SIGNAL ASSY			rev AP					
	angular	0°	±2°		Product - Customer Drw						

Amphenol
FCI

© 2016 AFCI

A

B

C

D

PRAT NO.	DIM"A"	DIM"B"	DIM"C"	DIM"D"	DIM"E"	DIM"F"	H1	H2	H3	PIN CONFIGURATION	M	N
10035388-107 10035388-107LF	69.04	66.04	60.96	N/A	65.74	N/A	8.50	3.50	4.25	A1 A25 B1 B25	25	25
10035388-913 10035388-913LF	25.86	22.86	17.78	N/A	22.56	N/A	8.50	3.50	4.25	ALL LOADED	8	8
10035388-902 10035388-902LF	94.44	91.44	86.36	N/A	91.14	N/A	8.50	3.50	4.25	A1 A35 B1 B35	35	35
10035388-108 10035388-108LF	69.04	66.04	60.96	N/A	65.74	N/A	8.50	3.50	4.25	A1 A25 B1 B25	25	25
10035388-206 10035388-206LF	84.28	81.28	76.20	N/A	80.98	N/A	8.50	3.50	4.25	A1 A31 B1 B31	31	31
10035388-110 10035388-110LF	69.04	66.04	60.96	N/A	65.74	N/A	8.50	3.50	4.25	A1 A25 B1 B25	25	25
10035388-204 10035388-204LF	81.74	78.74	73.66	N/A	78.44	N/A	8.50	3.50	4.25	ALL LOADED	30	30
10035388-114 10035388-114LF	41.10	38.10	33.02	N/A	37.80	N/A	8.50	3.50	4.25	ALL LOADED	14	14
10035388-119 10035388-119LF	94.44	91.44	86.36	N/A	91.14	N/A	8.50	3.50	4.25	A1 A35 B1 B35	35	35
10035388-120 10035388-120LF	69.04	66.04	60.96	N/A	65.74	N/A	8.50	3.50	4.25	A1 A25 B1 B25	25	25
10035388-121 10035388-121LF	48.72	45.72	40.64	N/A	45.42	N/A	8.50	3.50	4.25	A1 A17 B1 B17	17	17
10035388-122 10035388-122LF	76.66	73.66	68.58	N/A	73.36	N/A	8.50	3.50	4.25	A1 A28 B1 B28	28	28
10035388-123 10035388-123LF	69.04	66.04	60.69	N/A	65.74	N/A	8.50	3.50	4.25	A1 A25 B1 B25	25	25
△ 10035388-125 10035388-125LF	41.10	38.10	33.02	N/A	37.80	N/A	8.50	3.50	4.25	A1 A14 B1 B14	14	14
△ 10035388-126 10035388-126LF	41.10	38.10	33.02	N/A	37.80	N/A	8.50	3.50	4.25	A1 A14 B1 B14	14	14

spec ref	*	dr	De-Ming Lu	2014/08/06	projection		size	A4	scale	1:1	
tolerance std	TOLERANCES UNLESS OTHERWISE SPECIFIED	eng	Sunny2 Liu	2019/12/13		←→	ecn no	ELX-DG-34201-1			
ISO 406 ISO 1101		chr	Webber Yan	2019/12/13				rel level	Released		
surface	linear	appr	Zheng, Pei-Min	2019/12/13	product family	-	rel level	Released			
	angular										
ISO 1302	0.X ±0.5 0.XX ±0.25 0.XXX ±0.10 0° ±2°	Amphenol FCI		POWER EDGE CARD CONNECTOR WITHOUT SIGNAL ASSY			dwg no	10035388		rev	AP
		cat. no.	Product - Customer Drw			sheet 6 of 6					