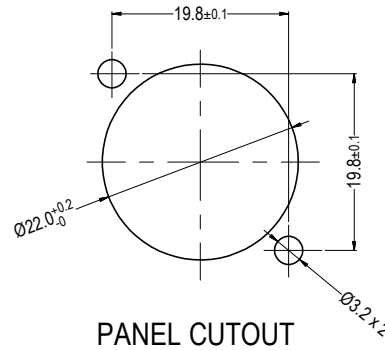
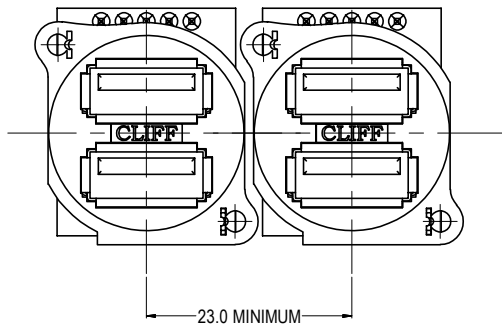


ITEM	PART No.	DESCRIPTION	MATERIAL	FINISH	QTY
1	CP30090SA1	SERIES 5 BODY MouldING	PA66	BLACK	1
2	CP30092SA2	DUAL USB2 PCB	FR4	-	1
3	CP30090SA3	EARTH CONTACT	BRASS	TIN PLATE	1
4		USB2 SOCKET	-	-	2
5		HEADER 2x5 2.54mm PITCH	PA66 BRASS	BLACK TIN PLATE	1



	Pin No.		Header Pin
Top USB	1	Vcc	1
	2	Data -	3
	3	Data +	5
	4	Ground	7
		USB Body	9
Bottom USB	1	Vcc	2
	2	Data -	4
	3	Data +	6
	4	Ground	8
		USB Body	10

**RoHS**  
COMPLIANT

**TOLERANCE**  
NO DEC. PLACE ±  
1 DEC. PLACE ±  
2 DEC. PLACE ±  
HOLE Ø ±  
ANGLES ±  
UNLESS OTHERWISE STATED

DO NOT SCALE

## Cliff Electronic Components Ltd.

76 Holmehorpe Avenue, Holmehorpe Industrial Estate,  
Redhill, Surrey, RH1 2PF, England, UK  
Tel: 01737-771375 Fax: 01737-766012 Website: www.cliffuk.co.uk

THE CONTENTS OF THIS DOCUMENT MUST NOT BE COPIED OR DISCLOSED TO A 3rd PARTY WITHOUT WRITTEN PERMISSION OF CLIFF UK. © 2014

DIMENSIONS IN MILLIMETERS UNLESS OTHERWISE STATED. WORK TO DIMENSIONS. REMOVE ALL BURRS. IF IN DOUBT ASK.

MATERIAL: SEE TABLE

FINISH: SEE TABLE

DRAWN: NJB

APPROVED: DPJ

3rd ANGLE PROJECTION:

TITLE: XLR DUAL USB2.0 EARTHED WITH 2x5-WAY HEADER

DRWG. No. **CP30092**

FORM: A4DRWGH

ISS.	AMEND	DATE
1	ISSUED	26/03/15
2	10.0 DIM ADDED	22/11/16
3	ADD MATERIAL TABLE	23/03/20