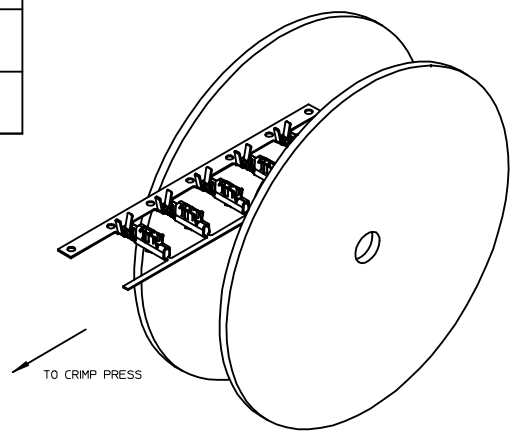
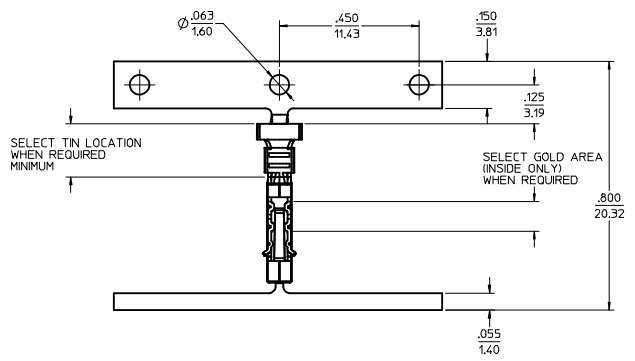
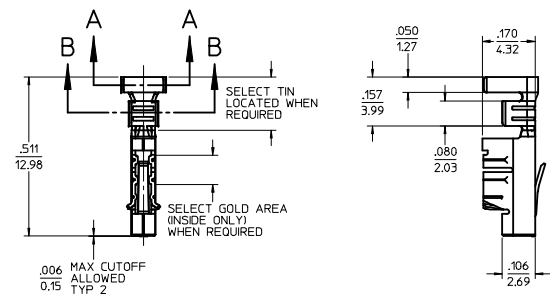
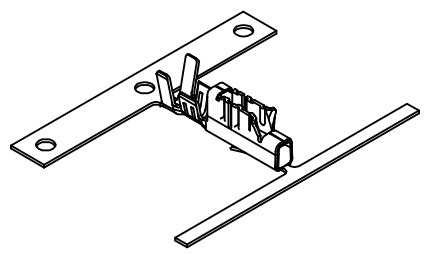


ITEM NUMBER	DESCRIPTION	PLATING	WIRE AWG.	DIM 'A'	DIM 'B'	DIM 'E'	DIM 'F'
45570-3000	ON REEL	PRE-PLATE: HOT TIN DIP SEE NOTE 2.1	18 - 20	.164 4.17	.162 4.12	.102 2.59	.110 2.80
45570-3002	ON REEL	POST PLATE: TIN OVER NICKEL SEE NOTE 2.2	18 - 20	.164 4.17	.162 4.12	.102 2.59	.110 2.80
45570-3052	LOOSE						
45570-3004	ON REEL	POST PLATE: TIN OVER NICKEL W/SELECT GOLD SEE NOTE 2.3	18 - 20	.164 4.17	.164 4.12	.102 2.59	.110 2.80
45570-3054	LOOSE						

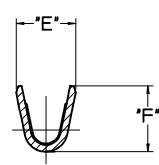
- NOTES:
- MATERIAL: COPPER ALLOY, .011(0.28) THICK.
  - PLATING OPTIONS:
    - PRE-PLATE HOT TIN DIP .000080/(.00203) MINIMUM OVERALL.
    - POST PLATE TIN .00020/(.00508) MINIMUM OVERALL OVER NICKEL .00005/(.00127) MINIMUM OVERALL.
    - POST PLATE SELECT TIN .00010/(.00250) MINIMUM AND SELECT GOLD .000030/(.00076) MINIMUM OVER NICKEL OVERALL .000050/(.00127) MINIMUM.
  - PRODUCT SPECIFICATION: PS-45570-001.
  - TERMINAL FOR USE IN HOUSING NUMBER 41695.
  - TERMINALS FOR USE WITH UL1015 STRANDED WIRE ONLY: MAXIMUM INSULATION RANGE 3.12/(.123).
  - FOR CRIMP INFORMATION SEE CRIMP SPECIFICATION ATS-63866-2000.
  - TERMINAL MATES TO MOLEX .156/3.96 HEADERS WITH .045/1.14 SQ. PIN.
  - REEL 4000 TERMINALS ON A 24" CARDBOARD REEL USING A 6" INNER CORE WITH A PAPER LINER. FULL REELS TO BE PACKAGED 10 PER CARTON.



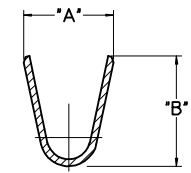
Ⓜ REEL WINDING DIRECTION FOR FINISHED PRODUCT



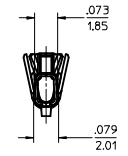
TERMINAL - ON CARRIER



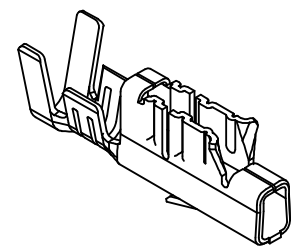
SECTION B-B SCALE 10:1



SECTION A-A SCALE 10:1



TERMINAL - LOOSE



ADD VIEW & NOTE ELC NO: UCP2009-0442 DRWN: JOUILLES 2008/08/27 CHKD: 2008/09/02 APPR: APATEL 2008/09/02 D1	QUALITY SYMBOLS ▽-0 ▽-0 ▽-0	GENERAL TOLERANCES (UNLESS SPECIFIED)	SCALE 5:1	DESIGN UNITS INCH	THIRD ANGLE PROJECTION	REVISE ON CAD ONLY															
		<table border="1"> <tr> <th></th> <th>mm</th> <th>INCH</th> </tr> <tr> <td>4 PLACES</td> <td>±---</td> <td>±---</td> </tr> <tr> <td>3 PLACES</td> <td>±---</td> <td>±.005</td> </tr> <tr> <td>2 PLACES</td> <td>±0.13</td> <td>±.010</td> </tr> <tr> <td>1 PLACE</td> <td>±0.25</td> <td>±---</td> </tr> </table>		mm	INCH	4 PLACES	±---	±---	3 PLACES	±---	±.005	2 PLACES	±0.13	±.010	1 PLACE	±0.25	±---	DIMENSION STYLE IN/MM	TITLE TERMINAL, FEMALE CRIMP .156 CENTERS		
			mm	INCH																	
		4 PLACES	±---	±---																	
3 PLACES	±---	±.005																			
2 PLACES	±0.13	±.010																			
1 PLACE	±0.25	±---																			
DRAFT WHERE APPLICABLE MUST REMAIN WITHIN DIMENSIONS	DRAWN BY MMD DATE 4-29-03 CHECKED BY AP DATE 4-29-03 APPROVED BY AP DATE 4-30-03	MATERIAL NO. SEE CHART DOCUMENT NO. SD-45570-001 SHEET NO. 1 OF 1	MOLEX INCORPORATED																		
THIS DRAWING CONTAINS INFORMATION THAT IS PROPRIETARY TO MOLEX INCORPORATED AND SHOULD NOT BE USED WITHOUT WRITTEN PERMISSION																					