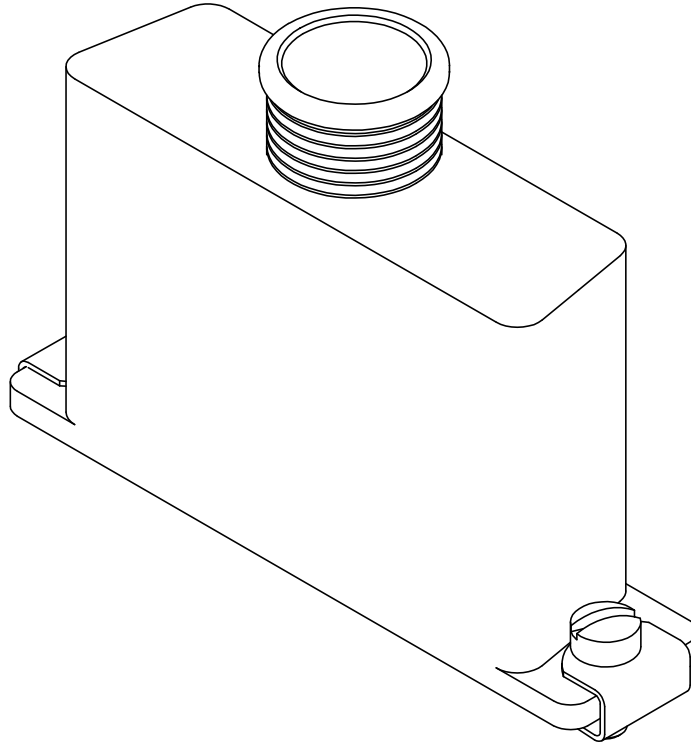


REVISIONS



D SUB-MINIATURE BACKSHELL WITH MICRO BAND SCREENED CABLE TERMINATION

EXAMPLE PART DESCRIPTION: MB DSM - U 3 S H S 0 - 06 - 30 - 1 - C - S

TERMINATION SERIES _____
 (MB - MICRO BAND)
 CONNECTOR _____
 (SEE NOTE 2)
 ENTRY POSITION _____
 SHELL SIZE _____
 SHELL STYLE _____
 INTERFACE VARIANT _____
 FLANGE STYLE _____
 GROUNDING OPTION _____
 ENTRY SIZE _____
 MAIN BODY HEIGHT IN mm _____
 MATERIAL (REFER TO SS0076) _____
 PLATING/FINISH (REFER TO SS0076) _____
 HARDWARE OPTION _____

NOTES.

1. THIS PRODUCT IS DESIGNED TO TERMINATE A BRAIDED CABLE SHIELD TO A CONNECTOR.
2. THIS PRODUCT IS DESIGNED TO MATE WITH CONNECTORS CONFORMING TO:
 1. MIL-DTL-24308 SHELL SIZES 1 (DE), 2 (DA), 3 (DB), 4 (DC), 5 (DD) AND 6 (DF)
 2. ESCC3401/002 SHELL SIZES 1, 2, 3, 4 AND 5
3. BACKSHELL TO BE PERMANENTLY MARKED/BAGGED AND LABELLED WITH CODE IDENTIFICATION NUMBER AND PART NUMBER (e.g. U5792 - MBDSM-U3SHS0-06-30-1-C-S)

RELEASED FOR PUBLICATION

ALL RIGHTS RESERVED.

THIS DRAWING IS UNPUBLISHED.

COPYRIGHT 20 BY

DIMENSIONS: MILLIMETERS	DWN: D. WRIGLEY 14/06/2019	MATERIAL:	FINISH:
	CHK: R. STYLES 17/06/2019	STE TE Connectivity	
TOLERANCES UNLESS OTHERWISE SPECIFIED: GENERAL TOL LINEAR ±0,25MM ANGULAR ±1°	APVD: M. PAUL 14/06/2019	PART NUMBER: MBDSM SERIES	
	PRODUCT SPEC: -	NAME: MICRO BAND TERMINATION D-SUB BACKSHELL	
APPLICATION SPEC: -	WEIGHT:	SIZE: A4	CAGE CODE: U5792
	CUSTOMER DRAWING	DRAWING NO: P43710	RESTRICTED TO:
		SCALE: 2:1	SHEET: 1 OF 7

REVISIONS

PART NUMBER BREAKDOWN STANDARD VARIABLES

ENTRY POSITION (SEE SHEET 3):

- U - TOP ENTRY
- F - END 45° ENTRY
- E - END 90° ENTRY
- J - SIDE 45° ENTRY
- S - SIDE 90° ENTRY

SHELL SIZE:

- 1, 2, 3, 4, 5, 6

SHELL STYLE:

- S - SINGLE PIECE BODY

INTERFACE VARIANT:

- H - HANDED (AVAILABLE FOR TOP ENTRY 'U' WITH '0' AND '1' GROUNDING OPTION CODES ONLY)
- M - MIRRORED (AVAILABLE FOR ENTRY POSITIONS F, E, J AND S; REQUIRED FOR TOP ENTRY 'U' WITH GROUNDING OPTION CODE '2')

FLANGE STYLE:

- T - THIN FLANGE (SEE SHEET 4 AND 5)
- S - STANDARD FLANGE (SEE SHEET 4 AND 5)
- R - STANDARD FLANGE WITH TAB RECESS (SEE SHEET 4 AND 5)

GROUNDING OPTION:

- 0 - NO GROUNDING (PROVISION NOT MADE TO ACCOMMODATE GROUNDING COMB - SEE SHEET 4)
- 1 - 1 OFF COMB (SOLD SEPARATELY - SEE SHEET 5)
- 2 - 2 OFF COMBS (SOLD SEPARATELY - SEE SHEET 5)

ENTRY SIZE:

- 02 - 18 (SEE SHEET 6)

MAIN BODY HEIGHT IN mm:

MINIMUM HEIGHT SHOWN ON ENTRY SIZE TABLE 1 AND ENTRY SIZE TABLE 2 ON SHEET 6; MAXIMUM HEIGHT = 60mm; INCREMENTS OF 5mm

MATERIAL:F

PLEASE REFER TO SS0076

PLATING/FINISH:

PLEASE REFER TO SS0076

HARDWARE OPTION:

0, S, H, E, F (SEE SHEET 7)



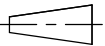

RELEASED FOR PUBLICATION

ALL RIGHTS RESERVED.

THIS DRAWING IS UNPUBLISHED.

COPYRIGHT 20 BY

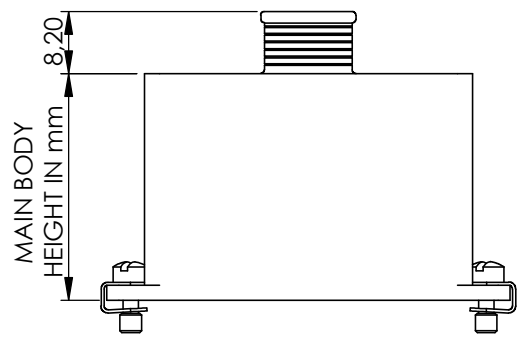


DIMENSIONS: MILLIMETERS	DWN: D. WRIGLEY	14/06/2019	MATERIAL:	FINISH:				
	CHK: R. STYLES	17/06/2019	 TE Connectivity					
TOLERANCES UNLESS OTHERWISE SPECIFIED:	APVD: M. PAUL	14/06/2019			PART NUMBER:	MBDSM SERIES		
GENERAL TOL LINEAR ±0.25MM ANGULAR ±1°	PRODUCT SPEC:	-	NAME: MICRO BAND TERMINATION D-SUB BACKSHELL					
	APPLICATION SPEC:	-	SIZE	CAGE CODE	DRAWING NO	RESTRICTED TO		
 	WEIGHT:	A4	U5792	 P43710				
	CUSTOMER DRAWING			SCALE	2:1	SHEET	2 OF 7	REV

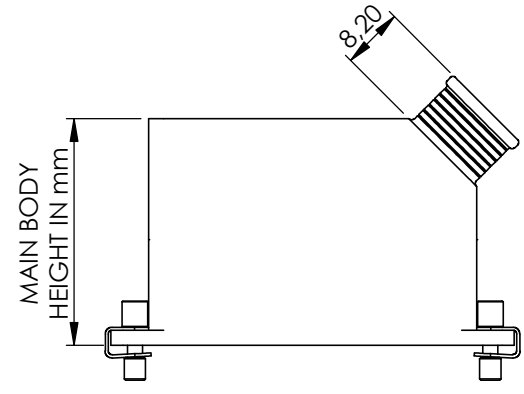
REVISIONS

ENTRY POSITION

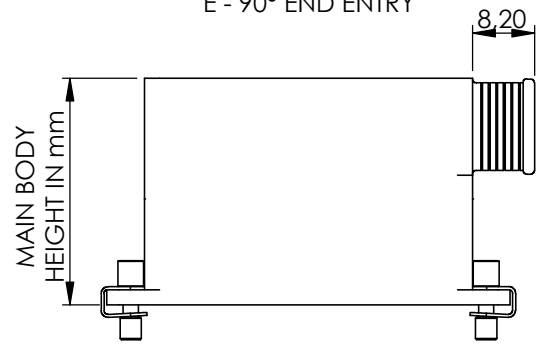
U - TOP ENTRY



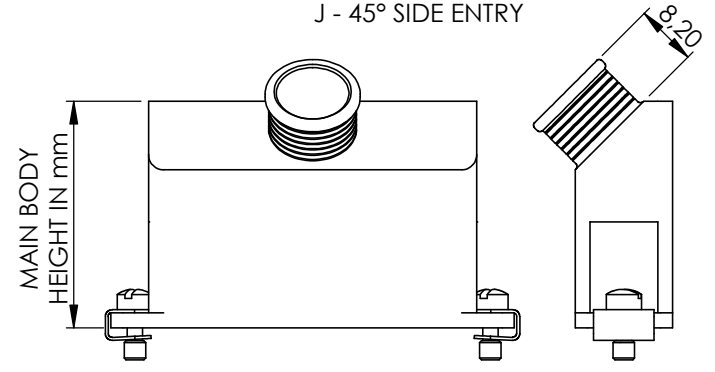
F - 45° END ENTRY



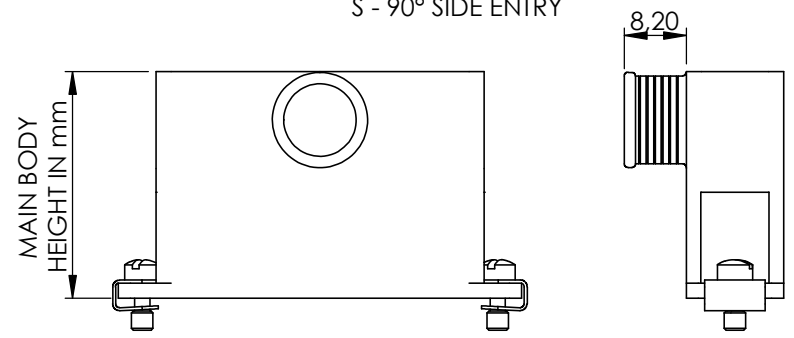
E - 90° END ENTRY




J - 45° SIDE ENTRY



S - 90° SIDE ENTRY

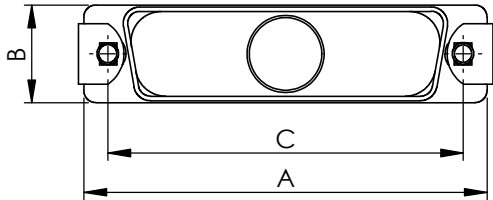
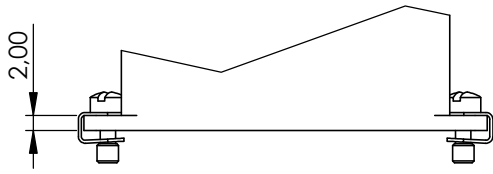


THIS DRAWING IS UNPUBLISHED. ALL RIGHTS RESERVED. COPYRIGHT 20 BY

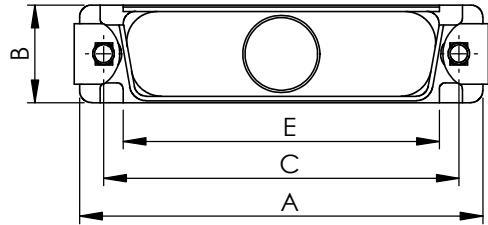
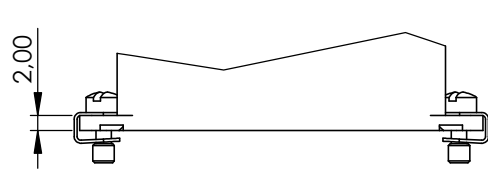
DIMENSIONS: MILLIMETERS	DWN: D. WRIGLEY 14/06/2019	MATERIAL:	FINISH:		
	CHK: R. STYLES 17/06/2019	 TE Connectivity			
TOLERANCES UNLESS OTHERWISE SPECIFIED: GENERAL TOL LINEAR $\pm 0,25\text{MM}$ ANGULAR $\pm 1^\circ$	APVD: M. PAUL 14/06/2019	PART NUMBER: MBDSM SERIES			
	PRODUCT SPEC: -	NAME: MICRO BAND TERMINATION D-SUB BACKSHELL			
APPLICATION SPEC: -	WEIGHT:	SIZE: A4	CAGE CODE: U5792	DRAWING NO: C-P43710	RESTRICTED TO
	CUSTOMER DRAWING		SCALE: 1:1	SHEET: 3 OF 7	REV: AA

REVISIONS

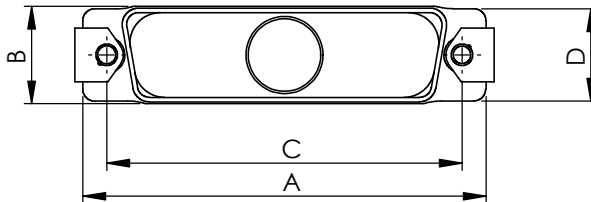
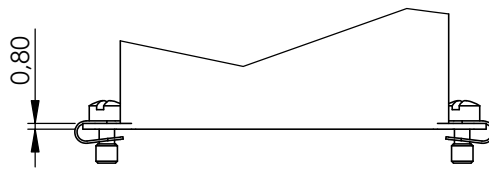
FLANGE CODE: S (STANDARD)
GROUNDING CODE: 0 (NO GROUNDING)



FLANGE CODE: R (STANDARD, TAB RECESS)
GROUNDING CODE: 0 (NO GROUNDING)



FLANGE CODE: T (THIN FLANGE)
GROUNDING CODE: 0 (NO GROUNDING)



SHELL SIZE	A	B	C	D	E
1	31,14	12,93	25,00	12,20	19,86
2	39,47	12,93	33,33	12,20	28,09
3	53,37	12,93	47,04	12,20	41,86
4	69,71	12,93	63,50	12,20	58,32
5	67,26	15,75	61,12	15,20	55,98
6	69,65	17,35	63,50	16,50	58,57

RELEASED FOR PUBLICATION

ALL RIGHTS RESERVED.

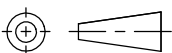
THIS DRAWING IS UNPUBLISHED.

BY COPYRIGHT 20

DIMENSIONS:
MILLIMETERS

TOLERANCES UNLESS OTHERWISE SPECIFIED:

GENERAL TOL
LINEAR $\pm 0,25$ MM
ANGULAR $\pm 1^\circ$



DWN: D. WRIGLEY 14/06/2019

CHK: R. STYLES 17/06/2019

APVD: M. PAUL 14/06/2019

PRODUCT SPEC:

APPLICATION SPEC:

WEIGHT:

CUSTOMER DRAWING

MATERIAL:

FINISH:



TE Connectivity

PART NUMBER:

MBDSM SERIES

NAME:

MICRO BAND TERMINATION D-SUB BACKSHELL

SIZE

CAGE CODE

DRAWING NO

RESTRICTED TO

A4

U5792

C-P43710

SCALE

1:1

SHEET

4

OF

7

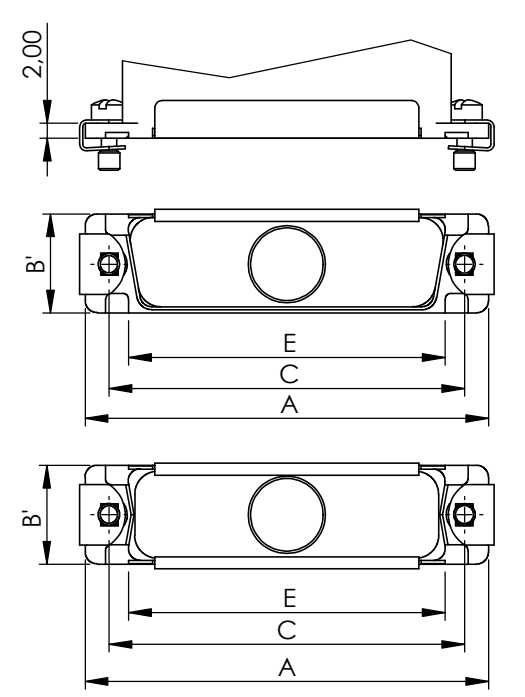
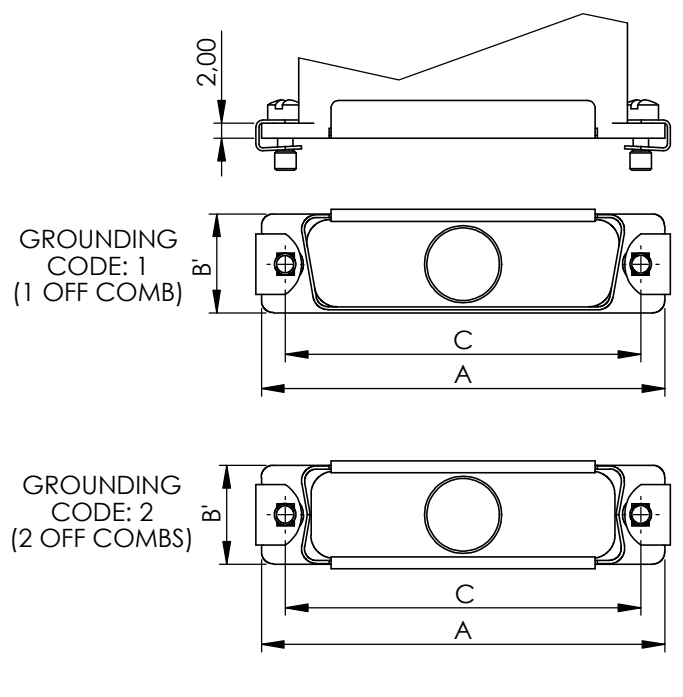
REV

AA

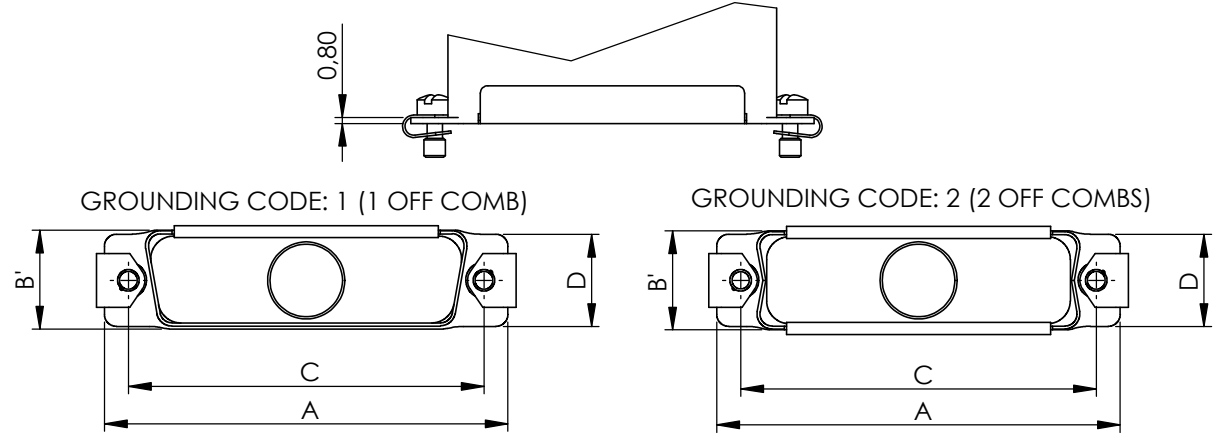
REVISIONS

FLANGE CODE: S (STANDARD)

FLANGE CODE: R (STANDARD, TAB RECESS)



FLANGE CODE: T (THIN FLANGE)



GROUNDING COMBS SHOWN FOR ILLUSTRATIVE PURPOSES ONLY - COMBS ARE SOLD SEPARATELY

SHELL SIZE	A	B'	C	D	E
1	31,14	13,10	25,00	12,20	19,86
2	39,47	13,10	33,33	12,20	28,09
3	53,37	13,10	47,04	12,20	41,86
4	69,71	13,10	63,50	12,20	58,32
5	67,26	15,92	61,12	15,20	55,98
6	69,65	17,52	63,50	16,50	58,57

THIS DRAWING IS UNPUBLISHED. ALL RIGHTS RESERVED. BY COPYRIGHT 20

DIMENSIONS: MILLIMETERS	DWN: D. WRIGLEY 14/06/2019	MATERIAL:	FINISH:
	CHK: R. STYLES 17/06/2019	TE Connectivity	
TOLERANCES UNLESS OTHERWISE SPECIFIED: GENERAL TOL LINEAR $\pm 0,25$ MM ANGULAR $\pm 1^\circ$	APVD: M. PAUL 14/06/2019		
	PRODUCT SPEC: -	NAME: MICRO BAND TERMINATION D-SUB BACKSHELL	
	APPLICATION SPEC: -	SIZE: A4	CAGE CODE: U5792
	WEIGHT:	DRAWING NO: P43710	RESTRICTED TO
	CUSTOMER DRAWING	SCALE: 1:1	SHEET: 5 OF 7
			REV: AA

REVISIONS

AVAILABLE ENTRY SIZES

SHELL SIZE	U - TOP ENTRY		F - 45° END ENTRY		E - 90° END ENTRY		J - 45° SIDE ENTRY		S - 90° SIDE ENTRY	
	CIRCULAR	ELLIPTICAL	CIRCULAR	ELLIPTICAL	CIRCULAR	ELLIPTICAL	CIRCULAR	ELLIPTICAL	CIRCULAR	ELLIPTICAL
1	02 - 06	07 - 08	02 - 06	07 - 08	02 - 06	07 - 13	02 - 06	07 - 08	02 - 06	07 - 08
2	02 - 06	07 - 10	02 - 06	07 - 11	02 - 06	07 - 13	02 - 06	07 - 10	02 - 06	07 - 10
3	02 - 06	07 - 12	02 - 06	07 - 14	02 - 06	07 - 13	02 - 06	07 - 12	02 - 06	07 - 12
4	02 - 06	07 - 15	02 - 06	07 - 15	02 - 06	07 - 13	02 - 06	07 - 15	02 - 06	07 - 15
5	02 - 08	09 - 16	02 - 08	09 - 16	02 - 08	09 - 13	02 - 08	09 - 16	02 - 08	09 - 16
6	02 - 09	10 - 18	02 - 09	10 - 18*	02 - 09	10 - 13*	02 - 09	10 - 18	02 - 09	10 - 18

* - MAXIMUM ENTRY SIZE NOT SUPPORTED WITHIN THE 60,0mm MAXIMUM MAIN BODY HEIGHT WHEN GROUNDING COMBS ARE DEPLOYED; MAXIMUM ENTRY SIZE IS LIMITED TO 17 (F ENTRY POSITION) AND 12 (E ENTRY POSITION)



ENTRY SIZE TABLE 1 - CIRCULAR ENTRY ONLY

ENTRY SIZE (CIRCULAR)	DIA Z MIN	U - TOP ENTRY MINIMUM MAIN BODY HEIGHT IN mm	F - 45° END ENTRY MINIMUM MAIN BODY HEIGHT IN mm		E - 90° END ENTRY MINIMUM MAIN BODY HEIGHT IN mm		J - 45° SIDE ENTRY MINIMUM MAIN BODY HEIGHT IN mm		S - 90° SIDE ENTRY MINIMUM MAIN BODY HEIGHT IN mm	
			WITHOUT COMB	WITH COMB(S)	WITHOUT COMB	WITH COMB(S)	WITHOUT COMB	WITH COMB(S)	WITHOUT COMB	WITH COMB(S)
02	3,18	20,0	25,0	30,0	25,0	25,0	25,0	30,0	25,0	35,0
03	4,77	20,0	25,0	30,0	25,0	30,0	25,0	30,0	25,0	35,0
04	6,35	20,0	25,0	30,0	25,0	30,0	25,0	30,0	25,0	35,0
05	7,93	20,0	25,0	30,0	30,0	30,0	25,0	30,0	25,0	35,0
06	9,53	20,0	25,0	30,0	30,0	35,0	25,0	30,0	25,0	35,0
07	11,11	20,0	25,0	35,0	30,0	35,0	25,0	35,0	30,0	35,0
08	12,70	20,0	30,0	35,0	30,0	35,0	25,0	35,0	30,0	35,0
09	14,29	20,0	30,0	35,0	35,0	40,0	25,0	35,0	30,0	40,0

ENTRY SIZE TABLE 2 - ELLIPTICAL ENTRY ONLY

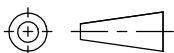
ENTRY SIZE (ELLIPTICAL)	X MIN	Y MIN	U - TOP ENTRY MINIMUM MAIN BODY HEIGHT IN mm	F - 45° END ENTRY MINIMUM MAIN BODY HEIGHT IN mm		E - 90° END ENTRY MINIMUM MAIN BODY HEIGHT IN mm		J - 45° SIDE ENTRY MINIMUM MAIN BODY HEIGHT IN mm		S - 90° SIDE ENTRY MINIMUM MAIN BODY HEIGHT IN mm	
				WITHOUT COMB	WITH COMB(S)	WITHOUT COMB	WITH COMB(S)	WITHOUT COMB	WITH COMB(S)	WITHOUT COMB	WITH COMB(S)
07	13,0	9,5	20,0	30,0	35,0	35,0	35,0	25,0	30,0	25,0	35,0
08	16,5	9,5	20,0	30,0	35,0	35,0	40,0	25,0	30,0	25,0	35,0
09	20,5	9,5	20,0	35,0	40,0	40,0	45,0	25,0	30,0	25,0	35,0
10	24,7	9,5	20,0	35,0	40,0	45,0	50,0	25,0	30,0	25,0	35,0
11	29,4	9,5	20,0	40,0	45,0	50,0	55,0	25,0	30,0	25,0	35,0
12	34,6	9,5	20,0	45,0	50,0	55,0	60,0	25,0	30,0	25,0	35,0
13	40,2	9,5	20,0	50,0	55,0	60,0	NA	25,0	30,0	25,0	35,0
14	46,2	9,5	20,0	50,0	55,0	NA	NA	25,0	30,0	25,0	35,0
15	52,7	9,5	20,0	55,0	60,0	NA	NA	25,0	30,0	25,0	35,0
16	50,0	12,0	20,0	55,0	60,0	NA	NA	25,0	35,0	30,0	35,0
17	49,2	13,9	20,0	55,0	60,0	NA	NA	25,0	35,0	30,0	40,0
18	54,9	13,9	20,0	60,0	NA	NA	NA	25,0	35,0	30,0	40,0

RELEASED FOR PUBLICATION
ALL RIGHTS RESERVED.
THIS DRAWING IS UNPUBLISHED.
COPYRIGHT 20 BY

DIMENSIONS:
MILLIMETERS

TOLERANCES UNLESS OTHERWISE SPECIFIED:

GENERAL TOL
LINEAR ±0,25MM
ANGULAR ±1°



DWN: D. WRIGLEY 14/06/2019

CHK: R. STYLES 17/06/2019

APVD: M. PAUL 14/06/2019

PRODUCT SPEC:

APPLICATION SPEC:

WEIGHT:

CUSTOMER DRAWING

MATERIAL:

FINISH:



PART NUMBER:

MBDSM SERIES

NAME:

MICRO BAND TERMINATION D-SUB BACKSHELL

SIZE
A4

CAGE CODE
U5792

DRAWING NO
C-P43710

RESTRICTED TO

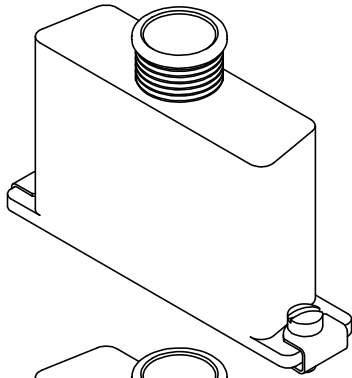
SCALE 1:1

SHEET 6 OF 7

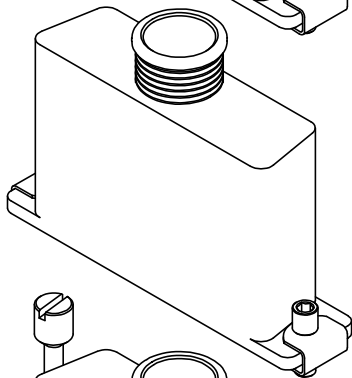
REV AA

REVISIONS

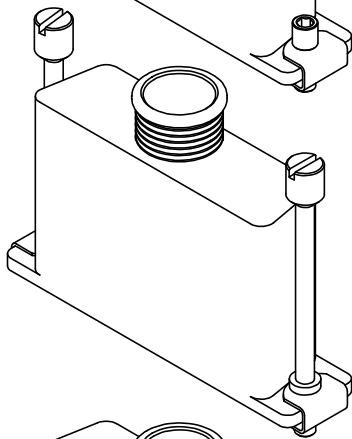
HARDWARE OPTIONS



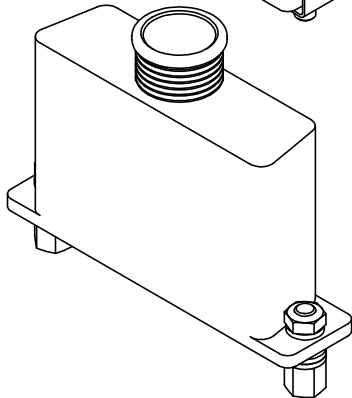
HARDWARE OPTION CODE: S
 SLOTTED HEAD JACKSCREW RETAINED WITH 'OVER-END' CLIP
 MATERIAL: STAINLESS STEEL, PASSIVATE FINISH
 NOT RECOMMENDED FOR USE WITH ENTRY POSITIONS F AND E



HARDWARE OPTION CODE: H
 HEX DRIVE SOCKET HEAD JACKSCREW RETAINED WITH 'OVER-END' CLIP
 MATERIAL: STAINLESS STEEL, PASSIVATE FINISH



HARDWARE OPTION CODE: E
 EXTENDED SLOTTED HEAD JACKSCREW RETAINED WITH 'OVER-END' CLIP
 MATERIAL: STAINLESS STEEL, PASSIVATE FINISH
 NOT AVAILABLE FOR ENTRY POSITIONS E AND F



HARDWARE OPTION CODE: F
 FEMALE THREAD JACKPOST
 MATERIAL: STAINLESS STEEL, PASSIVATE FINISH


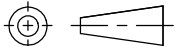
HARDWARE OPTION CODE: 0 (ZERO)
 BACKSHELL SUPPLIED WITHOUT HARDWARE

RELEASED FOR PUBLICATION

ALL RIGHTS RESERVED.

THIS DRAWING IS UNPUBLISHED.

© COPYRIGHT 20 BY

DIMENSIONS: MILLIMETERS	DWN: D. WRIGLEY	14/06/2019	MATERIAL:	FINISH:			
	CHK: R. STYLES	17/06/2019	 TE Connectivity				
TOLERANCES UNLESS OTHERWISE SPECIFIED:	APVD: M. PAUL	14/06/2019			PART NUMBER:	MBDSM SERIES	
GENERAL TOL LINEAR $\pm 0,25\text{MM}$ ANGULAR $\pm 1^\circ$	PRODUCT SPEC:	-	NAME: MICRO BAND TERMINATION D-SUB BACKSHELL				
	APPLICATION SPEC:	-	SIZE	CAGE CODE	DRAWING NO	RESTRICTED TO	
	WEIGHT:	-	A4	U5792	C-P43710		
	CUSTOMER DRAWING	SCALE		1:1	SHEET	7 OF 7	REV