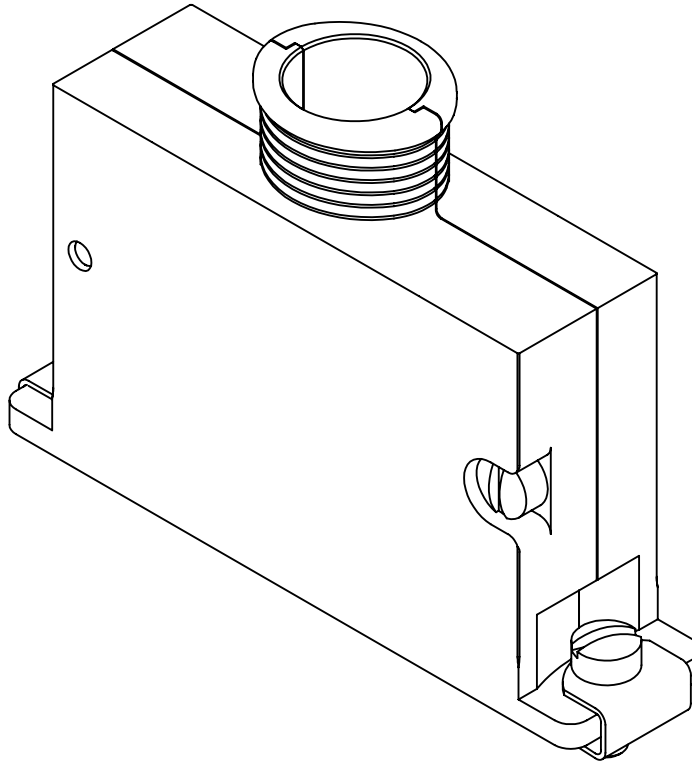


REVISIONS



D SUB-MINIATURE BACKSHELL WITH MICRO BAND SCREENED CABLE TERMINATION;
SPLIT BODY, FLANGE MOUNT CONNECTOR INTERFACE

EXAMPLE PART DESCRIPTION: MB DSM - U 3 T M S 0 - 06 - 30 - 1 - C - S

TERMINATION SERIES	_____
(MB - MICRO BAND)	_____
CONNECTOR	_____
(SEE NOTE 2)	_____
ENTRY POSITION	_____
SHELL SIZE	_____
SHELL STYLE	_____
INTERFACE VARIANT	_____
FLANGE STYLE	_____
GROUNDING OPTION	_____
ENTRY SIZE	_____
MAIN BODY HEIGHT IN mm	_____
MATERIAL (REFER TO SS0076)	_____
PLATING/FINISH (REFER TO SS0076)	_____
HARDWARE OPTION	_____

NOTES.


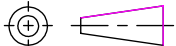
- THIS PRODUCT IS DESIGNED TO TERMINATE A BRAIDED CABLE SHIELD TO A CONNECTOR.
- THIS PRODUCT IS DESIGNED TO MATE WITH CONNECTORS CONFORMING TO:
 - MIL-DTL-24308 SHELL SIZES 1 (DE), 2 (DA), 3 (DB), 4 (DC), 5 (DD) AND 6 (DF)
 - ESCC3401/002 SHELL SIZES 1, 2, 3, 4 AND 5
- BACKSHELL TO BE PERMANENTLY MARKED/BAGGED AND LABELLED WITH CODE IDENTIFICATION NUMBER AND PART NUMBER (e.g. U5792 - MBDSM-U3TMS0-06-30-1-C-S)

RELEASED FOR PUBLICATION

ALL RIGHTS RESERVED.

THIS DRAWING IS UNPUBLISHED.

© COPYRIGHT 20 BY

DIMENSIONS: MILLIMETERS	DWN: D. WRIGLEY 21/07/2020	MATERIAL:	FINISH:				
	CHK: R. STYLES 23/07/2020	 TE Connectivity					
TOLERANCES UNLESS OTHERWISE SPECIFIED:	APVD: M. PAUL 21/07/2020			PART NUMBER:	MBDSM SERIES		
GENERAL TOL LINEAR $\pm 0,25$ MM ANGULAR $\pm 1^\circ$	PRODUCT SPEC:	NAME:					
	APPLICATION SPEC:	MICRO BAND TERMINATION D-SUB BACKSHELL					
	WEIGHT:	SIZE	CAGE CODE	DRAWING NO	RESTRICTED TO		
	CUSTOMER DRAWING	A4	U5792	Ⓒ=P43948			
		SCALE	2:1	SHEET	1 OF 6	REV	AA

REVISIONS

PART NUMBER BREAKDOWN STANDARD VARIABLES

ENTRY POSITION (SEE SHEET 3):

- U - TOP ENTRY
- F - END 45° ENTRY
- E - END 90° ENTRY
- J - SIDE 45° ENTRY
- S - SIDE 90° ENTRY

SHELL SIZE:

- 1, 2, 3, 4, 5, 6

SHELL STYLE:

- T - TWO PIECE BODY

INTERFACE VARIANT:

- M - MIRRORED

FLANGE STYLE:

- S - STANDARD FLANGE (SEE SHEET 4)
- R - STANDARD FLANGE WITH TAB RECESS (SEE SHEET 4)

GROUNDING OPTION:

- 0 - NO GROUNDING (PROVISION NOT MADE TO ACCOMMODATE GROUNDING COMB - SEE SHEET 4)
- 1 - 1 OFF COMB (SOLD SEPARATELY - SEE SHEET 4)
- 2 - 2 OFF COMBS (SOLD SEPARATELY - SEE SHEET 4)

ENTRY SIZE:

- 02 - 18 (SEE SHEET 5)

MAIN BODY HEIGHT IN mm:

- AS DEFINED ON SHEET 3 FOR ENTRY POSITIONS U, F, J AND S
- AS DEFINED ON SHEET 5 FOR ENTRY POSITION E
- PLEASE NOTE: MAIN BODY HEIGHT IS NOT A VARIABLE OPTION

MATERIAL:

- PLEASE REFER TO SS0076

PLATING/FINISH:

- PLEASE REFER TO SS0076

HARDWARE OPTION:


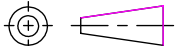
- O, S, H, E, K, F (SEE SHEET 6)

RELEASED FOR PUBLICATION

ALL RIGHTS RESERVED.

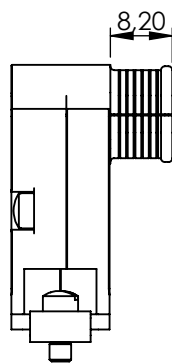
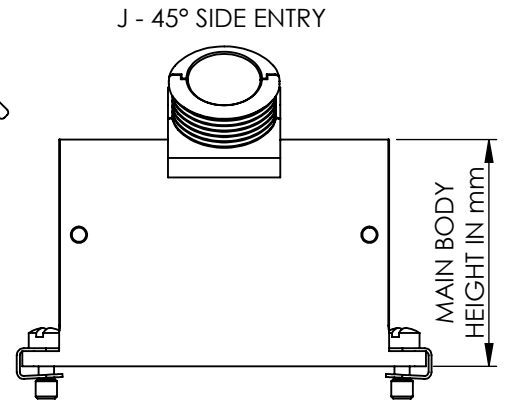
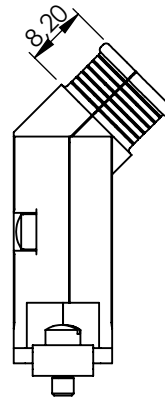
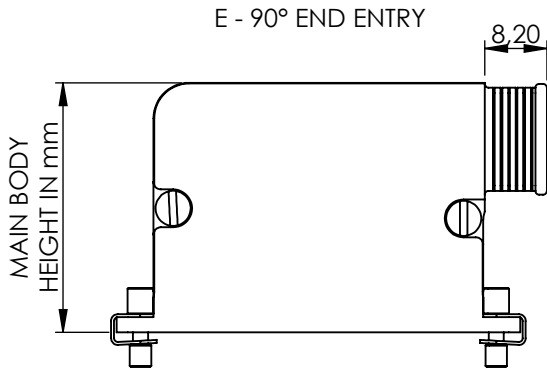
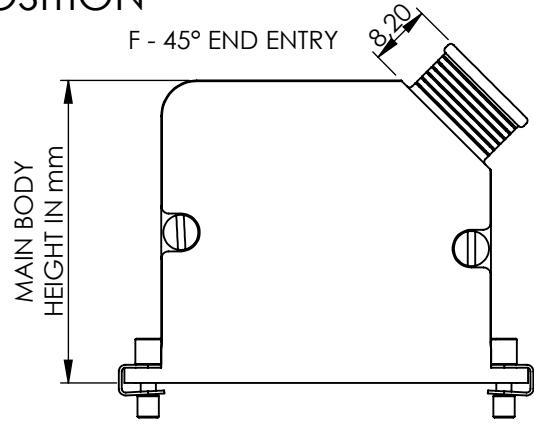
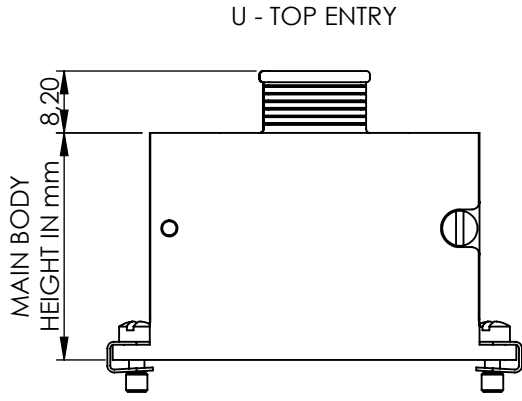
THIS DRAWING IS UNPUBLISHED.

© COPYRIGHT 20 BY

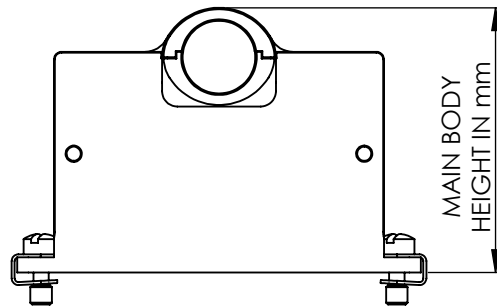
DIMENSIONS: MILLIMETERS	DWN: D. WRIGLEY 21/07/2020	MATERIAL:	FINISH:
	CHK: R. STYLES 23/07/2020	 TE Connectivity	
TOLERANCES UNLESS OTHERWISE SPECIFIED: GENERAL TOL LINEAR ±0,25MM ANGULAR ±1°	APVD: M. PAUL 21/07/2020	PART NUMBER:	MBDSM SERIES
	PRODUCT SPEC: -	NAME: MICRO BAND TERMINATION D-SUB BACKSHELL	
APPLICATION SPEC: -	WEIGHT:	SIZE	CAGE CODE
		A4	U5792
		DRAWING NO	RESTRICTED TO
		© P43948	
CUSTOMER DRAWING		SCALE 2:1	SHEET 2 OF 6 REV AA

REVISIONS

ENTRY POSITION


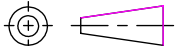


S - 90° SIDE ENTRY



SHELL SIZE	U - TOP ENTRY MAIN BODY HEIGHT IN mm		F - 45° END ENTRY MAIN BODY HEIGHT IN mm		E - 90° END ENTRY MAIN BODY HEIGHT IN mm		J - 45° SIDE ENTRY MAIN BODY HEIGHT IN mm		S - 90° SIDE ENTRY MAIN BODY HEIGHT IN mm	
	WITHOUT COMB	WITH COMB(S)	WITHOUT COMB	WITH COMB(S)	WITHOUT COMB	WITH COMB(S)	WITHOUT COMB	WITH COMB(S)	WITHOUT COMB	WITH COMB(S)
1	30,0	35,0	35,0	40,0	MAIN BODY HEIGHT FOR ENTRY POSITION E IS DETERMINED BY ENTRY SIZE - PLEASE SEE SHEET 5		30,0	35,0	35,0	40,0
2	30,0	35,0	40,0	45,0			30,0	35,0	35,0	40,0
3	30,0	35,0	40,0	45,0			30,0	35,0	35,0	40,0
4	30,0	35,0	47,0	52,0			30,0	35,0	35,0	40,0
5	30,0	35,0	47,0	52,0			30,0	35,0	35,0	40,0
6	30,0	35,0	47,0	52,0			30,0	35,0	35,0	40,0

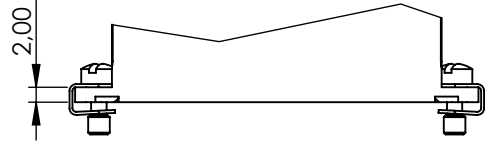
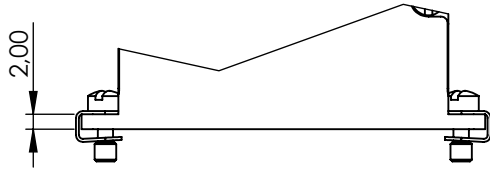
THIS DRAWING IS UNPUBLISHED. ALL RIGHTS RESERVED. COPYRIGHT 20 BY

DIMENSIONS: MILLIMETERS	DWN: D. WRIGLEY 21/07/2020	MATERIAL:	FINISH:
	CHK: R. STYLES 23/07/2020	 TE Connectivity	
TOLERANCES UNLESS OTHERWISE SPECIFIED:	APVD: M. PAUL 21/07/2020		
GENERAL TOL LINEAR ±0,25MM ANGULAR ±1°	PRODUCT SPEC:	NAME:	
	APPLICATION SPEC:	MICRO BAND TERMINATION D-SUB BACKSHELL	
	WEIGHT:	SIZE	CAGE CODE
	CUSTOMER DRAWING	A4	U5792
		DRAWING NO	RESTRICTED TO
		©=P43948	
		SCALE 1:1	SHEET 3 OF 6
			REV AA

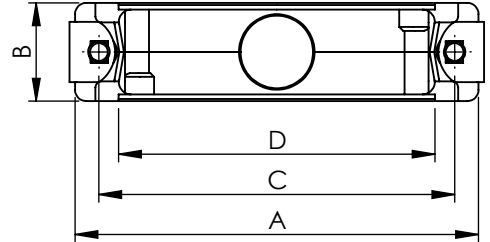
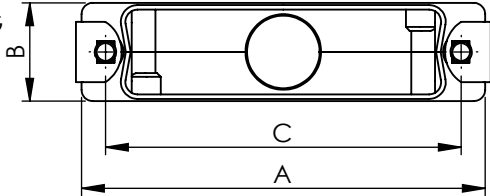
REVISIONS

FLANGE CODE: S (STANDARD)

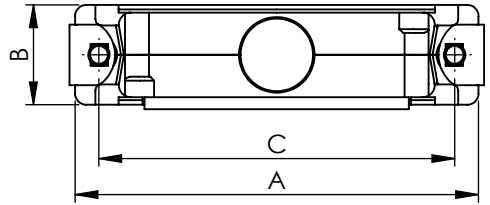
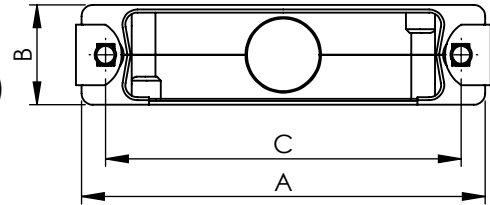
FLANGE CODE: R (STANDARD, TAB RECESS)



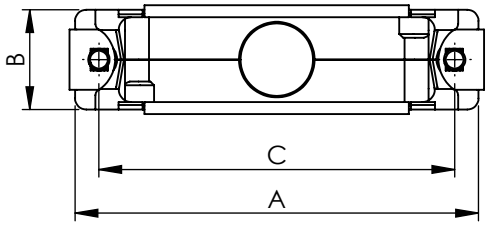
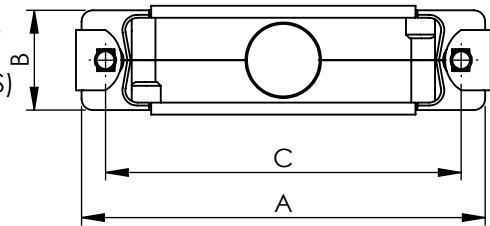
GROUNDING CODE: 0 (NO COMBS)



GROUNDING CODE: 1 (1 OFF COMB)



GROUNDING CODE: 2 (2 OFF COMBS)



GROUNDING COMBS SHOWN FOR ILLUSTRATIVE PURPOSES ONLY - COMBS ARE SOLD SEPARATELY

SHELL SIZE	A	B	C	D
1	31,14	13,00	25,00	19,86
2	39,47	13,00	33,33	28,09
3	53,37	13,00	47,04	41,86
4	69,71	13,00	63,50	58,32
5	67,26	15,80	61,12	55,98
6	69,65	17,90	63,50	58,57

RELEASED FOR PUBLICATION

ALL RIGHTS RESERVED.

THIS DRAWING IS UNPUBLISHED.

BY COPYRIGHT 20



DIMENSIONS: MILLIMETERS	DWN: D. WRIGLEY 21/07/2020	MATERIAL:	FINISH:
	CHK: R. STYLES 23/07/2020	TE Connectivity	
TOLERANCES UNLESS OTHERWISE SPECIFIED:	APVD: M. PAUL 21/07/2020		
GENERAL TOL LINEAR $\pm 0,25$ MM ANGULAR $\pm 1^\circ$	PRODUCT SPEC:	NAME:	
	APPLICATION SPEC:	MICRO BAND TERMINATION D-SUB BACKSHELL	
	WEIGHT:	SIZE	CAGE CODE
	CUSTOMER DRAWING	A4	U5792
		DRAWING NO	RESTRICTED TO
		C=P43948	
		SCALE 1:1	SHEET 4 OF 6 REV AA

REVISIONS

AVAILABLE ENTRY SIZES

SHELL SIZE	U - TOP ENTRY		F - 45° END ENTRY		E - 90° END ENTRY		J - 45° SIDE ENTRY		S - 90° SIDE ENTRY	
	CIRCULAR	ELLIPTICAL	CIRCULAR	ELLIPTICAL	CIRCULAR	ELLIPTICAL	CIRCULAR	ELLIPTICAL	CIRCULAR	ELLIPTICAL
1	02 - 06	07 - 08	02 - 06	07	02 - 06	07 - 10	02 - 06	07 - 08	02 - 06	-
2	02 - 06	07 - 10	02 - 06	07 - 08	02 - 06	07 - 10	02 - 06	07 - 10	02 - 06	07
3	02 - 06	07 - 12	02 - 06	07 - 09	02 - 06	07 - 10	02 - 06	07 - 12	02 - 06	07 - 10
4	02 - 06	07 - 15	02 - 06	07 - 11	02 - 06	07 - 10	02 - 06	07 - 15	02 - 06	07 - 13
5	02 - 08	09 - 16	02 - 08	09 - 12	02 - 08	09 - 10	02 - 08	09 - 16	02 - 08	09 - 13
6	02 - 09	10 - 18	02 - 09	10 - 12	02 - 09	10	02 - 09	10 - 18	02 - 09	10 - 13



ENTRY SIZE TABLE 1 - CIRCULAR ENTRY ONLY

ENTRY SIZE (CIRCULAR)	DIA Z MIN	U - TOP ENTRY MAIN BODY HEIGHT IN mm		F - 45° END ENTRY MAIN BODY HEIGHT IN mm		E - 90° END ENTRY MAIN BODY HEIGHT IN mm		J - 45° SIDE ENTRY MAIN BODY HEIGHT IN mm		S - 90° SIDE ENTRY MAIN BODY HEIGHT IN mm	
		WITHOUT COMB	WITH COMB(S)	WITHOUT COMB	WITH COMB(S)	WITHOUT COMB	WITH COMB(S)	WITHOUT COMB	WITH COMB(S)	WITHOUT COMB	WITH COMB(S)
02	3,18	MAIN BODY HEIGHT FOR ENTRY POSITION U IS DETERMINED BY SHELL SIZE - PLEASE SEE SHEET 3		MAIN BODY HEIGHT FOR ENTRY POSITION F IS DETERMINED BY SHELL SIZE - PLEASE SEE SHEET 3		33,0	38,0	MAIN BODY HEIGHT FOR ENTRY POSITION J IS DETERMINED BY SHELL SIZE - PLEASE SEE SHEET 3		MAIN BODY HEIGHT FOR ENTRY POSITION S IS DETERMINED BY SHELL SIZE - PLEASE SEE SHEET 3	
03	4,77					33,0	38,0				
04	6,35					33,0	38,0				
05	7,93					33,0	38,0				
06	9,53					33,0	38,0				
07	11,11					33,0	38,0				
08	12,70					33,0	38,0				
09	14,29					33,0	38,0				

ENTRY SIZE TABLE 2 - ELLIPTICAL ENTRY ONLY

ENTRY SIZE (ELLIPTICAL)	X MIN	Y MIN	U - TOP ENTRY MAIN BODY HEIGHT IN mm		F - 45° END ENTRY MAIN BODY HEIGHT IN mm		E - 90° END ENTRY MAIN BODY HEIGHT IN mm		J - 45° SIDE ENTRY MAIN BODY HEIGHT IN mm		S - 90° SIDE ENTRY MAIN BODY HEIGHT IN mm	
			WITHOUT COMB	WITH COMB(S)	WITHOUT COMB	WITH COMB(S)	WITHOUT COMB	WITH COMB(S)	WITHOUT COMB	WITH COMB(S)	WITHOUT COMB	WITH COMB(S)
07	13,0	9,5	MAIN BODY HEIGHT FOR ENTRY POSITION U IS DETERMINED BY SHELL SIZE - PLEASE SEE SHEET 3		MAIN BODY HEIGHT FOR ENTRY POSITION F IS DETERMINED BY SHELL SIZE - PLEASE SEE SHEET 3		36,0	41,0	MAIN BODY HEIGHT FOR ENTRY POSITION J IS DETERMINED BY SHELL SIZE - PLEASE SEE SHEET 3		MAIN BODY HEIGHT FOR ENTRY POSITION S IS DETERMINED BY SHELL SIZE - PLEASE SEE SHEET 3	
08	16,5	9,5					40,0	45,0				
09	20,5	9,5					44,0	49,0				
10	24,7	9,5					48,0	53,0				
11	29,4	9,5					NA	NA				
12	34,6	9,5					NA	NA				
13	40,2	9,5					NA	NA				
14	46,2	9,5					NA	NA				
15	52,7	9,5					NA	NA				
16	50,0	12,0					NA	NA				
17	49,2	13,9	NA	NA								
18	54,9	13,9	NA	NA								

RELEASED FOR PUBLICATION

ALL RIGHTS RESERVED.

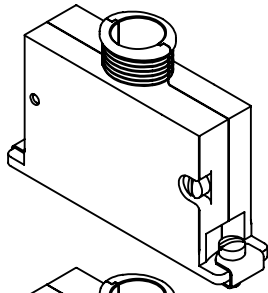
THIS DRAWING IS UNPUBLISHED. COPYRIGHT 20 BY



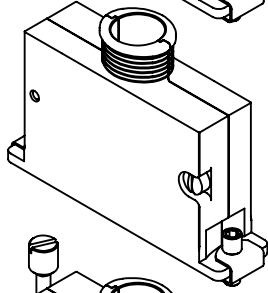
DIMENSIONS: MILLIMETERS	DWN: D. WRIGLEY 21/07/2020	MATERIAL:	FINISH:
	CHK: R. STYLES 23/07/2020	STE TE Connectivity	
TOLERANCES UNLESS OTHERWISE SPECIFIED: GENERAL TOL LINEAR ±0,25MM ANGULAR ±1°	APVD: M. PAUL 21/07/2020	PART NUMBER:	MBDSM SERIES
	PRODUCT SPEC: -	NAME: MICRO BAND TERMINATION D-SUB BACKSHELL	
APPLICATION SPEC: -	WEIGHT:	SIZE: A4	CAGE CODE: U5792
	DRAWING NO: Ⓒ-P43948		RESTRICTED TO
	CUSTOMER DRAWING		SCALE: 1:1
		SHEET: 5 OF 6	REV: AA

REVISIONS

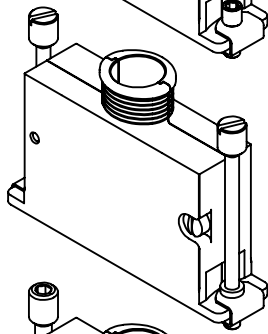
HARDWARE OPTIONS



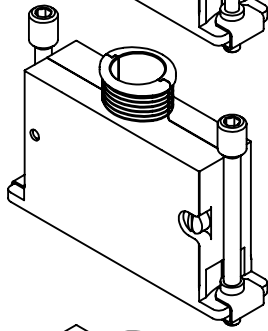
HARDWARE OPTION CODE: S
 SLOTTED HEAD JACKSCREW RETAINED WITH 'OVER-END' CLIP
 MATERIAL: STAINLESS STEEL, PASSIVATE FINISH
 NOT RECOMMENDED FOR USE WITH ENTRY POSITIONS F AND E



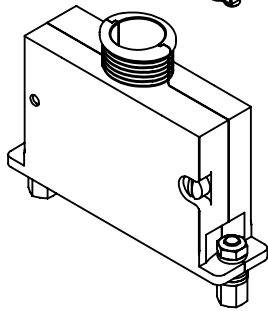
HARDWARE OPTION CODE: H
 HEX DRIVE SOCKET HEAD JACKSCREW RETAINED WITH 'OVER-END' CLIP
 MATERIAL: STAINLESS STEEL, PASSIVATE FINISH



HARDWARE OPTION CODE: E
 EXTENDED SLOTTED HEAD JACKSCREW RETAINED WITH 'OVER-END' CLIP
 MATERIAL: STAINLESS STEEL, PASSIVATE FINISH
 NOT AVAILABLE FOR ENTRY POSITIONS E AND F



HARDWARE OPTION CODE: K
 EXTENDED SOCKET HEAD JACKSCREW RETAINED WITH 'OVER-END' CLIP
 MATERIAL: STAINLESS STEEL, PASSIVATE FINISH
 NOT AVAILABLE FOR ENTRY POSITIONS E AND F



HARDWARE OPTION CODE: F
 FEMALE THREAD JACKPOST
 MATERIAL: STAINLESS STEEL, PASSIVATE FINISH


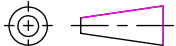
HARDWARE OPTION CODE: 0 (ZERO)
 BACKSHELL SUPPLIED WITHOUT HARDWARE

RELEASED FOR PUBLICATION

ALL RIGHTS RESERVED.

© COPYRIGHT 20 BY

THIS DRAWING IS UNPUBLISHED.

DIMENSIONS: MILLIMETERS	DWN: D. WRIGLEY	21/07/2020	MATERIAL:	FINISH:			
	CHK: R. STYLES	23/07/2020	 TE Connectivity				
TOLERANCES UNLESS OTHERWISE SPECIFIED:	APVD: M. PAUL	21/07/2020			PART NUMBER:	MBDSM SERIES	
GENERAL TOL LINEAR $\pm 0,25$ MM ANGULAR $\pm 1^\circ$	PRODUCT SPEC:	-	NAME: MICRO BAND TERMINATION D-SUB BACKSHELL				
	APPLICATION SPEC:	-	SIZE	CAGE CODE	DRAWING NO	RESTRICTED TO	
	WEIGHT:	-	A4	U5792	C=P43948		
	CUSTOMER DRAWING	SCALE		0.75:1	SHEET	6 OF 6	REV