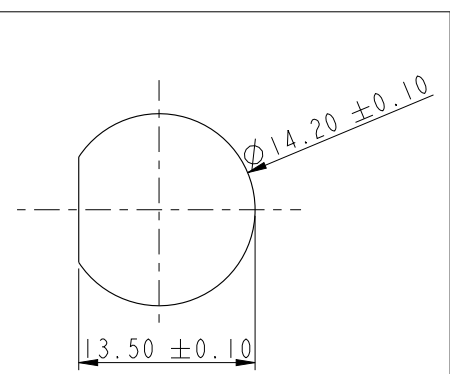
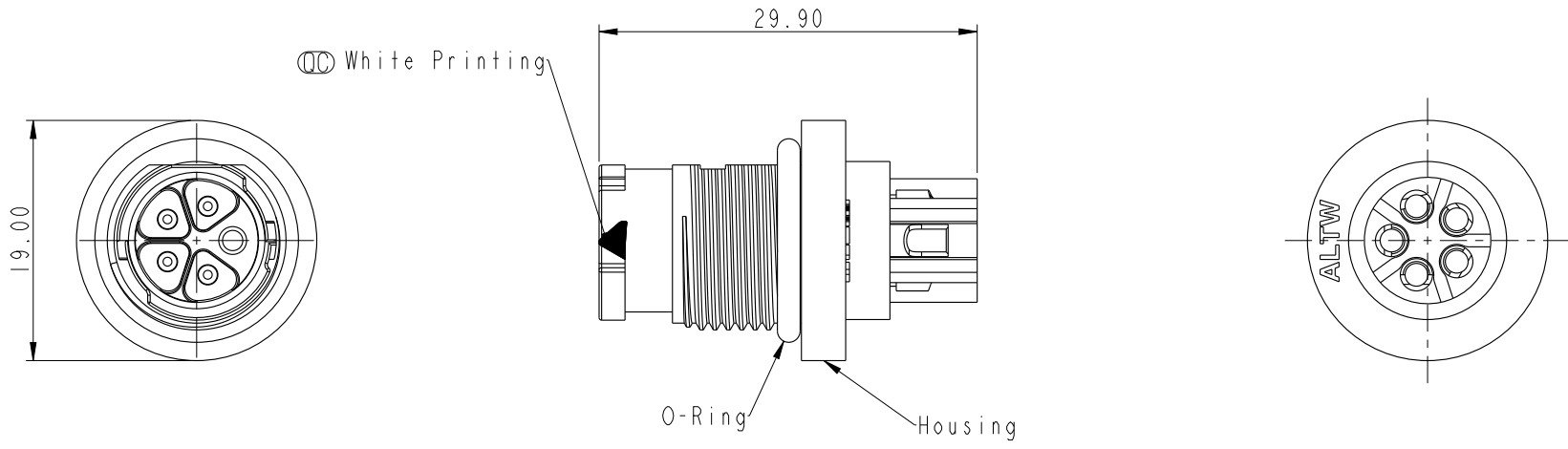


THIS DOCUMENT IS SUBJECT TO CHANGE WITHOUT NOTICE. IT IS CONFIDENTIAL AND A PROPERTY OF AMPHENOL LTW. DISCLOSURE TO THIRD PARTY HAS TO BE AUTHORIZED BY AMPHENOL LTW.

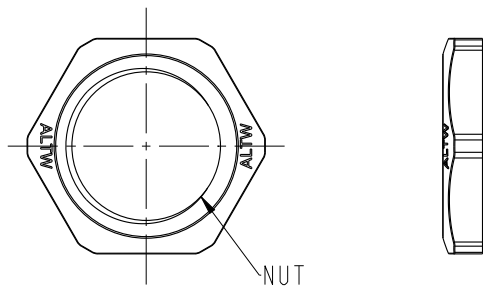
REV.	ECN NO.	DATE	SIGN	DESCRIPTION
B	C210383	2021-03-24	Ouyang	△ XI



Recommended Panel Cut-out

- Note: △ XI
- \* RoHS Compliant
  - \* (CC) Important Dimension
  - \* Waterproof Rate: IPX8, Unmated 1m/24h
  - \* Connector
    - Housing: Thermoplastic, Black
    - Pin: Copper Alloy, Gold Plated
  - \* Nut: Metal / Thermoplastic, Black
  - \* O-Ring: Rubber, Gray
  - \* Use Without Waterproof Cap
    - Panel Thickness Max: 4.0mm
  - \* Use With Waterproof Cap
    - Panel Thickness Max: 3.0mm
  - \* Gasket and nut are packed separately in PE bag
  - \* Nut is packed separately in PE bag
  - \* O-Ring / Gasket and nut are assembled on connectors

UNIT: mm TOLERANCE ±0.5mm	TITLE X Lok A-Size Receptacle Front Fastened M Conn M Pin I6A			<h1>Amphenol LTW</h1> <p>安費諾亮泰企業股份有限公司</p>	ITEM NO	DRAWN BY Ouyang	DATE 2021-01-23
	SCALE 1:1	SIZE A4	SHEET 1 OF 2		DWG NO AG-XXPMJS-QC800P	CHECKED BY Jerry	DATE 2021-01-23
	REV. B	WC-REV. .0	(CC): Inspection item		CUSTOMER ALTW	APPROVED BY Fred	DATE 2021-01-23



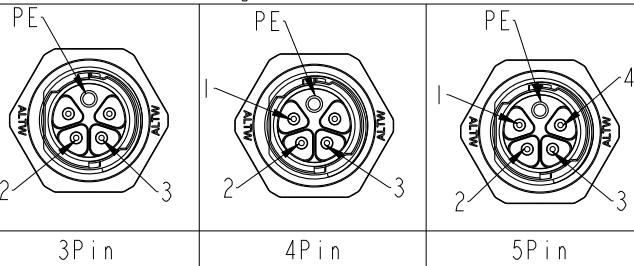
(AG) I6A      AG- XX P M J S- Q C 8 0 0 P

03: 3Pin  
04: 4Pin  
05: 5Pin

P: Front Fastened  
M: Male Connector (公座)  
J: Male Pin And Female grounding Pin

8: IP68 (防水等級68)  
C: Circular Backshell  
Q: Push Lock  
S: Solder Type

Pin Assignments Front View



UNIT:mm TOLERANCE ±0.5mm			TITLE X Lok A-Size Receptacle Front Fastened M Conn M Pin I6A		ITEM NO	DRAWN BY	DATE
	SCALE 1:1	SIZE A4	SHEET 2 OF 2		DWG NO AG-XXPMJS-QC800P	CHECKED BY Jerry	DATE 2020-09-07
	REV. B	WC-REV. .0	Inspection item		CUSTOMER ALTW	APPROVED BY Fred	DATE 2020-09-07

**Amphenol LTW**  
安費諾亮泰企業股份有限公司