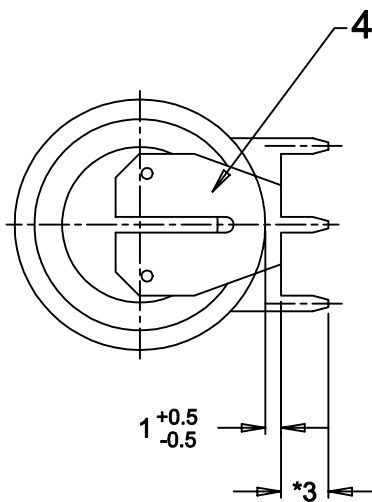
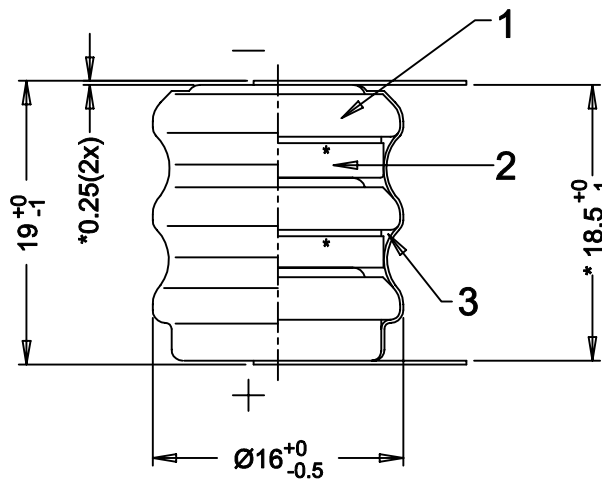
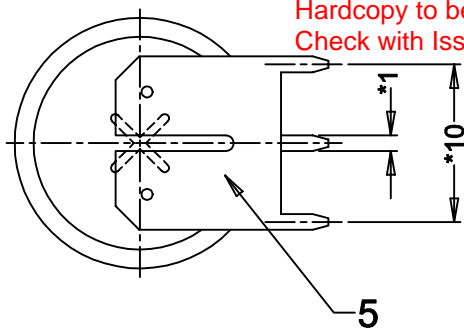


This is a controlled document.

Hardcopy to be endorsed by authorized person.

Check with Issuing Office or SAP system for latest update.



Note : \* Dimensions for reference only.

Approx. wt : 13 g

No.	Alterations:	Date:	Name:	Dimensions in mm	Material:	
0	AO 43/03; Refer to SPF # 1939	2000-03-20	Ratna	Tolerance: As Specified	Refer to part list no: 072248	
				Projection:	Description:  <b>3/V65HT SK S PCBD</b> with shrink sleeve & PC tags	
			Scale: 2 : 1			
			Loc. : 1	Date: 2000-03-20		Name: Ratna
			Prepared:	2003-		Approved:

RIGHTS RESERVED TO MAKE TECHNICAL CHANGES, AS A RESULT OF FURTHER DEVELOPMENT, WITHOUT NOTICE. THIS DRAWING IS THE PROPERTY OF VARTA BATTERIES PTE LTD AND MUST NOT BE COPIED OR DISCLOSED TO A THIRD PARTY WITHOUT THE WRITTEN CONSENT OF VARTA BATTERIES PTE LTD.



Dwg. No:	072248	4	0	0
VKB Order No:	55707 303 059			
Released : 2003-04-16				