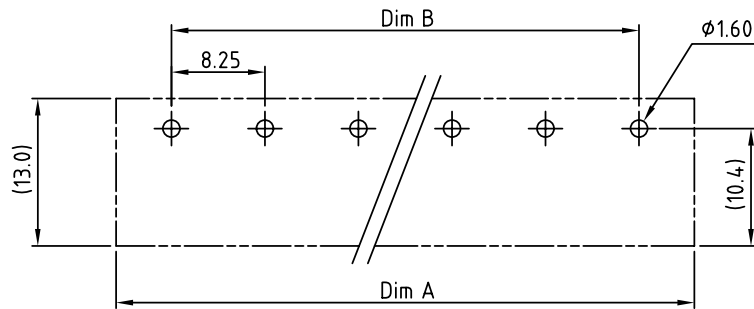
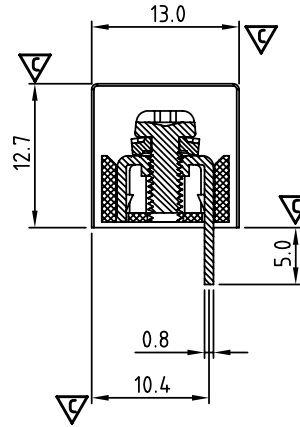
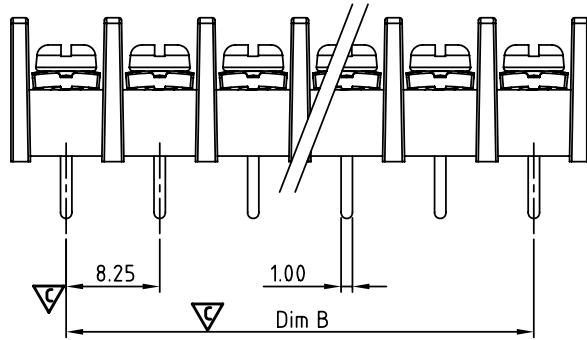
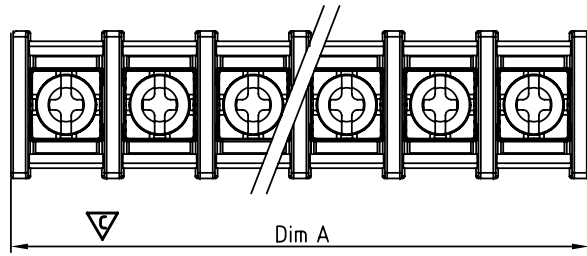


SIGN	DATE	DESCRIPTION	APPROVER
△	2/06'06	Part No. changed	Tony
△	07/12'10	Recommended P.C.B Layout is changed	Aaron
△	11/08'12	Change the screw plating specification	Jacky



THIS IS CAD DRAWING, DO NOT REVISE MANUALLY!!!



RECOMMENDED PCB LAYOUT △

MATERIALS ELECTRICAL

RATED VOLTAGE & CURRENT: 300 V, 20 A
 WITHSTAND VOLTAGE: AC 2000 V/Min
 INSULATION RESISTANCE: 1000 MΩ OR MORE AT DC 500 V
 OPERATING TEMPERATURE RANG: -40 °C ~ +115 °C
 SCREW TORQUE VALUE: 8.8 Lb-In.
 WIRE RANGE: 22 - 12 AWG
 1) MOLDED PARTS: PA 66, UL 94 V-0 BLACK
 2) TERMINAL: BRASS, 0.8t, Tin PLATED
 3) TERMINAL SCREWS: STEEL, M3

APPROVAL: 
 △ PART NO.:
 Critical dimension: 

YK 421 xx 0 x x 00G

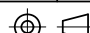
NO. OF POLES
 02: 2 POLES
 03: 3 POLES
 04: 4 POLES
 ...
 30: 30 POLES

RoHS compliant
 (lead<4%) in copper Alloy

MARK
 0: "@" MARK
 1: "ANY" MARK

TERMINAL & SCREW PLATED
 0: TERMINAL & SCREW: G/F
 △ 1: TERMINAL: G/F, SCREW: Zinc
 2: TERMINAL: Sn, SCREW: G/F
 △ 3: TERMINAL: Sn, SCREW: Zinc

POLE	1	2	3	4	5	6	7	8	9	10	11	12	13	14	15	16
Dim A		18.22	26.47	34.72	42.97	51.22	59.47	67.72	75.97	84.22	92.47	100.72	108.97	117.22	125.47	133.72
Dim B		8.25	16.50	24.75	33.00	41.25	49.50	57.75	66.00	74.25	82.50	90.75	99.00	107.25	115.50	123.75
Tol	±0.30								±0.40							
POLE	17	18	19	20	21	22	23	24	25	26	27	28	29	30	31	32
Dim A	141.97	150.22	158.47	166.72	174.97	183.22	191.47	199.72	207.97	216.22	224.47	232.72	240.97	249.22	257.47	265.72
Dim B	132.00	140.25	148.50	156.75	165.00	173.25	181.50	189.75	198.00	206.25	214.50	222.75	231.00	239.25	247.50	255.75
Tol	±0.50								±0.60							

ANYTEK				CUSTOMER COPY			
ALL RIGHTS RESERVED. REPRODUCTION OR ISSUE TO THIRD PARTIES IN ANY FORM WHATSOEVER IS NOT PERMITTED WITHOUT WRITTEN AUTHORITY FROM THE PROPRIETOR. PROPERTY OF ANYTEK TECHNOLOGY CO., LTD							
TITLE		YK-421 W/O Flange Series					
PART NO.		YK421xx0xx00G		DWG NO.		8YK0001-421	
APPROVED		CHECKED		DESIGNED		DRAWN	
				Jacky 2012.11.08		Jacky 2012.11.08	
				CUST NO.		Tolerance	
						X. ±0.50 X.X ±0.30 X.XX ±0.10 X° ±1°	
				SHEET: 01/01		REV.: E	