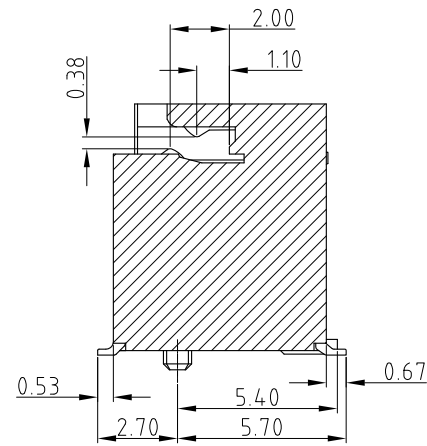
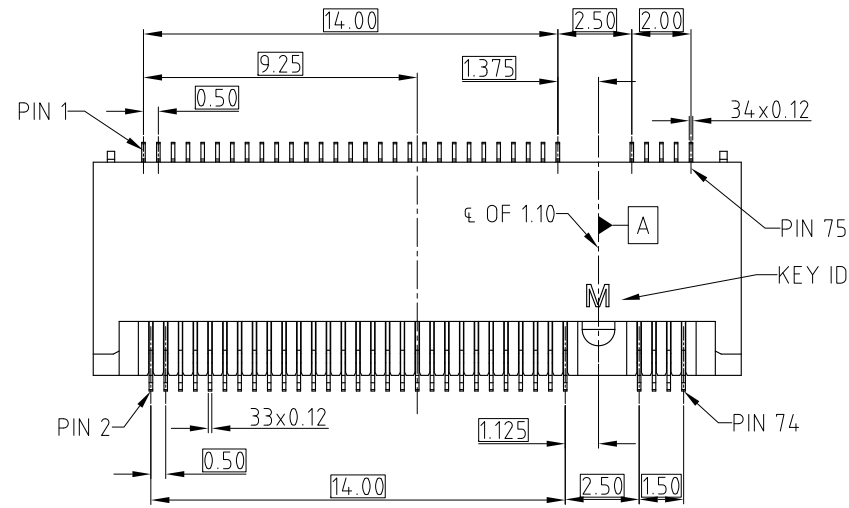


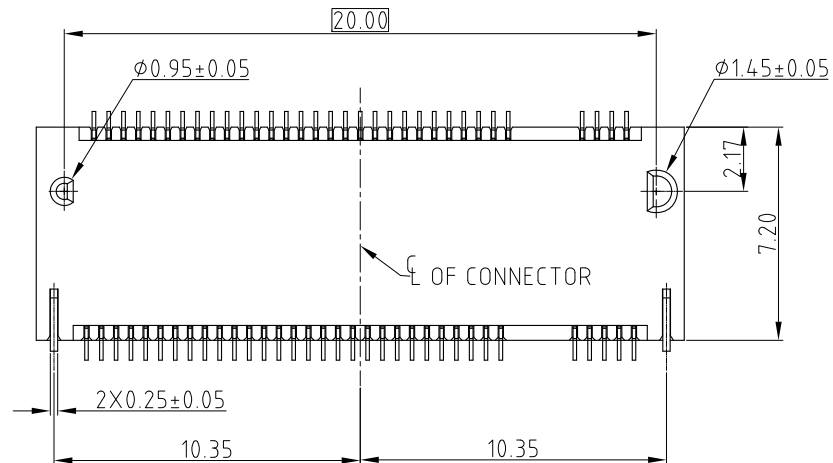
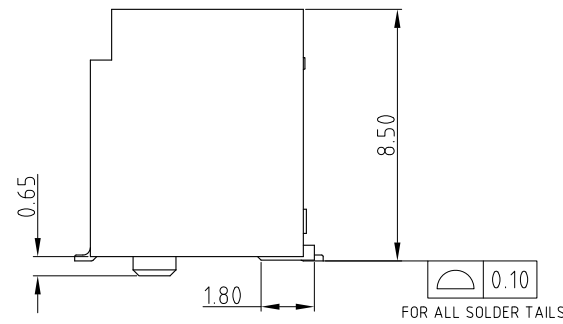
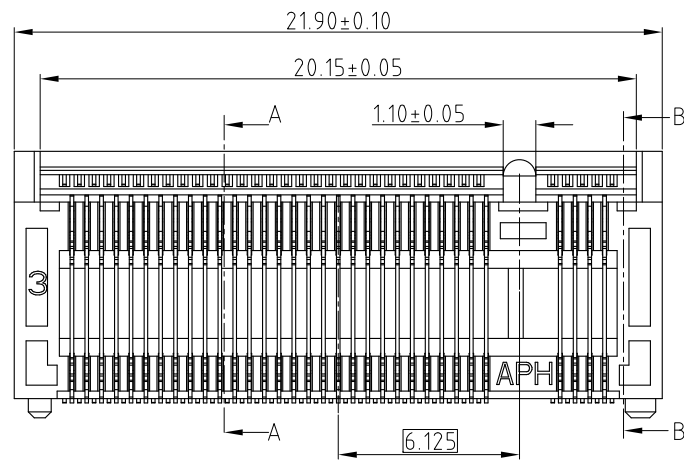
This document is the property of Amphenol Corporation and is delivered on the express condition that it is not to be disclosed, reproduced or used, in whole or in part, for manufacture or sale by anyone other than Amphenol Corporation without its prior consent, & that no right is granted to disclose or to use any information in this document.

CUSTOMER DRAWING

REVISIONS				
SYM	ECN	DESCRIPTION	DATE	APPROVED
1	CDXXXX	PROPOSAL DRAWING	Jan.19,2020	YH
1	CD2218	OFFICIAL RELEASE	Jan.19,2020	YH



SECTION A-A



NOTE:

- MATERIAL:
 PLASTIC: LCP, UL 94V-0, BLACK
 CONTACT: COPPER ALLOY
 BOARD LOCK: ALLOY
- FINISHED:
 CONTACT AREA: 0.76um MIN Au PLATED
 SOLDER AREA: GOLD FLASH
 BOARD LOCK: 2.54um MIN TIN PLATED
 UNDERPLATED: 1.27um MIN NICKEL PLATED
- ELECTRICAL PERFORMANCE:
 3.1 CURRENT RATING: 0.5A PER POWER PIN
 3.2 DIELECTRIC STRENGTH: 300V AC FOR 1 MINUTE
 3.3 INSULATION RESISTANCE: 500MΩ MIN
 3.4 CONTACT RESISTANCE: DELTA 20mΩ MAX
 3.5 OPERATION TEMPERATURE: -40°C TO +85°C
- DIMENSIONING SHALL BE INTERPRETED PER ASME Y14.5M 1994
- MATERIAL IS FULFILLED RoHS AND HALOGEN FREE
- ORDER P/N: MDT850M01501

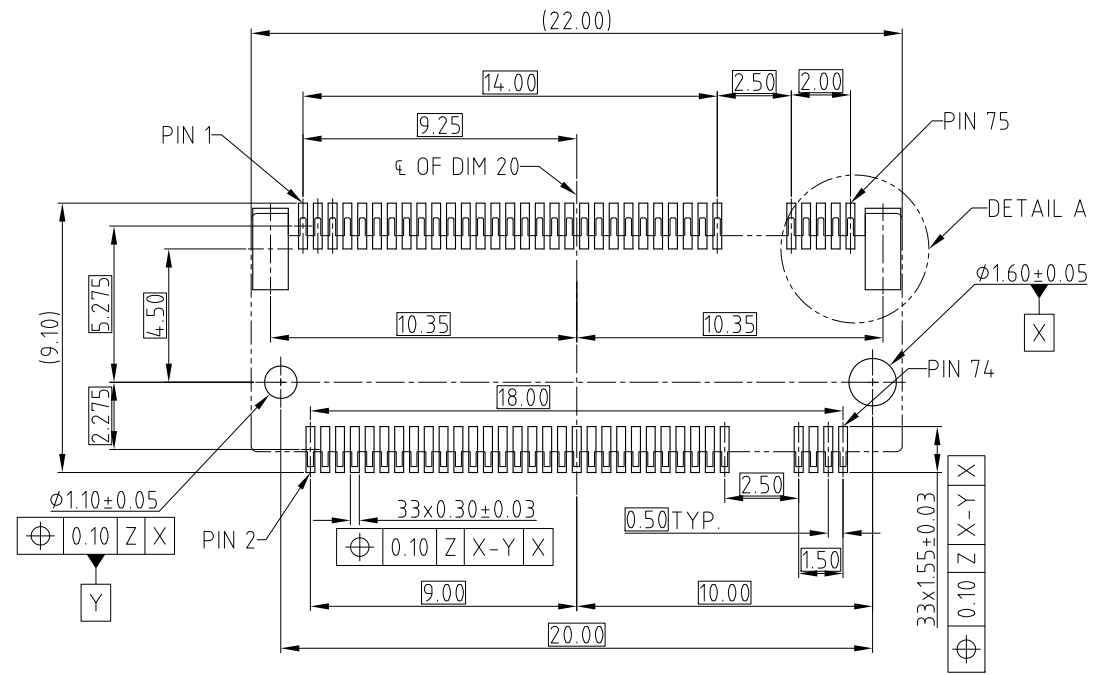


UNLESS OTHERWISE SPECIFIED TOLERANCES U.S. METRIC .X +/- 0.50 .XX +/- 0.25 .XXX +/- FRACTIONS +/- ANGLES +/- 5° FOR MATERIALS AND FINISHES SEE NOTES REMOVE SHARP EDGES DIMENSIONS U.S. INCHES (METRIC) (MM)	APPROVAL		DATE		Amphenol TITLE M.2 MINI PCIe Gen5 CONNECTOR SIZE DRAWING NO. REV. A3 C MDT850M01501 1 SCALE NONE SHEET 1 OF 2
	DRAWN	Yunx.liu	Jan.19,2020		
	CHECKED	Ly.yi	Jan.19,2020		
	APPROVED				
DRAWING FILE :		INTERNAL\DRAWING\M.2\CMDT850M01501			
ANGLE OF PROJECTION					

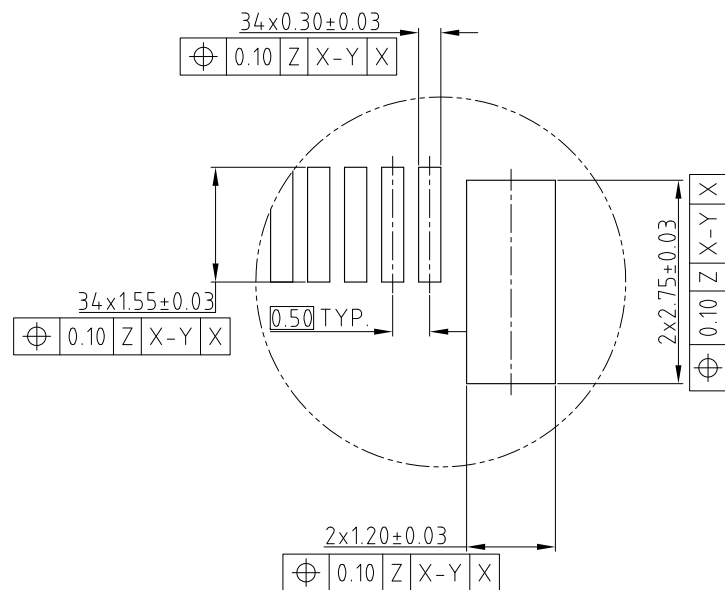
This document is the property of Amphenol Corporation and is delivered on the express condition that it is not to be disclosed, reproduced or used, in whole or in part, for manufacture or sale by anyone other than Amphenol Corporation without its prior consent, & that no right is granted to disclose or to use any information in this document.

CUSTOMER DRAWING

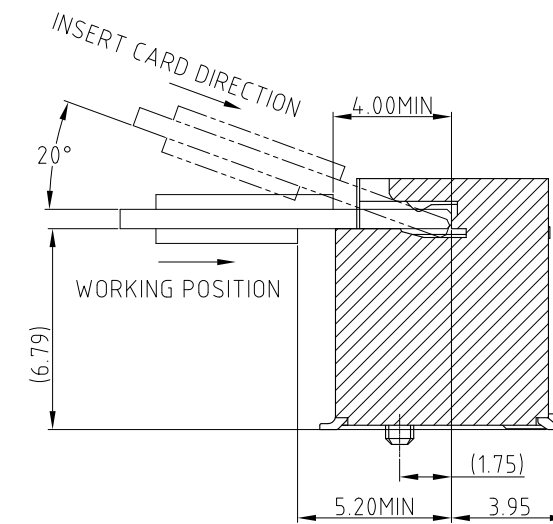
REVISIONS				
SYM	ECN	DESCRIPTION	DATE	APPROVED
		SEE SHEET 1		



RECOMMENDED PCB OUTLINE
DATUM Z: PCB SOLDER SURFACE



DETAIL A
SCALE 2.5:1



SECTION B-B



UNLESS OTHERWISE SPECIFIED TOLERANCES U.S. METRIC .X +/- 0.50 .XX +/- 0.25 .XXX +/- FRACTIONS +/- ANGLES +/- 5° FOR MATERIALS AND FINISHES SEE NOTES REMOVE SHARP EDGES DIMENSIONS U.S. INCHES (METRIC) (MM)	APPROVAL		DATE
	DRAWN	Yunx.liu	Jan.19,2020
	CHECKED	Ly.yi	Jan.19,2020
	APPROVED		
DRAWING FILE :		INTERNAL\DRAWING\M.2\CMDT850M01501	
ANGLE OF PROJECTION			

Amphenol

TITLE
M.2 MINI PCIe Gen5 CONNECTOR

SIZE	DRAWING NO.	REV.
A3	C MDT850M01501	1
SCALE	NONE	SHEET 2 OF 2