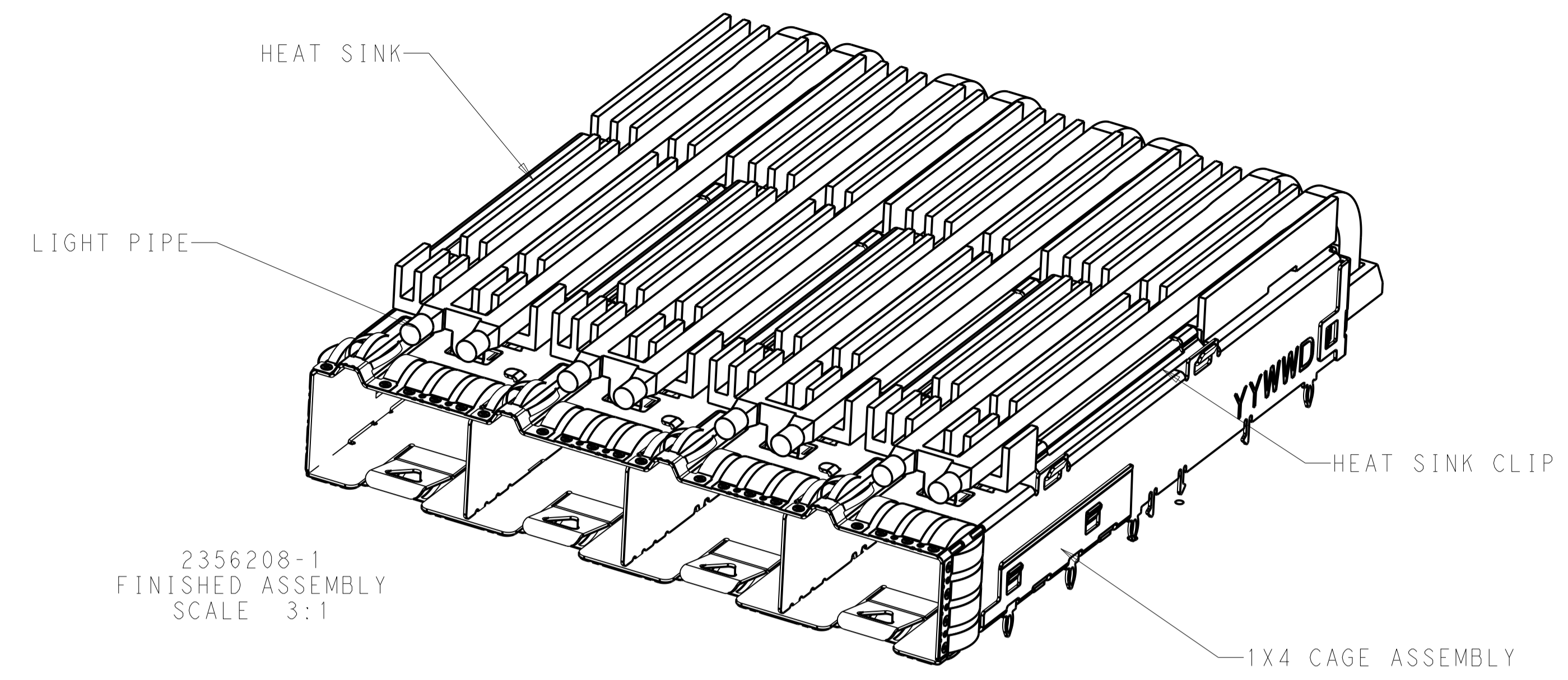
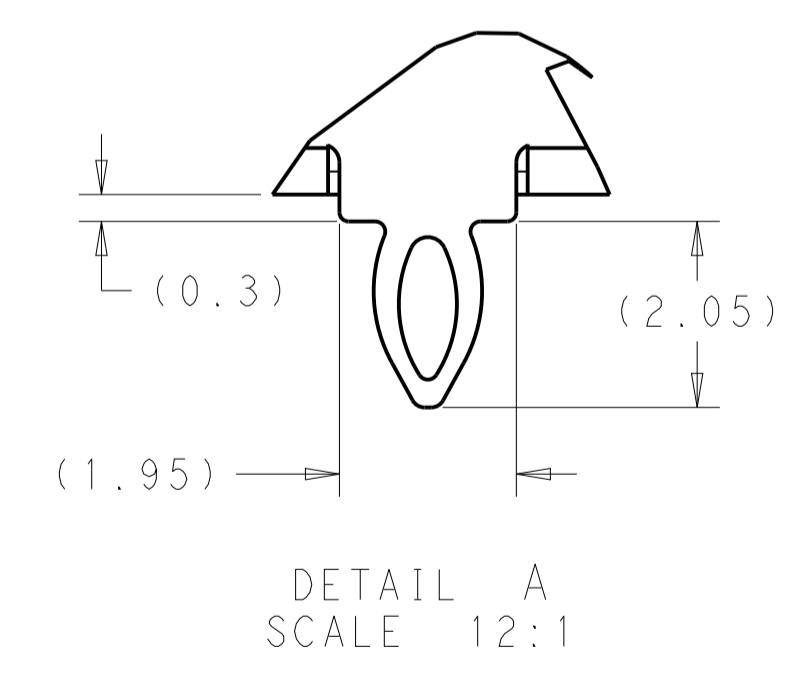
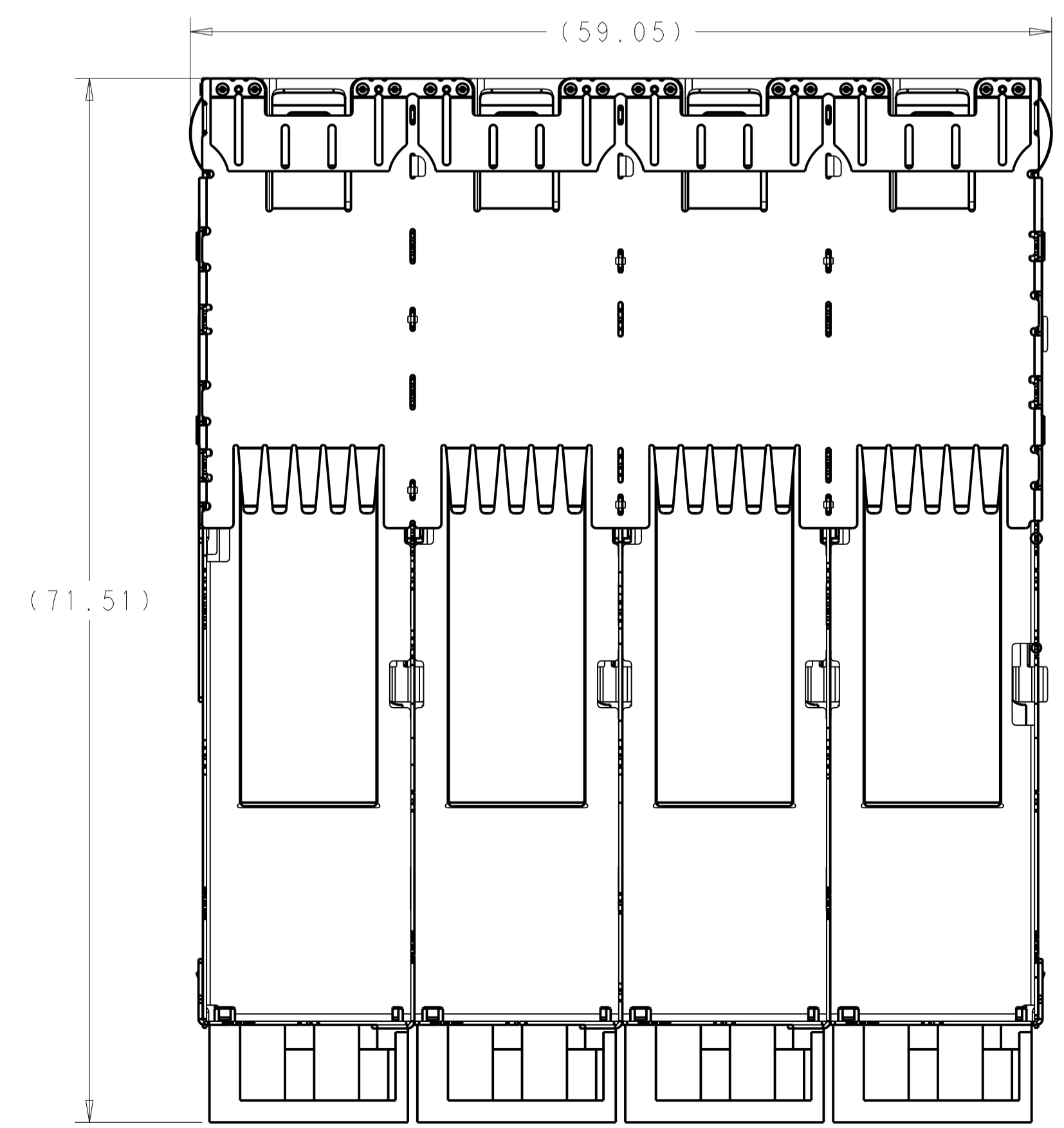
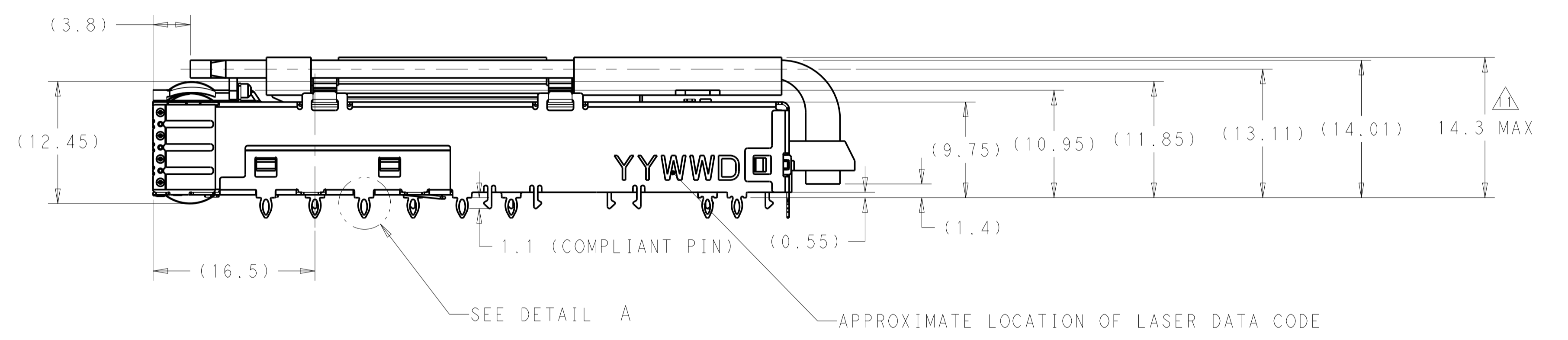
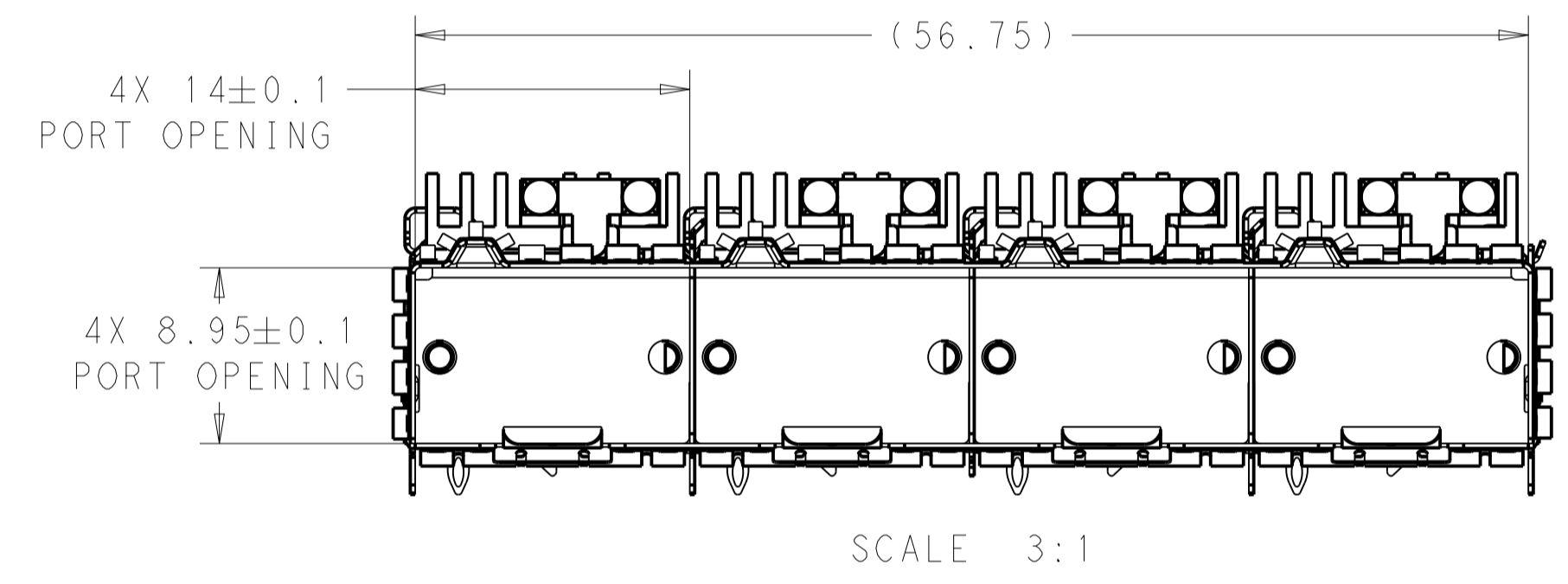


LOC	DIST	REVISIONS			
GP	00	REV	DATE	BY	CHK
		A	PRODUCTION RELEASE	16JAN2021	SZH



- CAGE: 0.25mm THICK STAINLESS STEEL  
EMI SPRINGS: COPPER ALLOY  
HEAT SINK: ALUMINUM  
HEAT SINK CLIP: STAINLESS STEEL  
LIGHT PIPE: CLEAR POLYCARBONATE
  - FINISH:  
SPRINGS: 0.8um NICKEL. NON-PLATED EDGES PERMISSIBLE.  
HEAT SINK: SEE TABLE
  - MATES WITH SFP-DD MSA COMPLIANT TRANSCEIVERS.
  - INTERPRETATION OF DATUM REFERENCE FRAME IN ACCORDANCE WITH SECT 4.4.1.1 OF ASME Y14.5M-1994.
  - MINIMUM PC BOARD THICKNESS:  
SINGLE SIDED = 1.57mm  
DOUBLE SIDED = 2.20mm
- △ DATUM AND BASIC DIMENSION ESTABLISHED BY CUSTOMER.
- △ REFERENCE APPLICATION SPEC. 114-60027, HOLE A, FOR RECOMMENDED DRILL HOLE DIAMETER AND PLATING THICKNESS.
- △ REFERENCE APPLICATION SPEC. 114-60027, HOLE B, FOR RECOMMENDED DRILL HOLE DIAMETER AND PLATING THICKNESS.
- △ HOLE PATTERN REPEATS FOR EACH PORT. SPACING BETWEEN PORTS IS 14.25mm.
10. DATUM **-A-** IS TOP SURFACE OF THE HOST BOARD.
- △ HEAT SINK HEIGHT IS APPLIED AFTER MODULE INSERTED.



WITHOUT	NICKLE PLATING	1-2356208-1
WITH	BLACK ANODIZATION	2356208-3
WITH	BLACK ANODIZATION	2356208-2
WITH	NICKLE PLATING	2356208-1
LP	HEAT SINK FINISH	PART NUMBER

THIS DRAWING IS A CONTROLLED DOCUMENT. DIMENSIONS: mm. TOLERANCES UNLESS OTHERWISE SPECIFIED: 0 PLC ±0.25, 1 PLC ±0.25, 2 PLC ±0.20, 3 PLC ±0.20, 4 PLC ±0.20, ANGLES ±.

OWN: VINDY LIU 08MAY2019, CHK: SEAN HAN 08MAY2019, APVD: [Signature]

PRODUCT SPEC: 108-60128, APPLICATION SPEC: 114-60027, WEIGHT: [Blank]

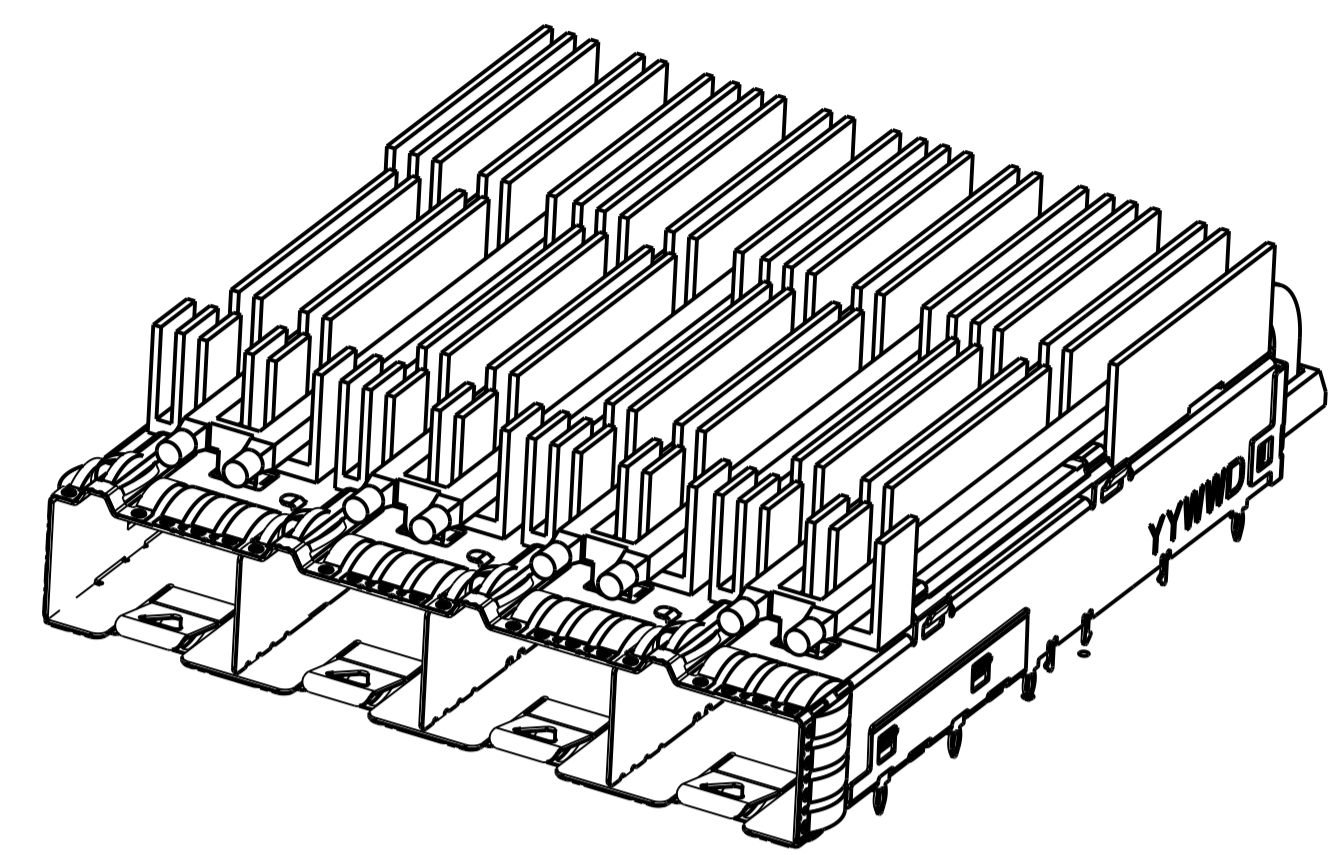
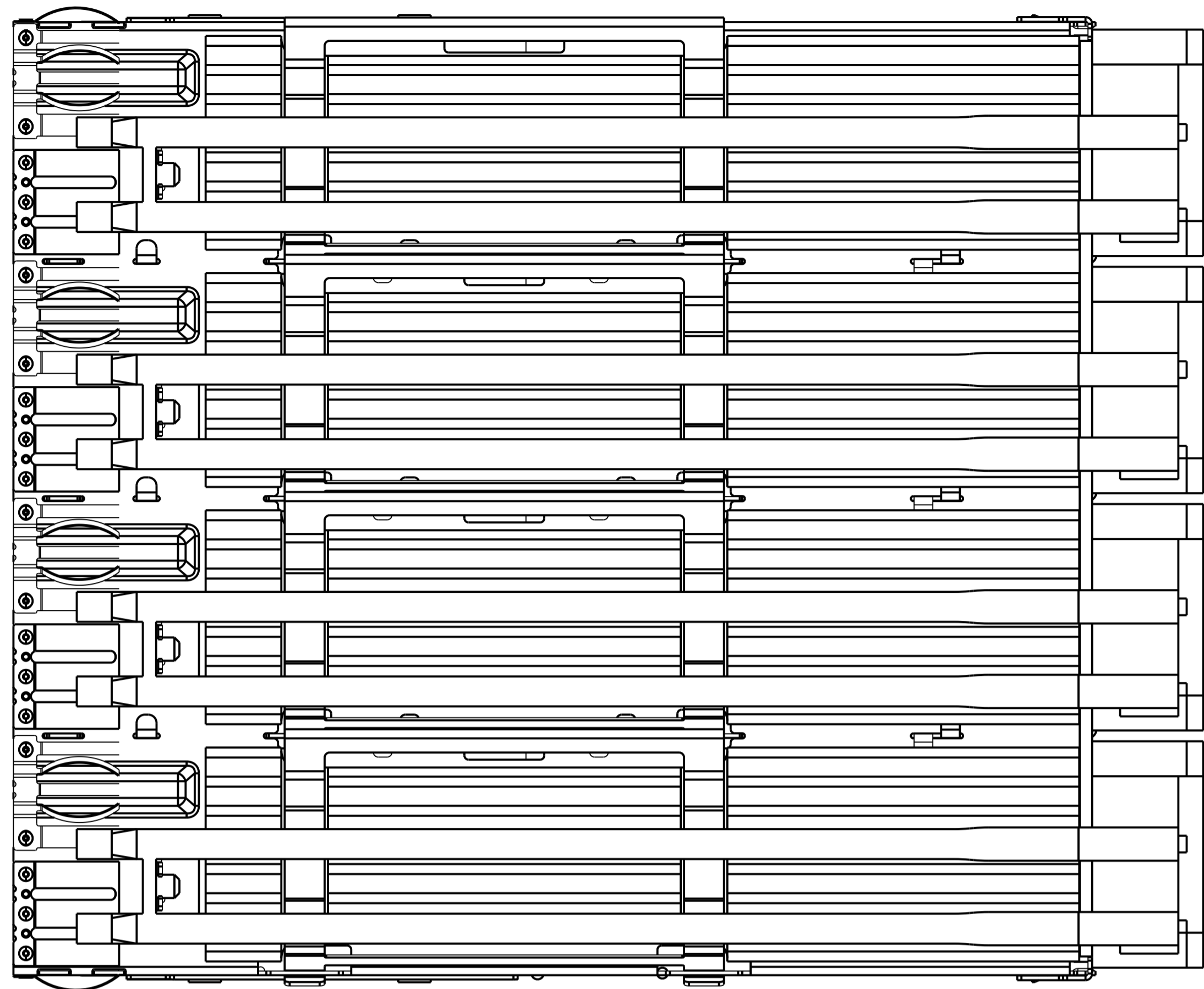
**STE** TE Connectivity

NAME: SFPDD 1X4 CAGE ASSEMBLY W/LP HS PRESS-FIT, EXTERNAL EMI SPRINGS

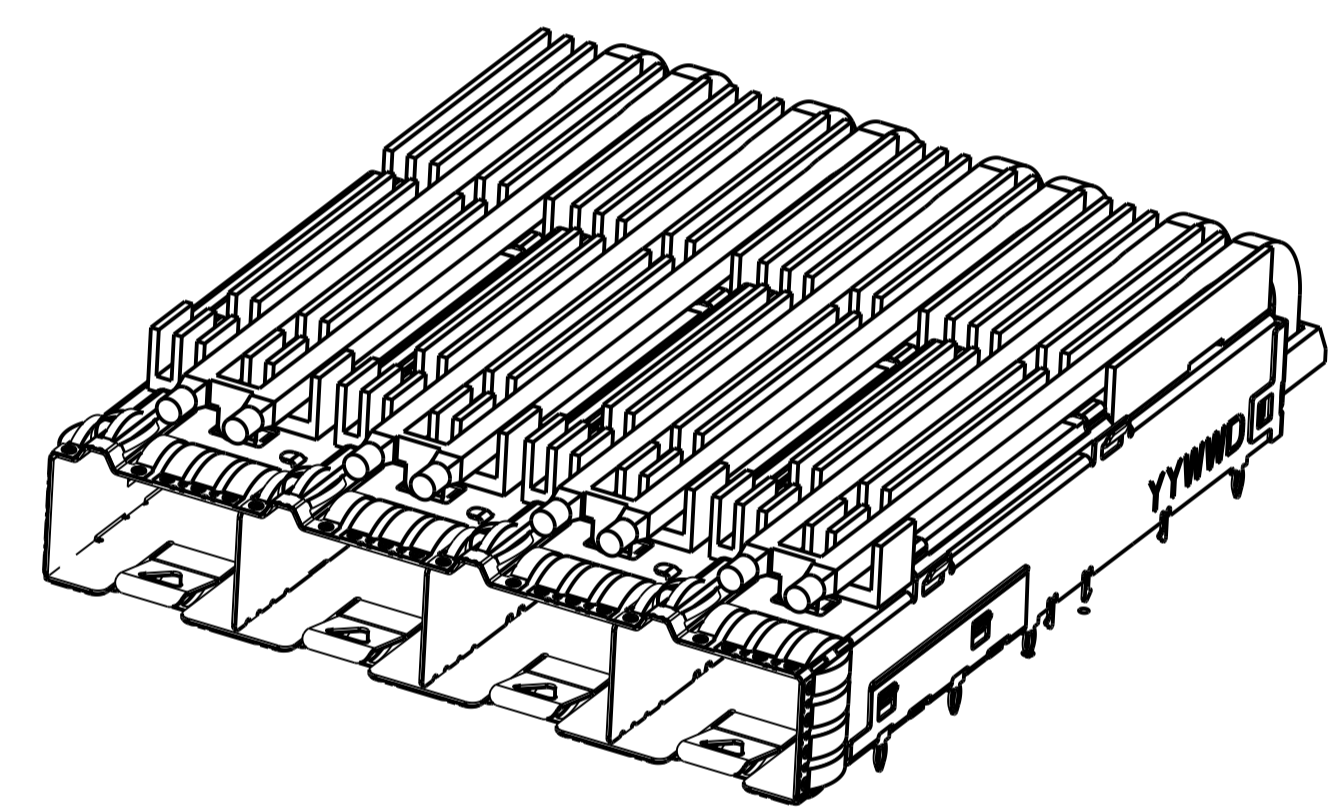
SIZE: A1, CAGE CODE: 00779, DRAWING NO: 2356208, RESTRICTED TO: [Blank]

CUSTOMER DRAWING, SCALE: 1:1, SHEET: 1 OF 6, REV: A

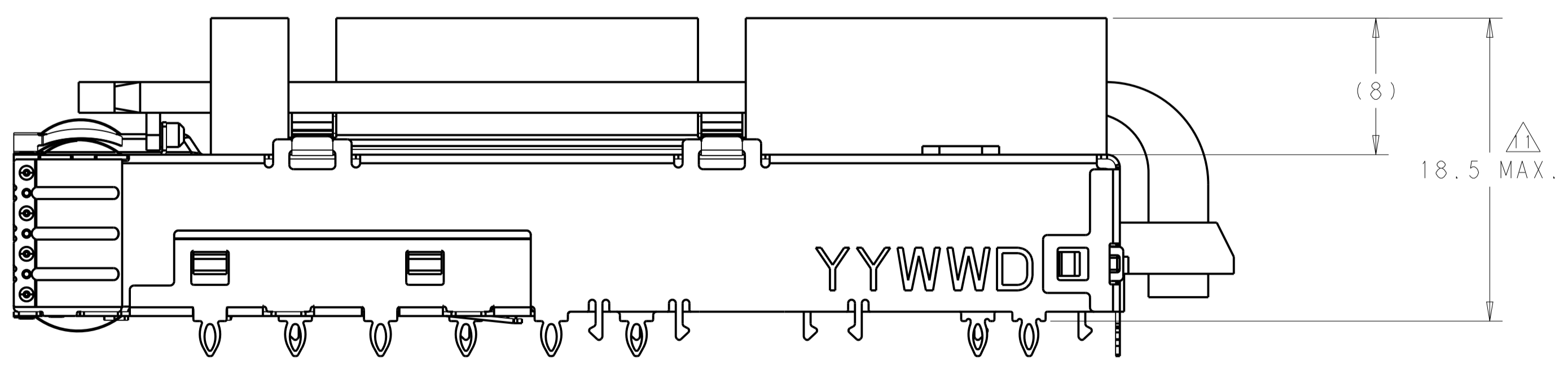
LOC		DIST		REVISIONS			
GP	00	P	LYR	DESCRIPTION	DATE	DWN	APVD
		-		SEE SHEET 1			



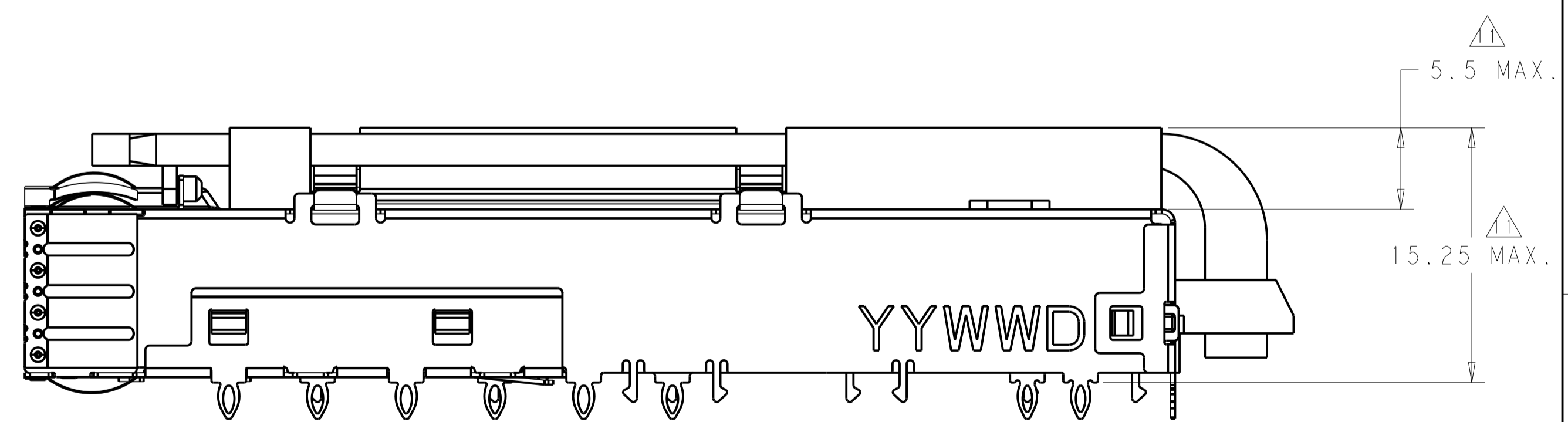
2356208-2 AS SHOWN  
SCALE 2:1



2356208-3 AS SHOWN  
SCALE 2:1



2356208-2 AS SHOWN  
UNSPECIFIED DIMENSION SAME AS -1  
SCALE 4:1



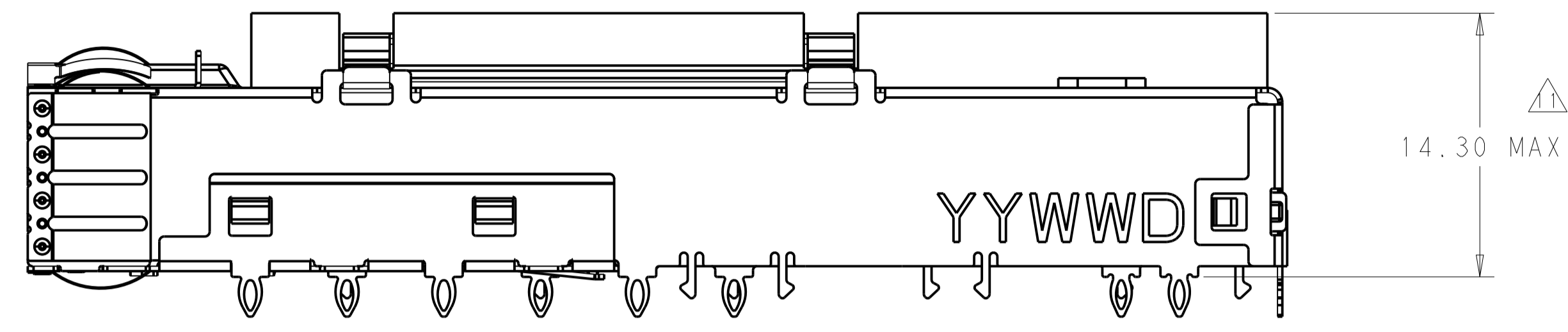
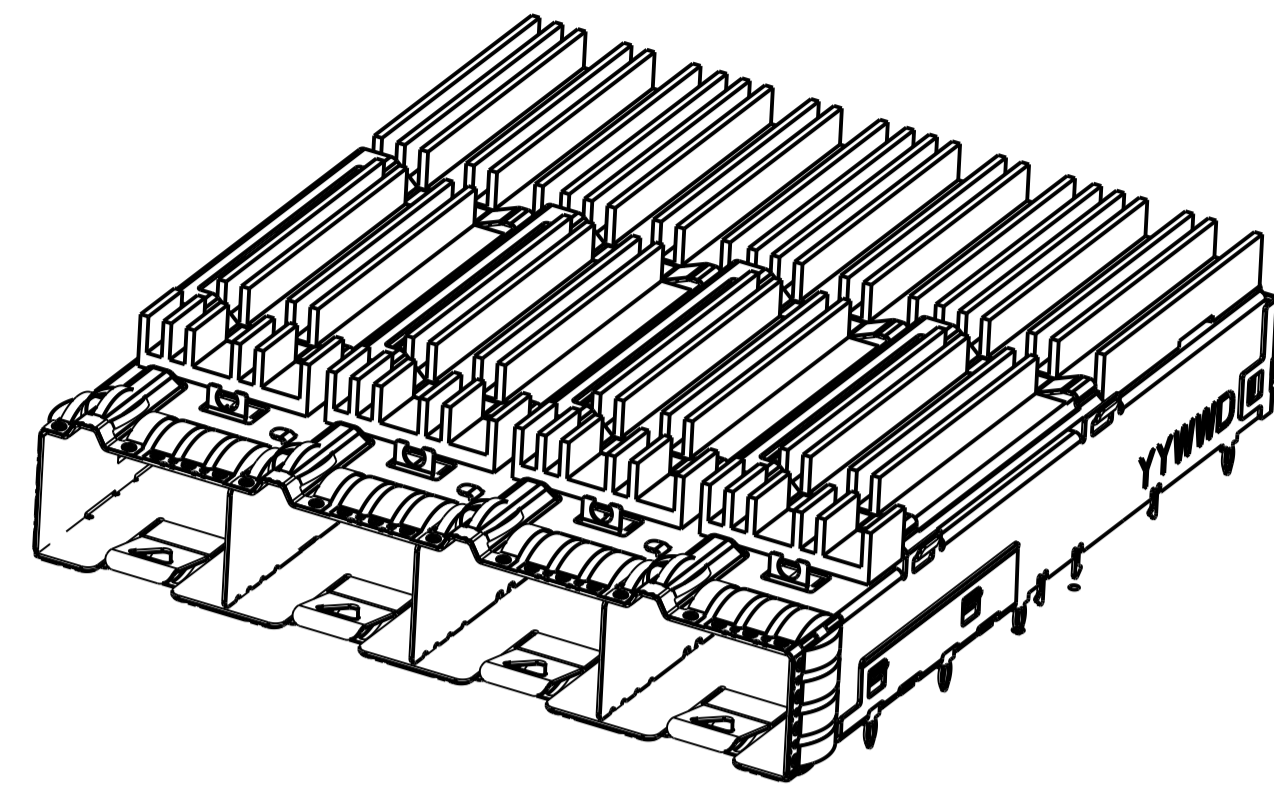
2356208-3 AS SHOWN  
UNSPECIFIED DIMENSION SAME AS -1  
SCALE 4:1

THIS DRAWING IS A CONTROLLED DOCUMENT.		OWN VINDY LIU 08MAY2019	TE Connectivity
DIMENSIONS:		CHK SEAN HAN 08MAY2019	
mm	TOLERANCES UNLESS OTHERWISE SPECIFIED:	APVD	NAME
0 PLC	±0.25	PRODUCT SPEC	SFPDD 1X4 CAGE ASSEMBLY W/LP HS
1 PLC	±0.25	APPLICATION SPEC	PRESS-FIT, EXTERNAL EMI SPRINGS
2 PLC	±0.20	SIZE	A1
3 PLC	±0.20	CAGE CODE	100779
4 PLC	±0.20	DRAWING NO	C=2356208
ANGLES	±	RESTRICTED TO	
MATERIAL	FINISH	WEIGHT	
		CUSTOMER DRAWING	SCALE 1:1 SHEET 2 OF 6 REV A

LOC	DIST	REV	DATE	BY	APPV
GP	00				

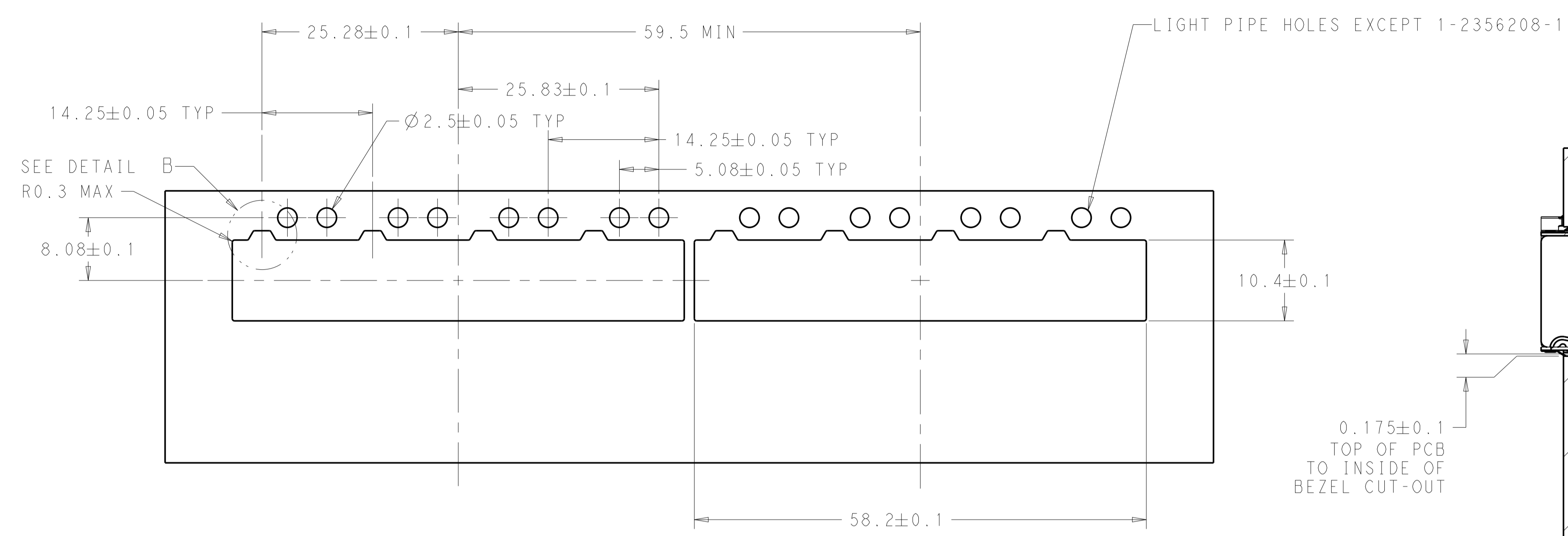
REVISIONS					
REV	DATE	BY	APPV	DESCRIPTION	DATE
-	-	-	-	SEE SHEET 1	-



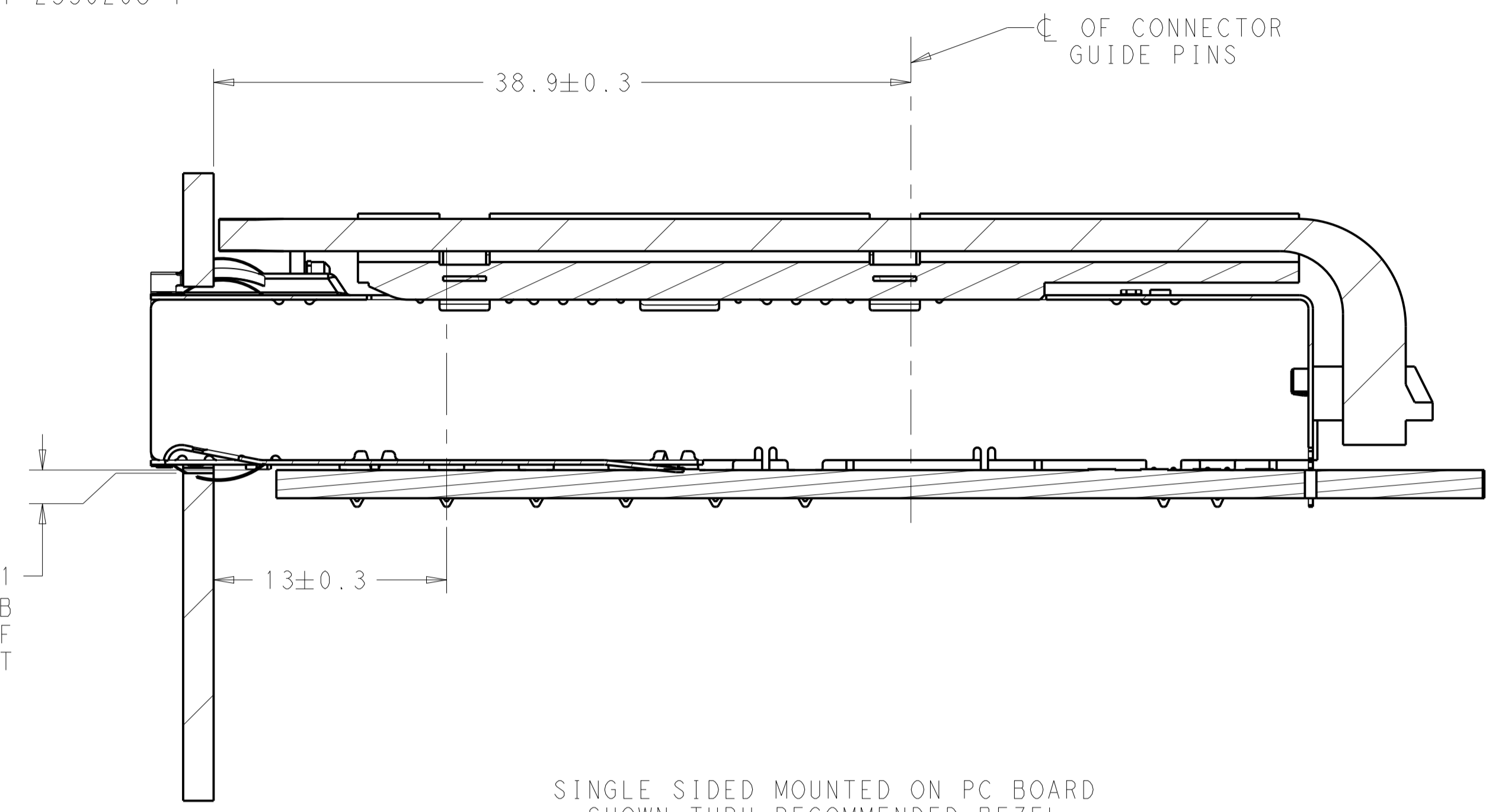
1-2356208-1 SAME AS 2356208-1 EXCEPT WITHOUT LP  
 SCALE 2:1

THIS DRAWING IS A CONTROLLED DOCUMENT.		OWN: WINDY LIU 08MAY2019	TE Connectivity
DIMENSIONS: mm		CHK: SEAN HAN 08MAY2019	
TOLERANCES UNLESS OTHERWISE SPECIFIED:		APVD:	NAME: SFPDD 1X4 CAGE ASSEMBLY W/LP HS PRESS-FIT, EXTERNAL EMI SPRINGS
0 PLC ±0.25	1 PLC ±0.25	PRODUCT SPEC: 108-60128	SIZE: A
2 PLC ±0.20	3 PLC ±0.20	APPLICATION SPEC: 114-60027	CAGE CODE: 00779
4 PLC ±0.20	ANGLES ±	WEIGHT: -	DRAWING NO: C=2356208
FINISH: -	MATERIAL: -	CUSTOMER DRAWING	RESTRICTED TO: -
SCALE: 1:1			SHEET 3 OF 6
REV: A			

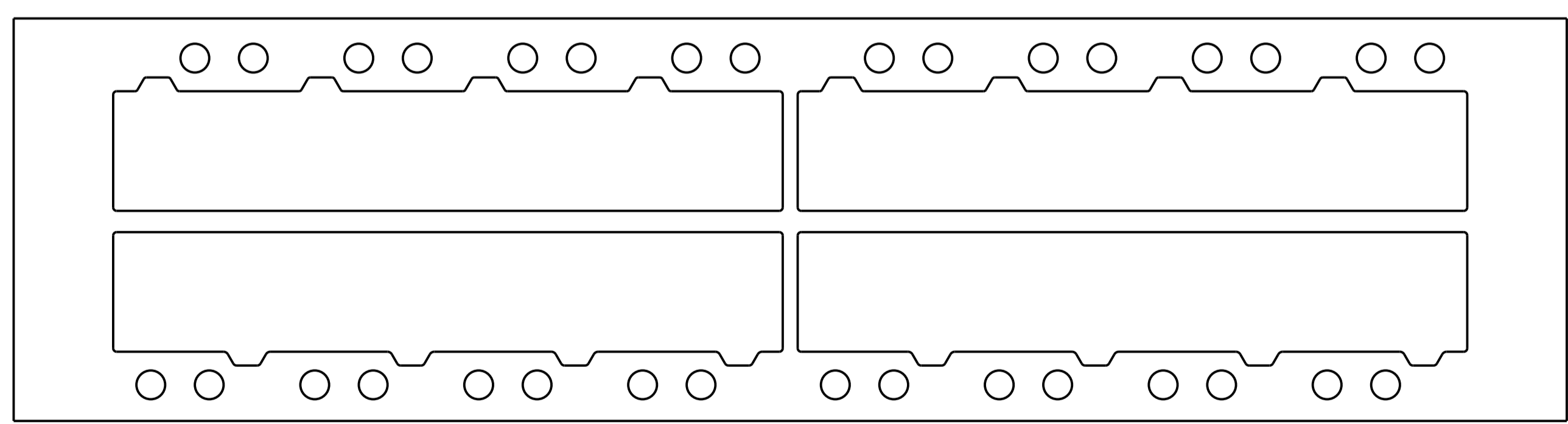
LOC		DIST		REVISIONS			
GP	00	REV	LTN	DESCRIPTION	DATE	DMN	APVD
-	-	-	-	SEE SHEET 1	-	-	-



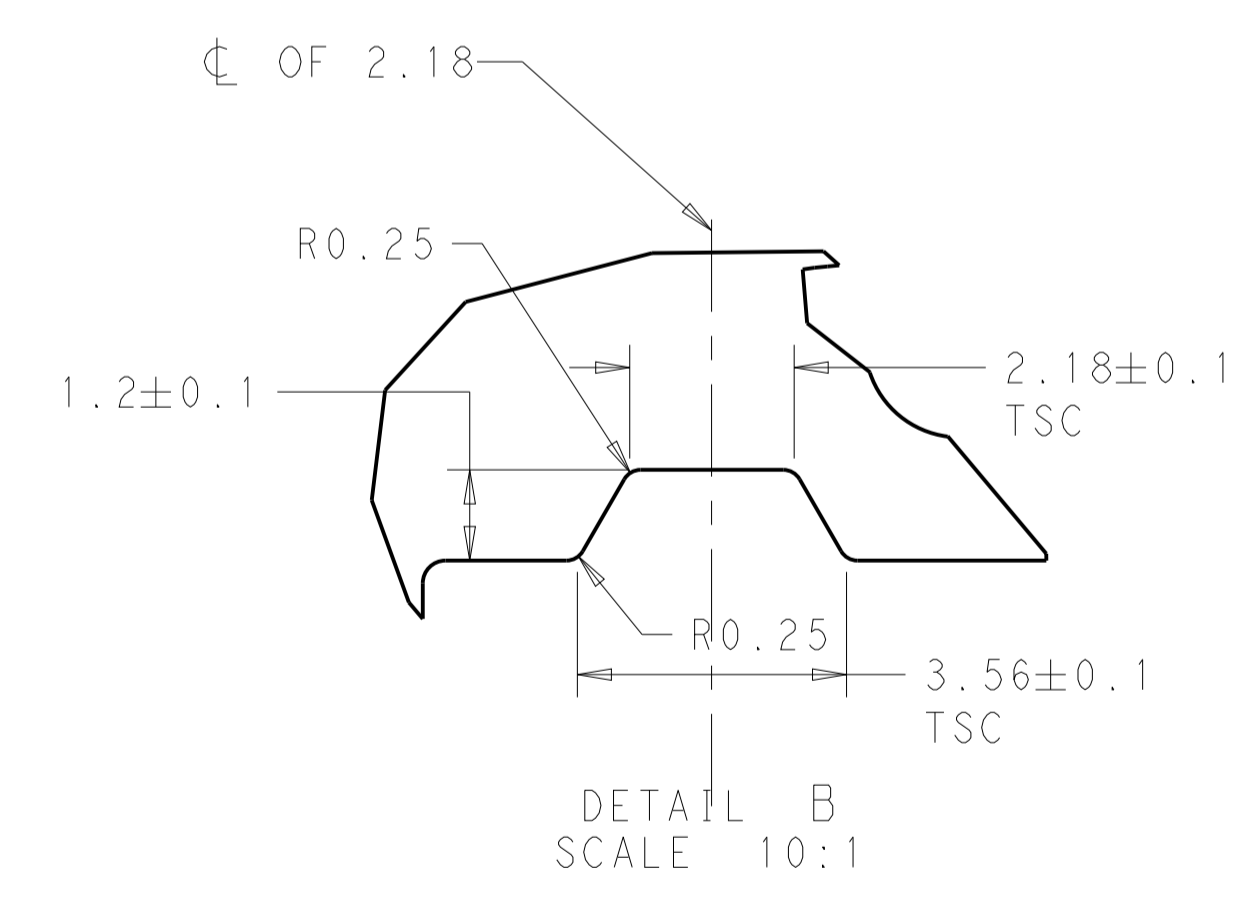
RECOMMENDED BEZEL CUT-OUT  
 SINGLE SIDED APPLICATIONS  
 SCALE 5:2



SINGLE SIDED MOUNTED ON PC BOARD  
 SHOWN THRU RECOMMENDED BEZEL  
 SECTION BEZEL-BEZEL  
 SCALE 4:1



RECOMMENDED BEZEL CUT-OUT  
 BELLY TO BELLY APPLICATIONS  
 SCALE 5:2



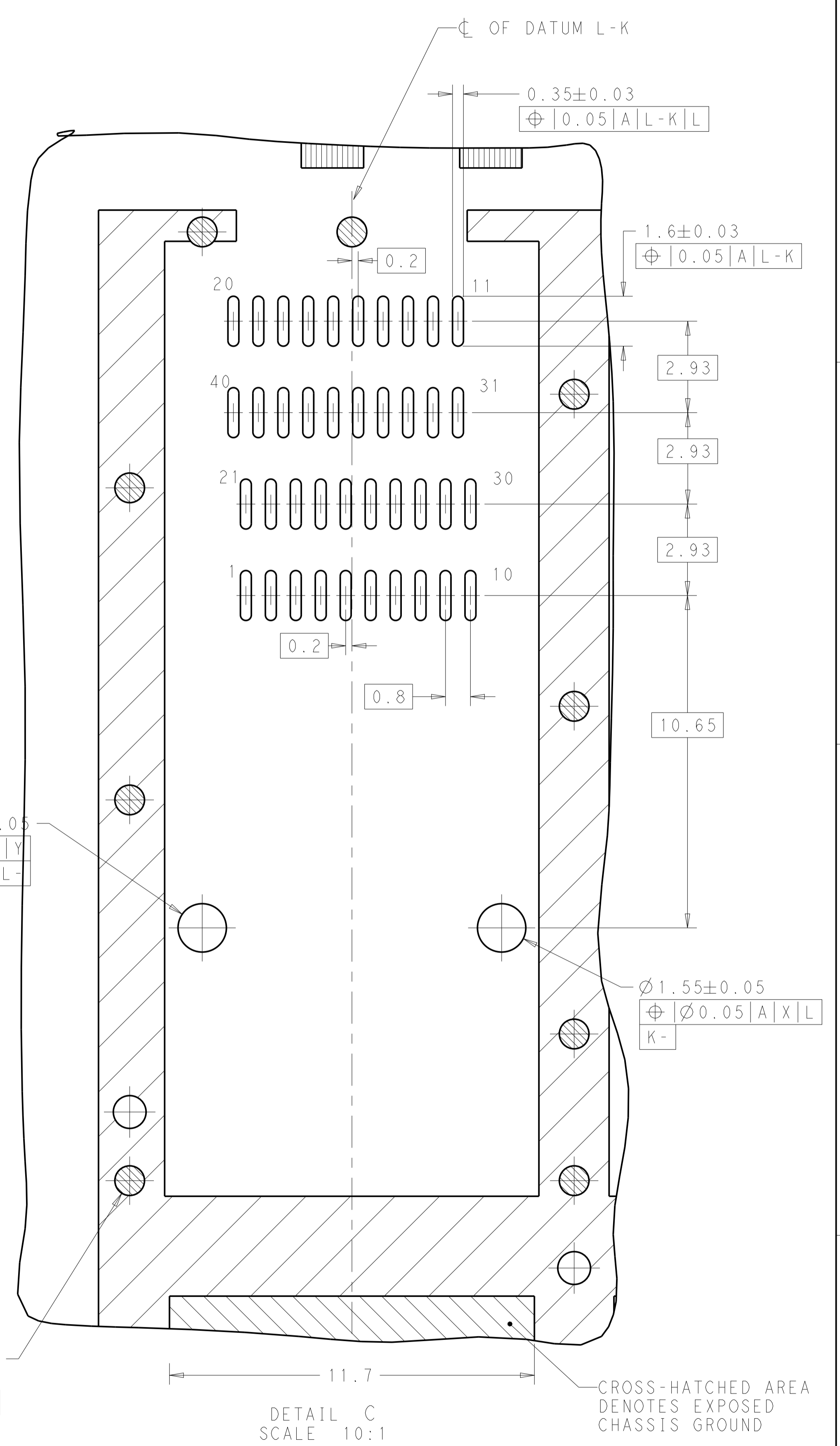
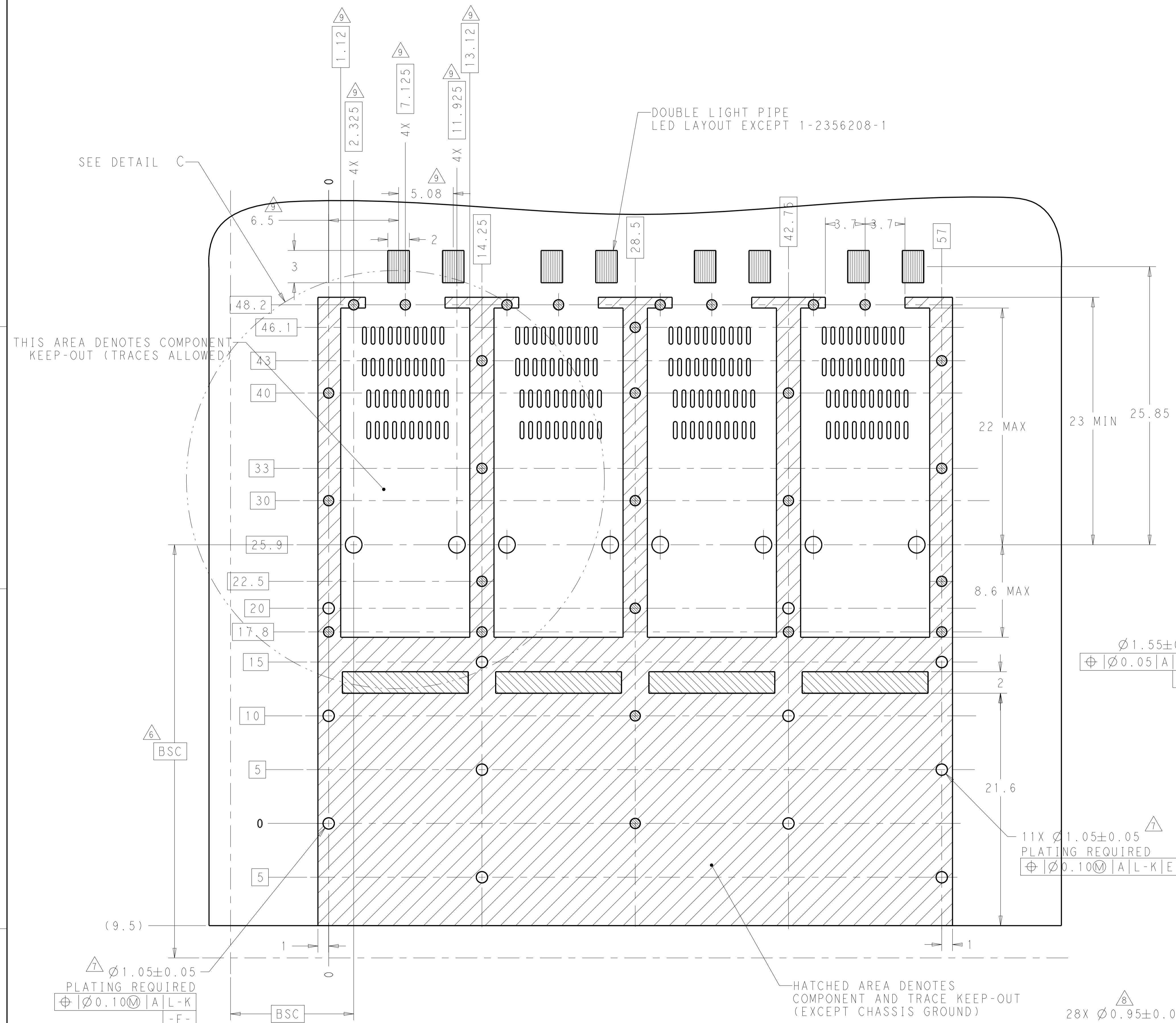
DETAIL B  
 SCALE 10:1

THIS DRAWING IS A CONTROLLED DOCUMENT.		DMN: VINDY LIU 08MAY2019	TE Connectivity
		CHK: SEAN HAN 08MAY2019	
DIMENSIONS:	TOLERANCES UNLESS OTHERWISE SPECIFIED:	APVD:	NAME:
mm	0 PLC ±0.25	PRODUCT SPEC	SFPDD 1X4 CAGE ASSEMBLY W/LP HS
	1 PLC ±0.25	APPLICATION SPEC	PRESS-FIT, EXTERNAL EMI SPRINGS
	2 PLC ±0.20	SIZE: 114-60027	RESTRICTED TO:
	3 PLC ±0.20	WEIGHT:	A1 00779 ©=2356208
	4 PLC ±	CUSTOMER DRAWING	SCALE 1:1 SHEET 4 OF 6 REV A
MATERIAL:	FINISH:		

LOC	DIST	REV	DATE	APPD
GP	00			

REVISIONS				
NO.	DESCRIPTION	DATE	OWN	APPD
1	SEE SHEET 1			



⚠ 7  
 ⌀ 1.05±0.05  
 PLATING REQUIRED  
 ⊕ | ⌀ 0.10 | M | A | L-K | E  
 -E-

⚠ 7  
 11X ⌀ 1.05±0.05  
 PLATING REQUIRED  
 ⊕ | ⌀ 0.10 | M | A | L-K | E

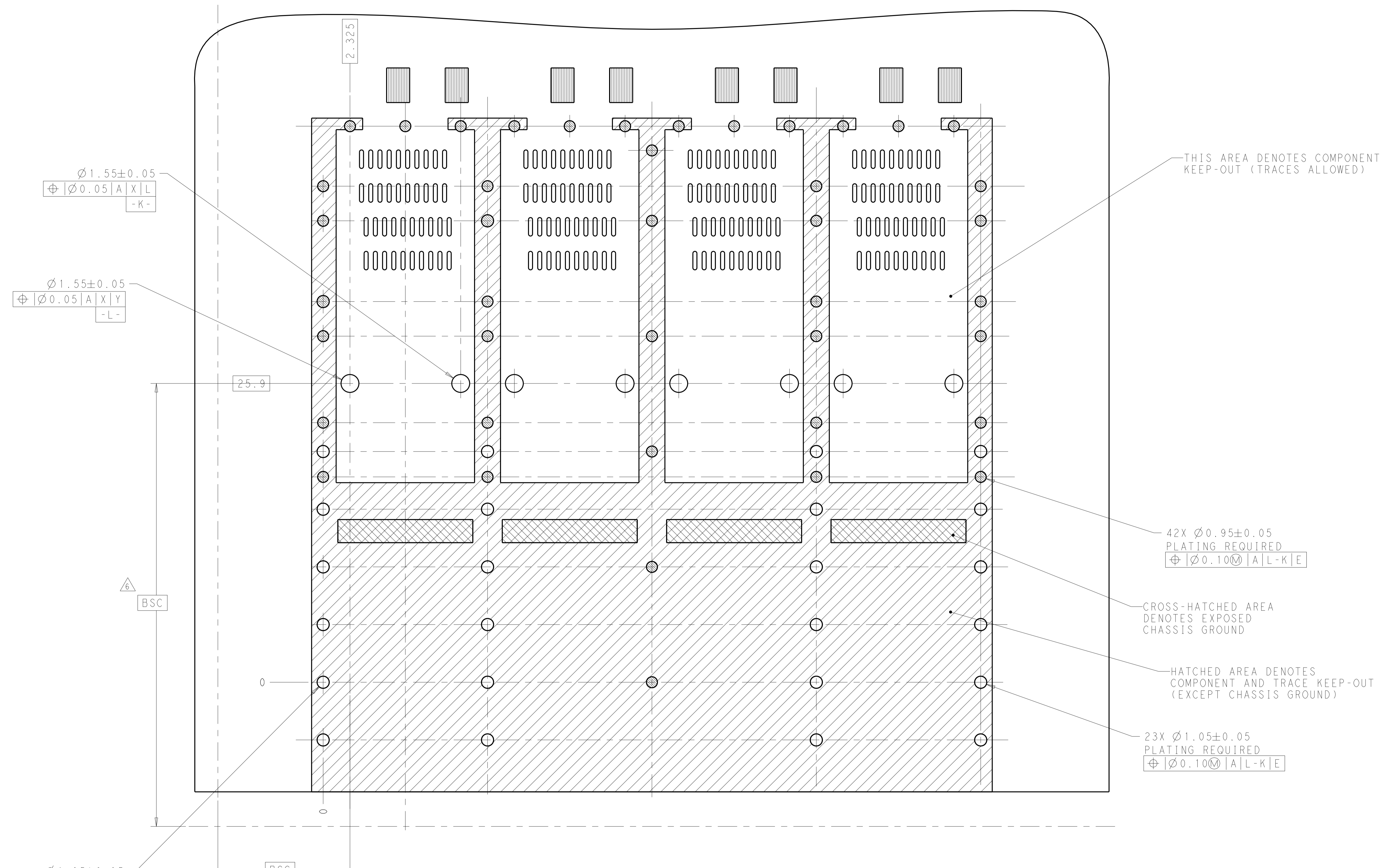
⚠ 8  
 28X ⌀ 0.95±0.05  
 PLATING REQUIRED  
 ⊕ | ⌀ 0.10 | M | A | L-K | E

THIS DRAWING IS A CONTROLLED DOCUMENT.		OWN: WINDY LIU 08MAY2019	TE Connectivity
DIMENSIONS: mm		CHK: SEAN HAN 08MAY2019	
TOLERANCES UNLESS OTHERWISE SPECIFIED:		APVD:	NAME: SFPDD 1X4 CAGE ASSEMBLY W/LP HS PRESS-FIT, EXTERNAL EMI SPRINGS
0 PLC ±0.25		PRODUCT SPEC: 108-60128	SIZE: CAGE CODE DRAWING NO: 114-60027
1 PLC ±0.25		APPLICATION SPEC:	RESTRICTED TO: A100779C=2356208
2 PLC ±0.20		WEIGHT:	SCALE: 1:1 SHEET 5 OF 6 REV A
3 PLC ±0.20		CUSTOMER DRAWING:	
4 PLC ±0.20			
ANGLES:			

LOC	DIST	REV	DATE	BY	CHK	APPV
GP	00					

REVISIONS						
REV	DATE	BY	CHK	APPV	DESCRIPTION	SCALE
-	-	-	-	-	SEE SHEET 1	-



Ø1.55±0.05  
 ⊕ | Ø0.05 | A | X | L  
 -K-

Ø1.55±0.05  
 ⊕ | Ø0.05 | A | X | Y  
 -L-

Ø1.05±0.05  
 ⊕ | Ø0.10 | A | L - K | E  
 -E-

THIS AREA DENOTES COMPONENT KEEP-OUT (TRACES ALLOWED)

42X Ø0.95±0.05  
 PLATING REQUIRED  
 ⊕ | Ø0.10 | A | L - K | E

CROSS-HATCHED AREA DENOTES EXPOSED CHASSIS GROUND

HATCHED AREA DENOTES COMPONENT AND TRACE KEEP-OUT (EXCEPT CHASSIS GROUND)

23X Ø1.05±0.05  
 PLATING REQUIRED  
 ⊕ | Ø0.10 | A | L - K | E

RECOMMENDED PCB CONFIGURATION WITH KEEP-OUTS FOR BELLY TO BELLY APPLICATIONS  
 SAME AS SINGLE SIDE APPLICATION, EXCEPT AS SHOWN  
 SCALE 6:1

THIS DRAWING IS A CONTROLLED DOCUMENT.		OWN: WINDY LIU 08MAY2019	TE Connectivity
		CHK: SEAN HAN 08MAY2019	
DIMENSIONS: mm		APVD:	NAME: SFPDD 1X4 CAGE ASSEMBLY W/LP HS PRESS-FIT, EXTERNAL EMI SPRINGS
TOLERANCES UNLESS OTHERWISE SPECIFIED:		PRODUCT SPEC: 108-60128	RESTRICTED TO:
0 PLC ±0.25		APPLICATION SPEC:	
1 PLC ±0.25		114-60027	SIZE: A1
2 PLC ±0.20		WEIGHT:	CAGE CODE: 2356208
3 PLC ±0.20		CUSTOMER DRAWING	SCALE: 1:1
4 PLC ±0.20			SHEET 6 OF 6
ANGLES: ±			REV A