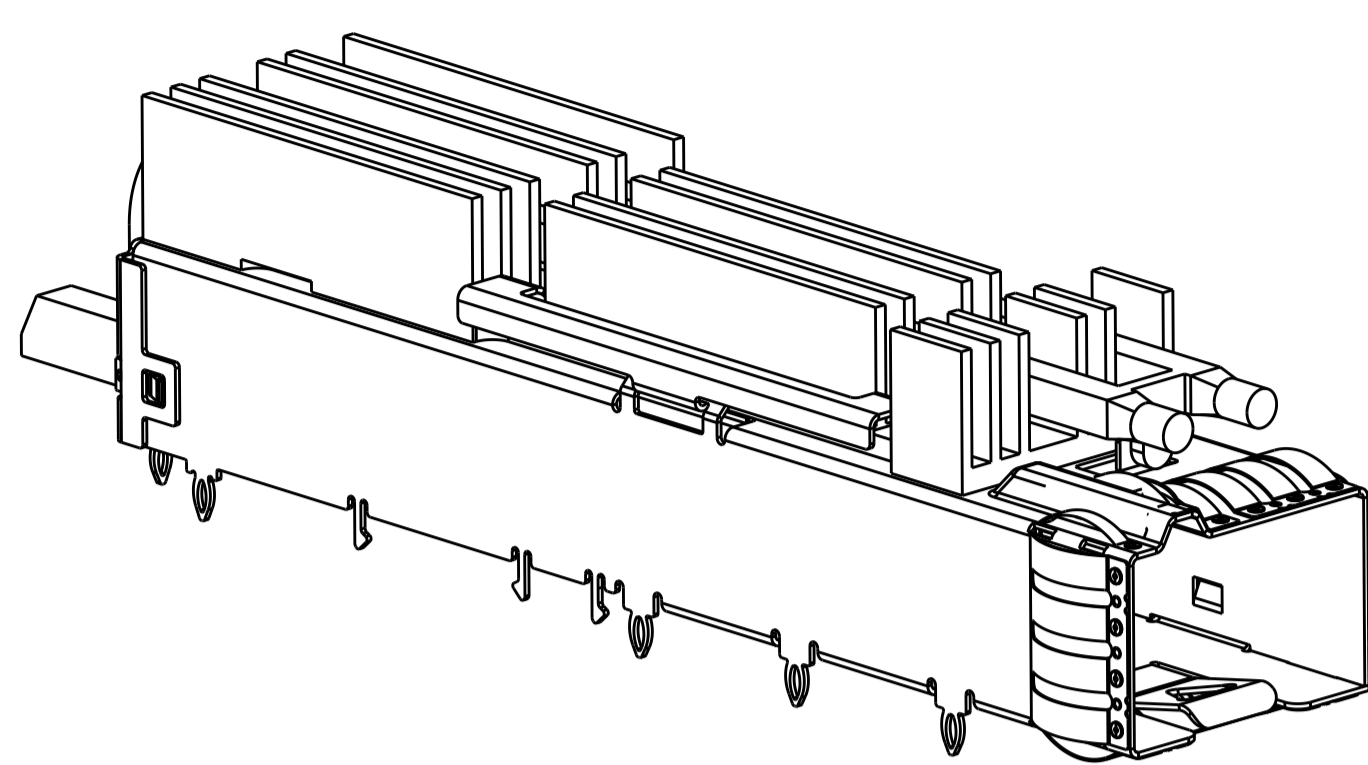
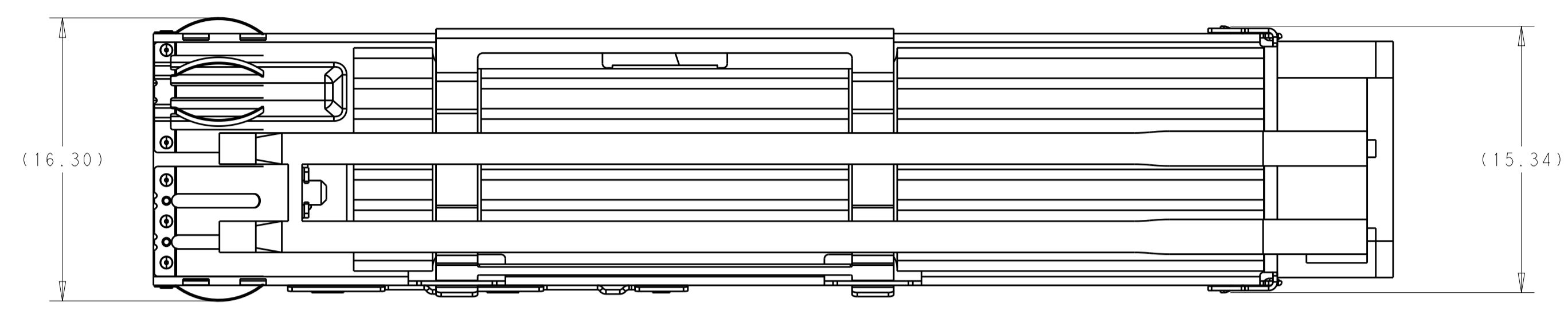


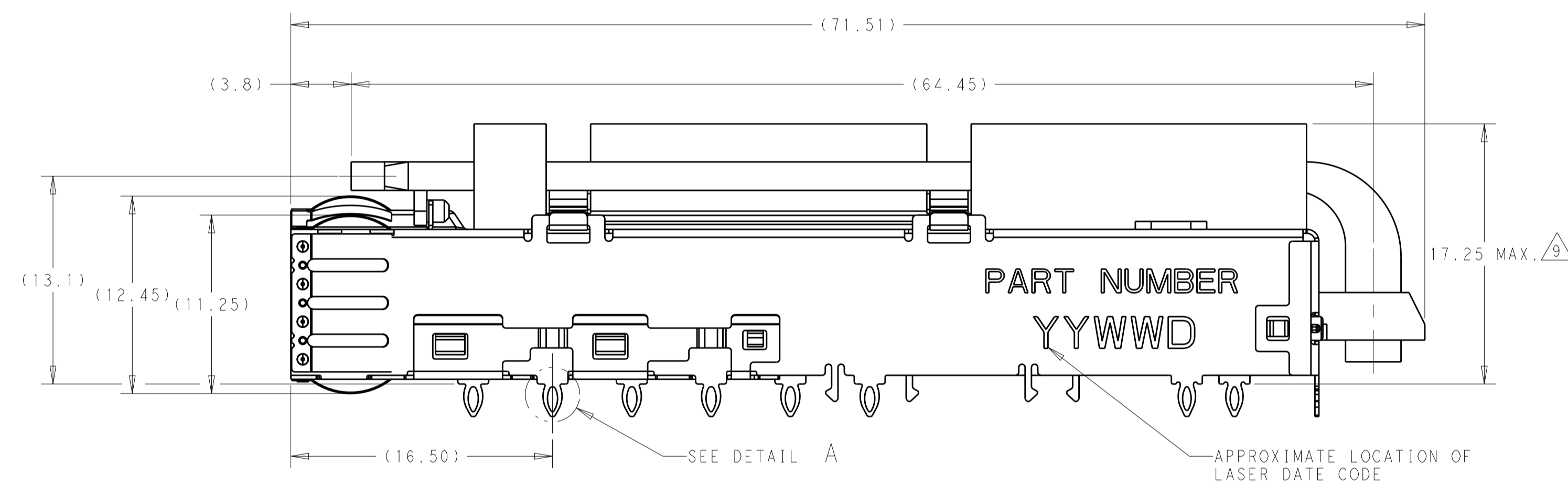
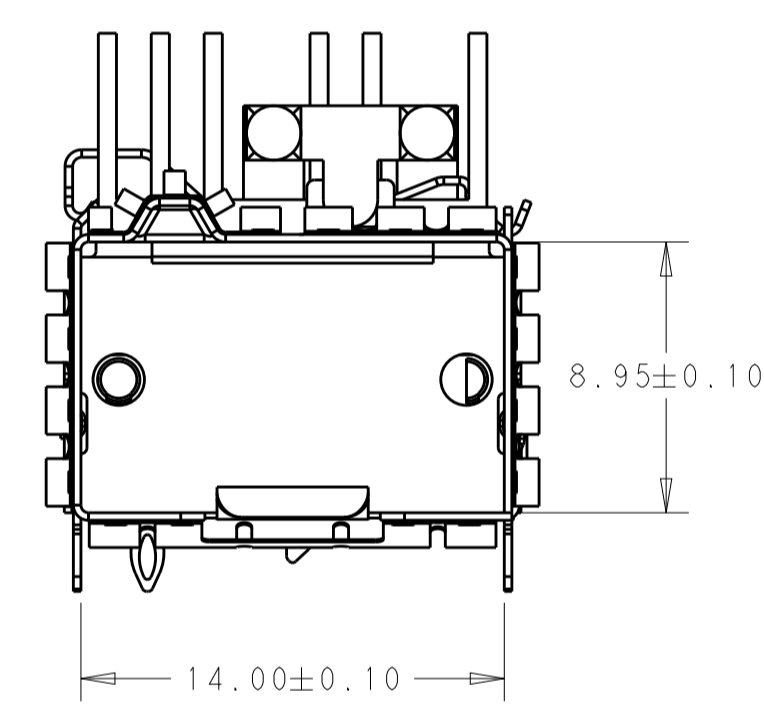
REVISIONS				
P.	LTN.	DESCRIPTION	DATE	APVD.
A		INITIAL RELEASE	20OCT2020	AJ SH
A1		REVISED PER ECR-20-015843	06NOV2020	IT SH



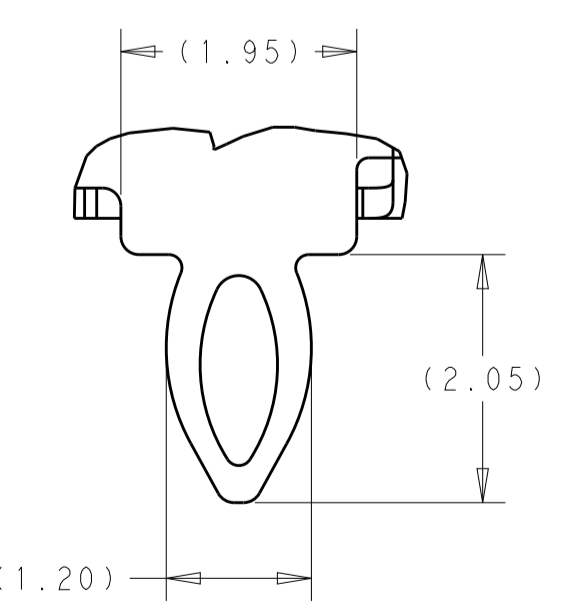
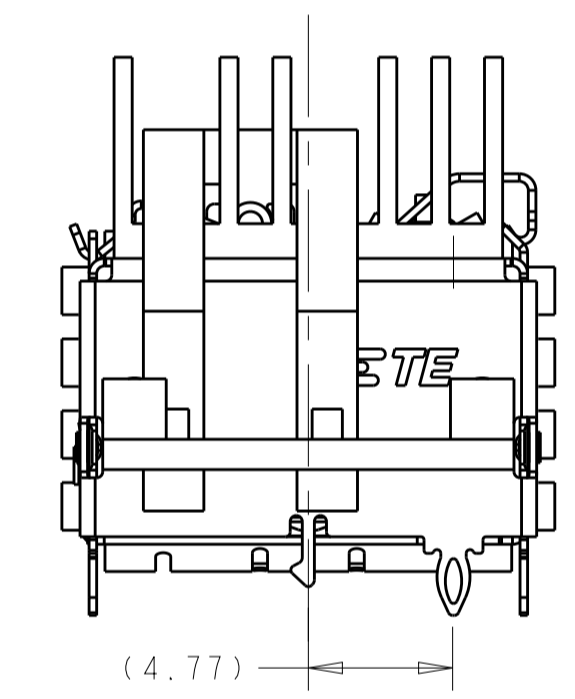
2366031-1 AS SHOWN
SCALE 3:1



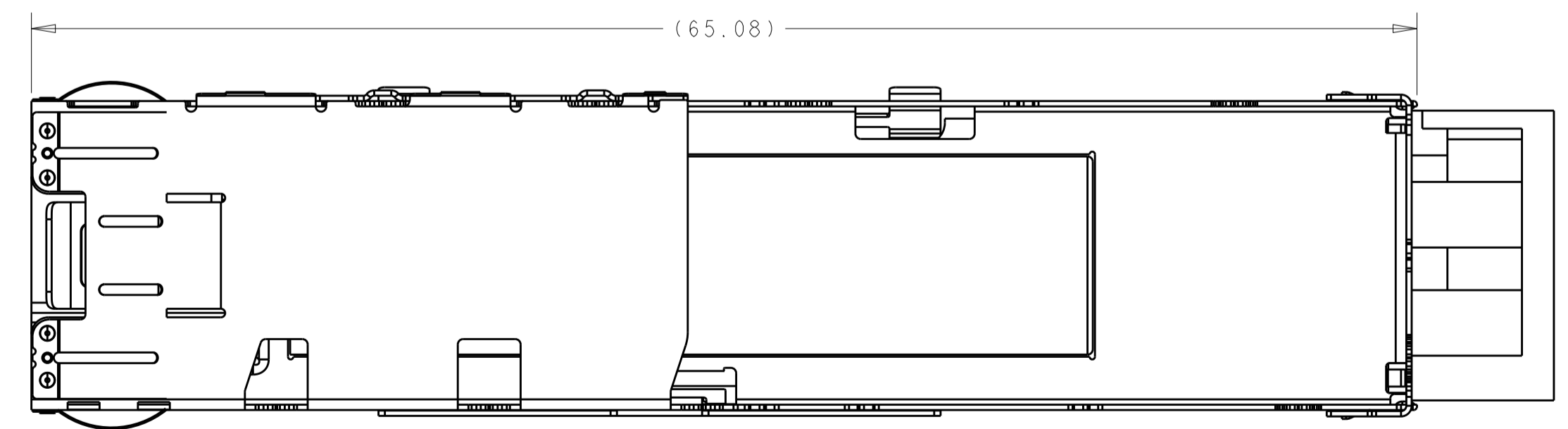
- 1 MATERIAL:
 CAGE ASSEMBLY - 0.25mm THICK STAINLESS STEEL.
 EMI SPRINGS - COPPER ALLOY.
 HEAT SINK - ALUMINUM
 CLIP - STAINLESS STEEL.
 LIGHT PIPE - CLEAR POLYCARBONATE
- 2 FINISH
 EMI SPRINGS - NICKEL PLATING, NON-PLATED EDGES PERMISSIBLE.
 HEAT SINK - SEE TABLE
3. MATES WITH SFP-DD MSA COMPLIANT TRANSCEIVERS.
- 4 DATUM AND BASIC DIMENSION ESTABLISHED BY CUSTOMER.
5. MINIMUM PC BOARD THICKNESS:
 SINGLE SIDED = 1.57 mm
 DOUBLE SIDED = 2.20 mm
- 6 REFERENCE APPLICATION SPEC. 114-60027, HOLE A, FOR RECOMMENDED DRILL HOLE DIAMETER AND PLATING THICKNESS.
- 7 REFERENCE APPLICATION SPEC. 114-60027, HOLE B, FOR RECOMMENDED DRILL HOLE DIAMETER AND PLATING THICKNESS.
8. DATUM -A- IS TOP SURFACE OF THE HOST BOARD.
- 9 MAXIMUM HEIGHT WITH MODULE INSERTED.



2366031-1 AS SHOWN
SCALE 4:1



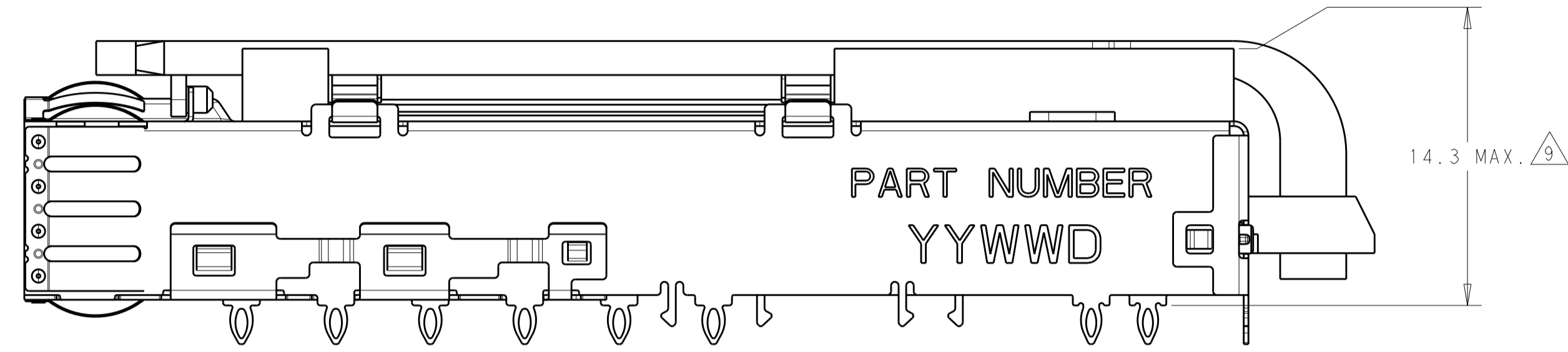
DETAIL A
SCALE 16:1



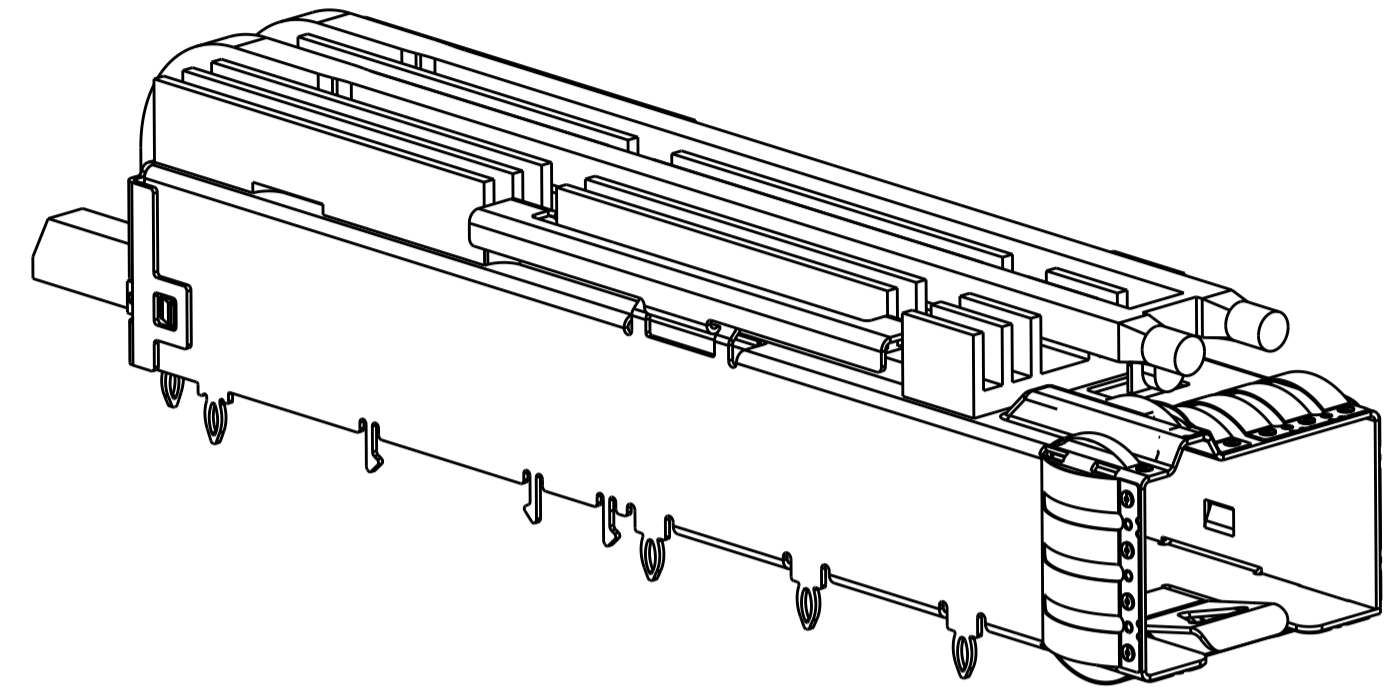
NICKEL PLATING	WITHOUT	SEE SHEET 2	2366031-3
NICKEL PLATING	WITH	SEE SHEET 2	2366031-2
BLACK ANODIZE	WITH	SEE SHEET 1	2366031-1
HSK FINISH	LIGHT PIPE	DESCRIPTION	PART NUMBER

THIS DRAWING IS A CONTROLLED DOCUMENT.		DWN: ARTHUR JIN 22NOV2019 CHK: SEAN HAN 22NOV2019 APVD:	STE TE Connectivity	
DIMENSIONS:	TOLERANCES UNLESS OTHERWISE SPECIFIED:	PRODUCT SPEC 108-60128 APPLICATION SPEC 114-60027	NAME CAGE ASSEMBLY, SFPDD 1X1 W/ GENERAL HS	
mm 0 PLC ± 1 PLC ±0.25 2 PLC ±0.20 3 PLC ±0.10 4 PLC ± ANGLES ± FINISH	RESTRICTED TO A100779C=2366031	SIZE CAGE CODE DRAWING NO WEIGHT CUSTOMER DRAWING		
		SCALE 2:1	SHEET 1 OF 5	REV A1

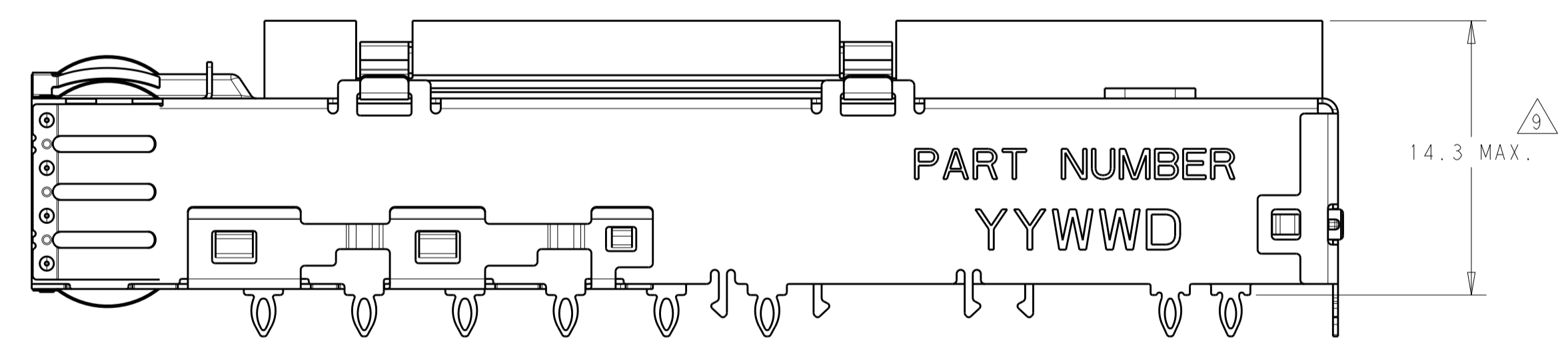
REVISIONS				
P.	LTN.	DESCRIPTION	DATE	APVD.
-	-	SEE SHEET 1	-	-



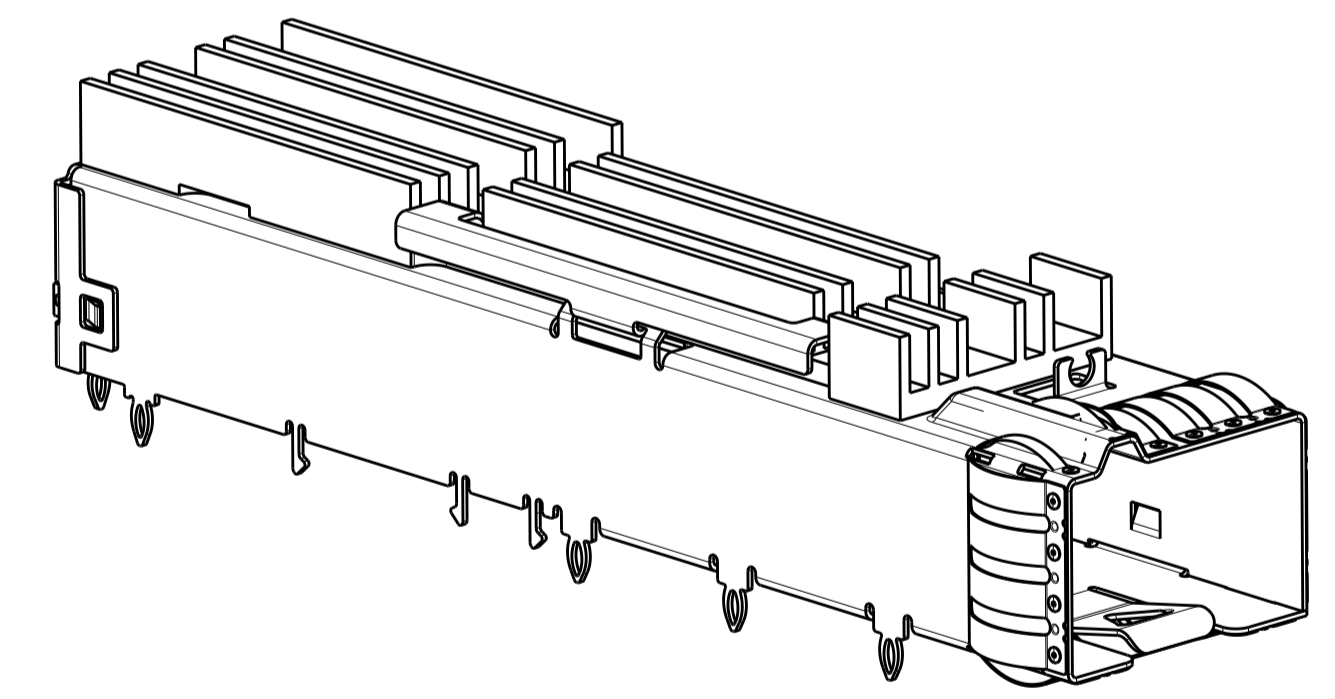
2366031-2 AS SHOWN
 SAME AS -1 EXCEPT DIFFERENT HEAT SINK
 SCALE 4:1



2366031-2 3D VIEW
 SCALE 3:1



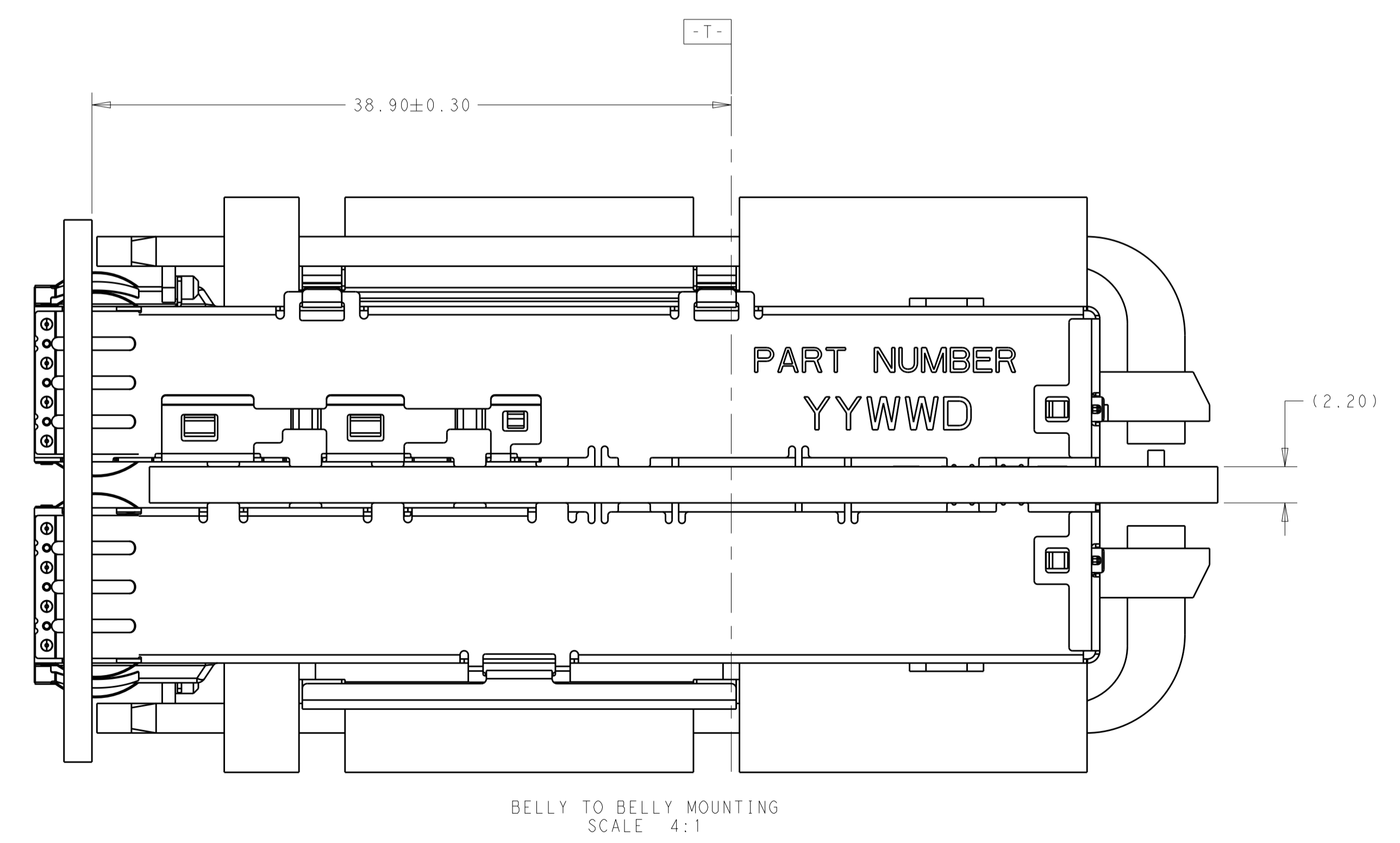
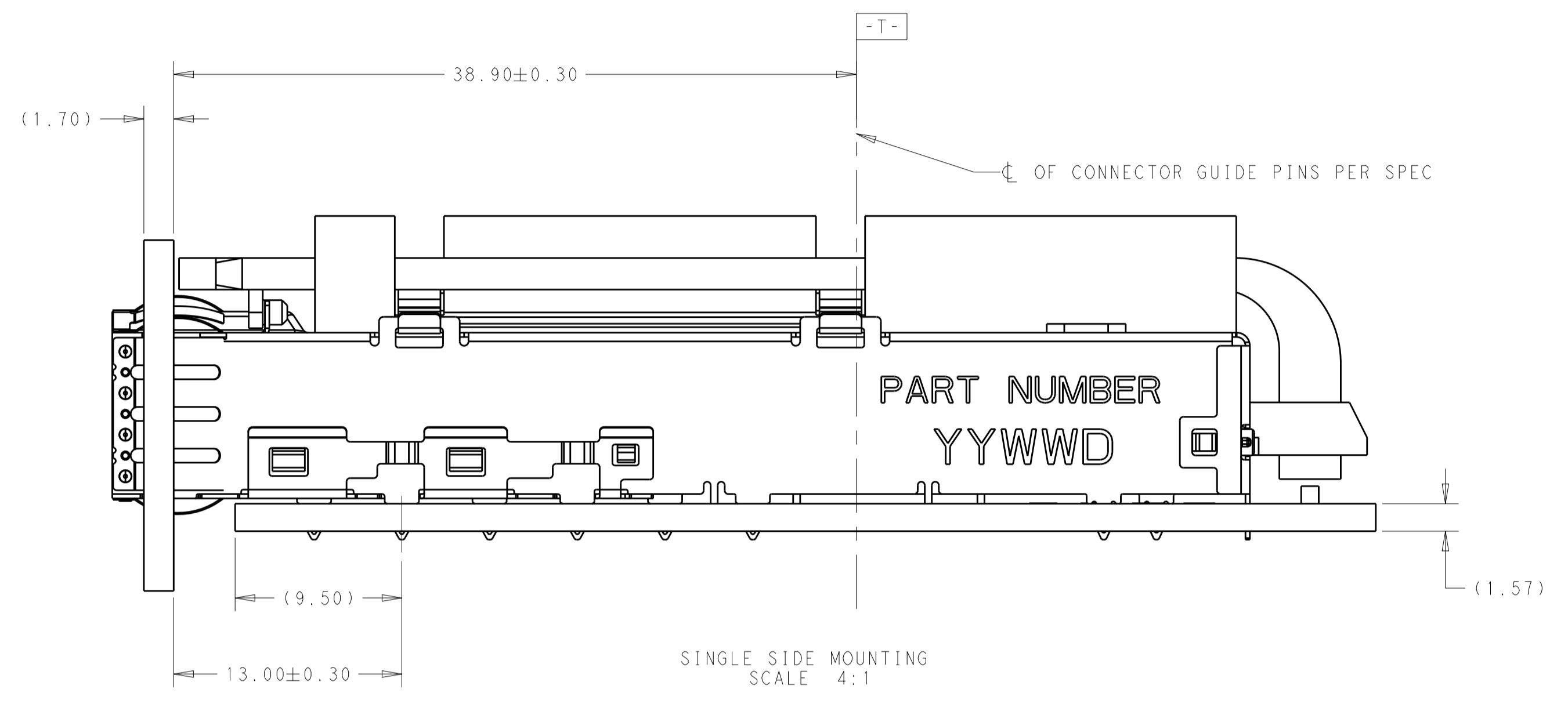
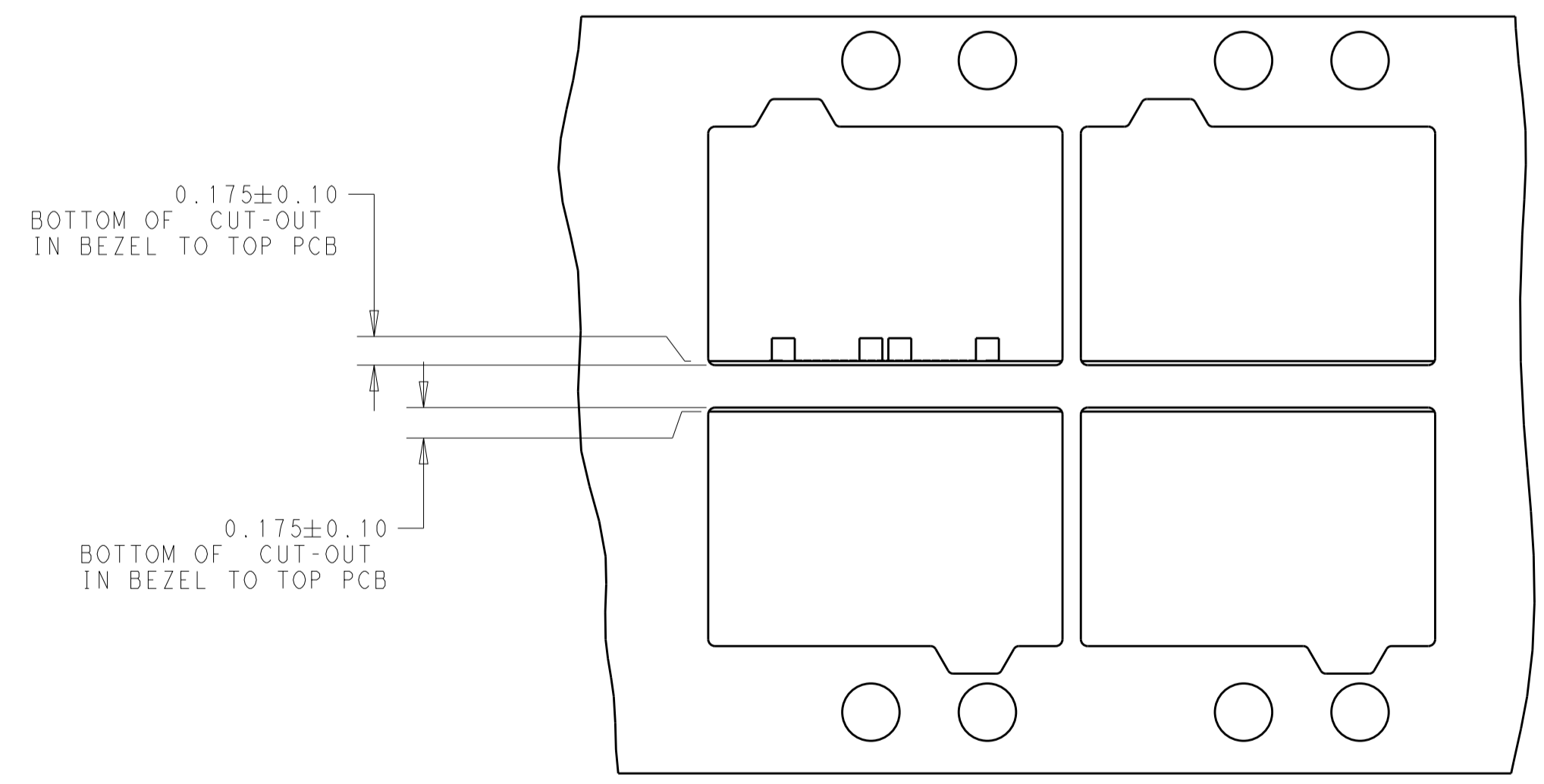
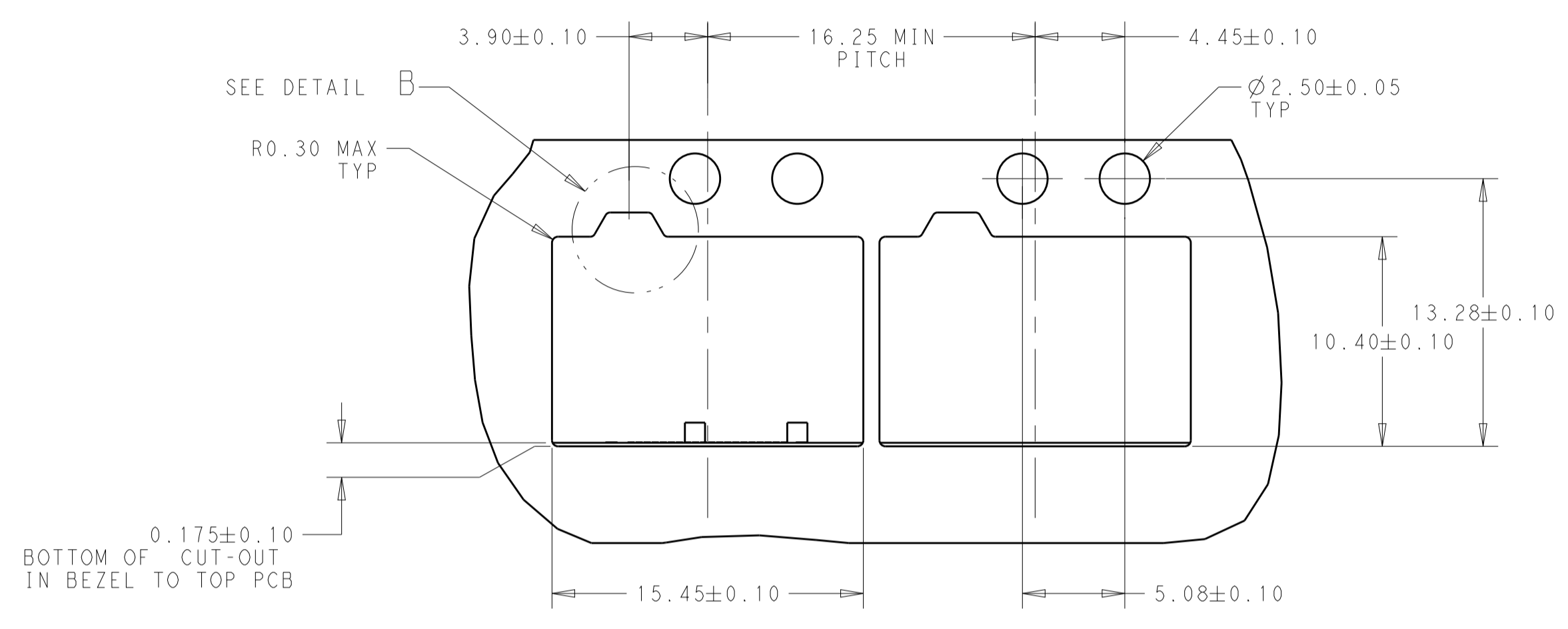
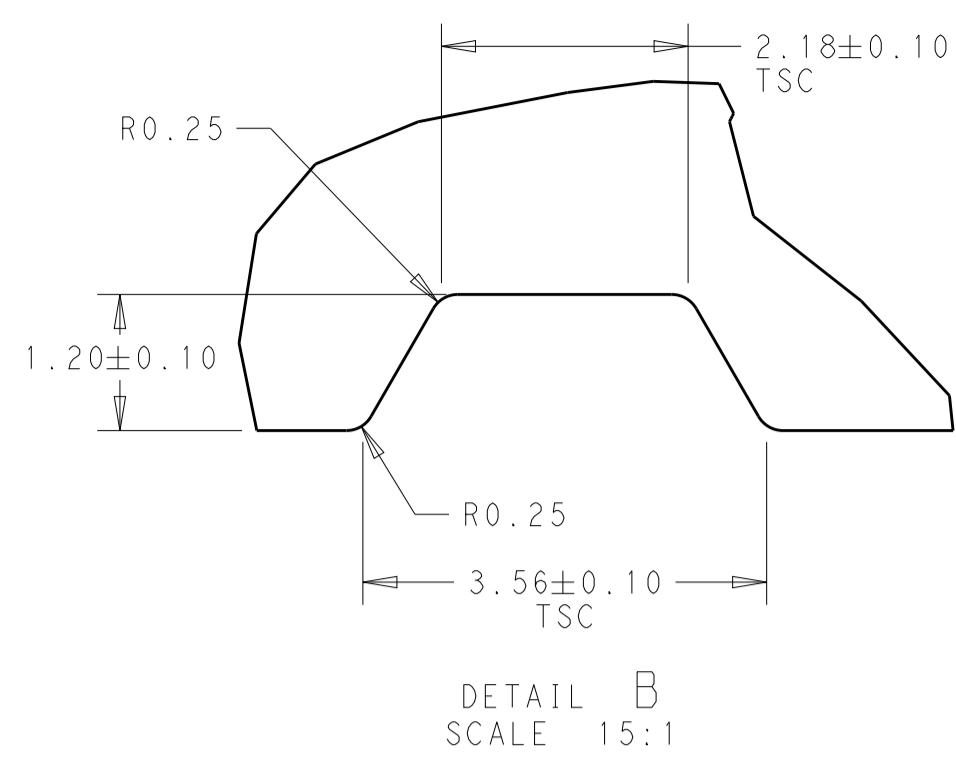
2366031-3 AS SHOWN
 SAME AS -2 EXCEPT WITHOUT LIGHT PIPE
 SCALE 4:1



2366031-3 3D VIEW
 SCALE 3:1

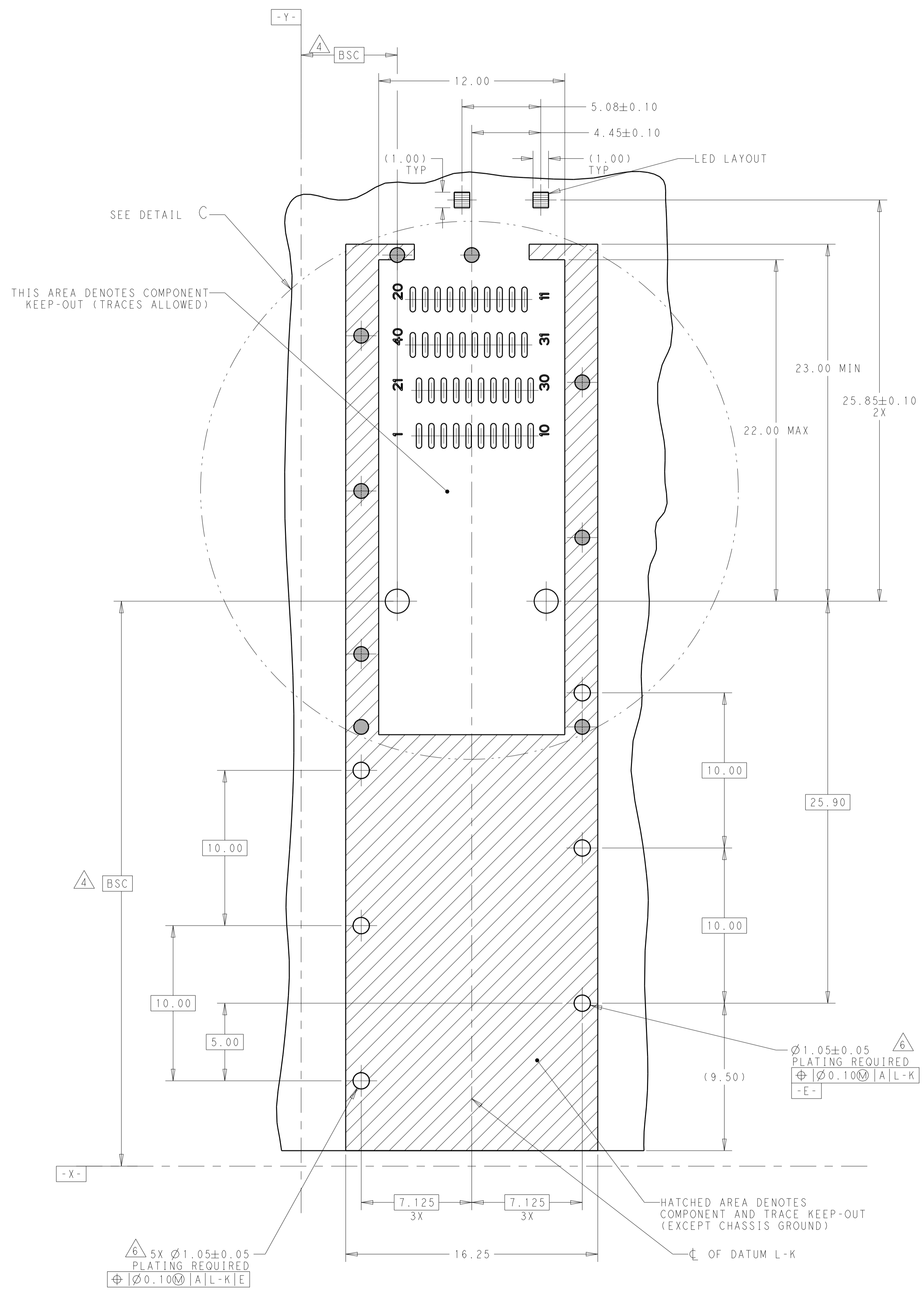
THIS DRAWING IS A CONTROLLED DOCUMENT.		DWN: ARTHUR JIH 22NOV2019 CHK: SEAN HAN 22NOV2019 APVD: -	TE Connectivity	
DIMENSIONS: mm 	TOLERANCES UNLESS OTHERWISE SPECIFIED: 0 PLC ±. 1 PLC ±0.25 2 PLC ±0.20 3 PLC ±0.10 4 PLC ±. ANGLES ±. FINISH -	PRODUCT SPEC: 108-60128 APPLICATION SPEC: 114-60027 WEIGHT: - CUSTOMER DRAWING		NAME: CAGE ASSEMBLY, SFPDD 1X1 W/ GENERAL HS SIZE: A1 CAGE CODE: 00779 DRAWING NO: C=2366031 RESTRICTED TO: -
		SCALE: 2:1	SHEET: 2 OF 5	REV: A1

REVISIONS				
P.	LTN	DESCRIPTION	DATE	APVD
		SEE SHEET 1		

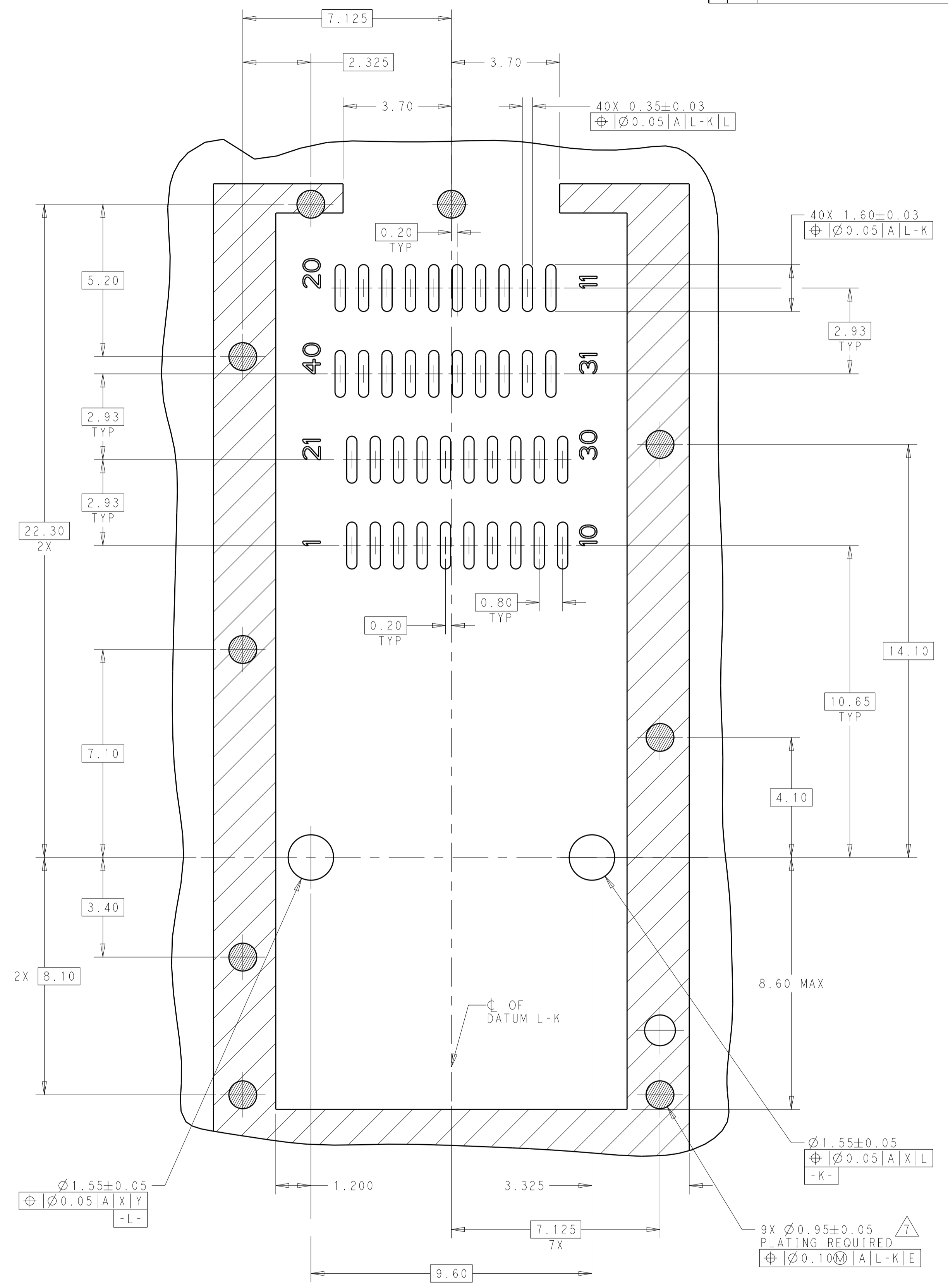


THIS DRAWING IS A CONTROLLED DOCUMENT.		DWN: ARTHUR JLN 22NOV2019	TE Connectivity
DIMENSIONS: mm		CHK: SEAN HAN 22NOV2019	
TOLERANCES UNLESS OTHERWISE SPECIFIED:		APVD: -	NAME: CAGE ASSEMBLY, SFPDD 1X1 W/ GENERAL HS
0 PLC ±	1 PLC ±0.25	PRODUCT SPEC: 108-60128	SIZE: A1
2 PLC ±0.20	3 PLC ±0.10	APPLICATION SPEC: 114-60027	CAGE CODE: C=2366031
4 PLC ±	ANGLES ±	WEIGHT: -	RESTRICTED TO: -
MATERIAL: -	FINISH: -	CUSTOMER DRAWING	SCALE: 2:1 SHEET 3 OF 5 REV: A1

REVISIONS				
P.	LTN	DESCRIPTION	DATE	APVD
		SEE SHEET 1		



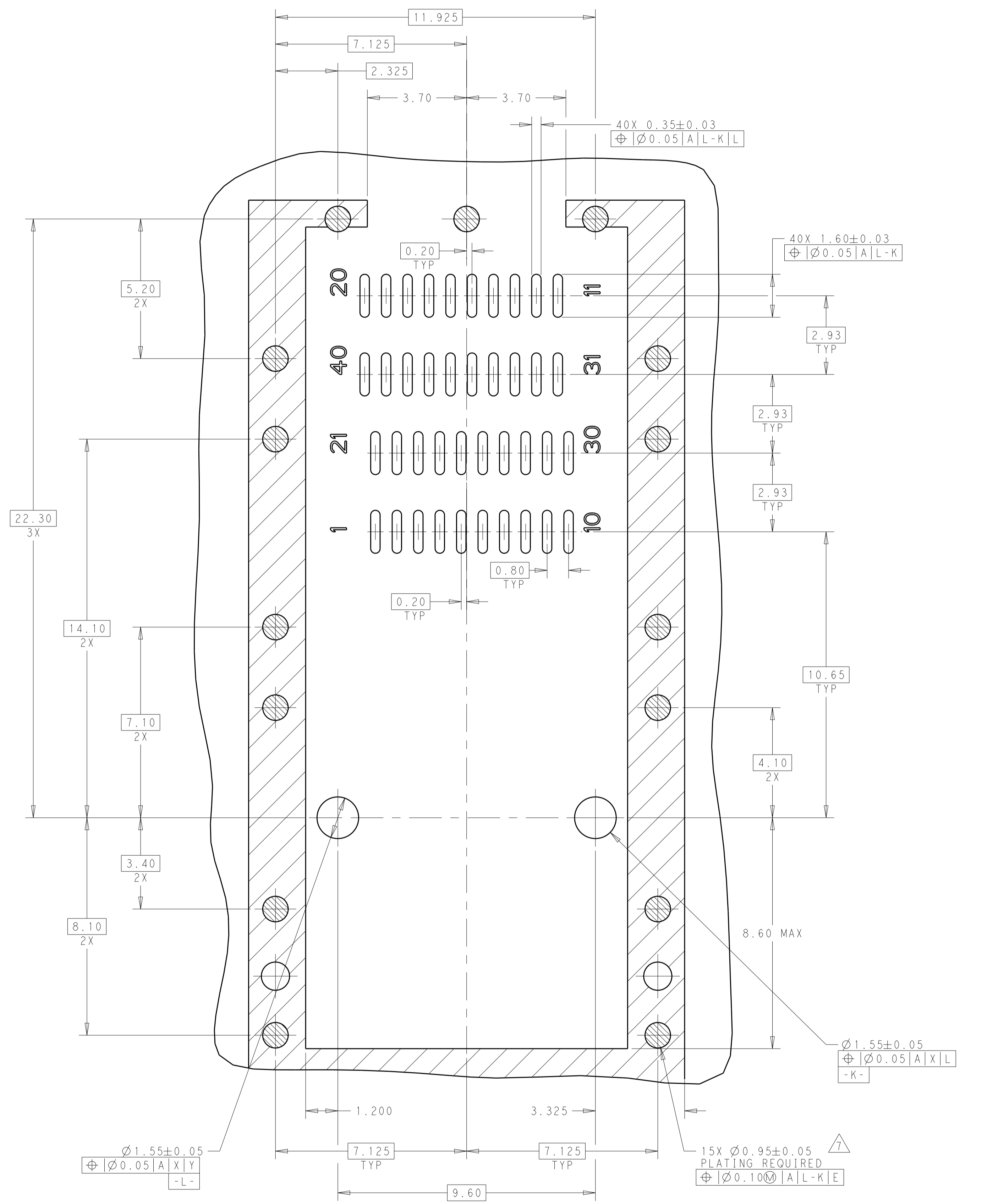
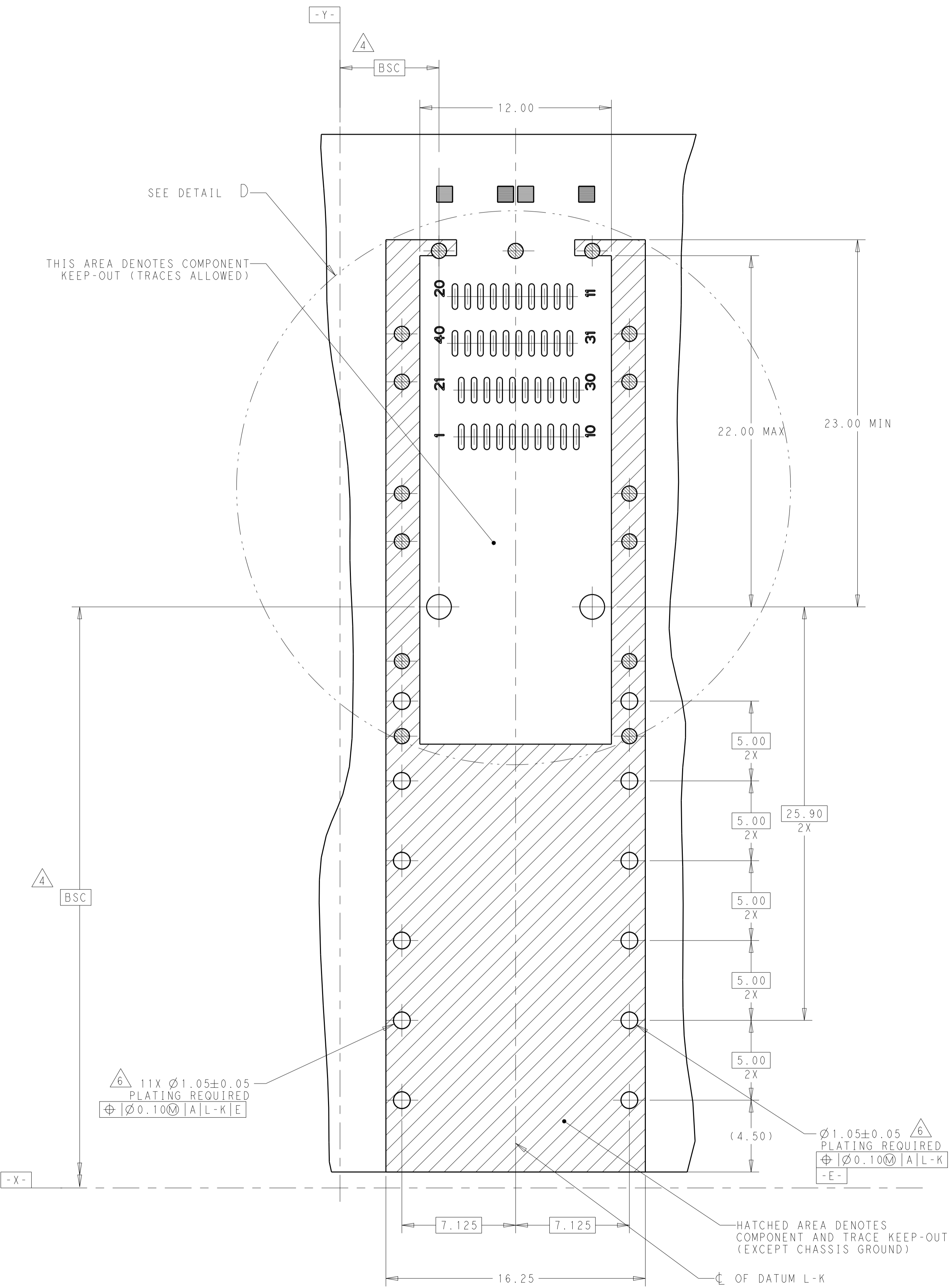
RECOMMENDED PCB LAYOUT
SINGLE TYPE
SCALE 6:1



DETAIL C
SCALE 10:1

THIS DRAWING IS A CONTROLLED DOCUMENT.		DWN: ARTHUR JIN 22NOV2019	TE Connectivity
		CHK: SEAN HAN 22NOV2019	
DIMENSIONS:	TOLERANCES UNLESS OTHERWISE SPECIFIED:	PRODUCT SPEC	NAME
mm	0 PLC ±0.25	108-60128	CAGE ASSEMBLY, SFPDD 1X1
	2 PLC ±0.20	APPLICATION SPEC	W/ GENERAL HS
	3 PLC ±0.10	114-60027	SIZE CAGE CODE DRAWING NO
	4 PLC ±0.05	WEIGHT	A100779C=2366031
MATERIAL	FINISH	CUSTOMER DRAWING	RESTRICTED TO
		SCALE 2:1	SHEET 4 OF 5

REVISIONS				
P.	LTN	DESCRIPTION	DATE	APVD
		SEE SHEET 1		



DETAIL D
SCALE 10:1

THIS DRAWING IS A CONTROLLED DOCUMENT.		DWN: ARTHUR JLN 22NOV2019		 TE Connectivity
DIMENSIONS:		CHK: SEAN HAN 22NOV2019		
mm	0 PLC ±	APVD: -		NAME: CAGE ASSEMBLY, SFPD 1X1 W/ GENERAL HS
	1 PLC ±0.25	PRODUCT SPEC: 108-60128		
	2 PLC ±0.20	APPLICATION SPEC: 114-60027		SIZE: CAGE CODE DRAWING NO: A100779
	3 PLC ±0.10	WEIGHT: -		RESTRICTED TO: -
	4 PLC ±	CUSTOMER DRAWING		SCALE: 2:1 SHEET 5 OF 5 REV: A1

RECOMMENDED PCB LAYOUT
 BELLY TO BELLY
 SCALE 6:1