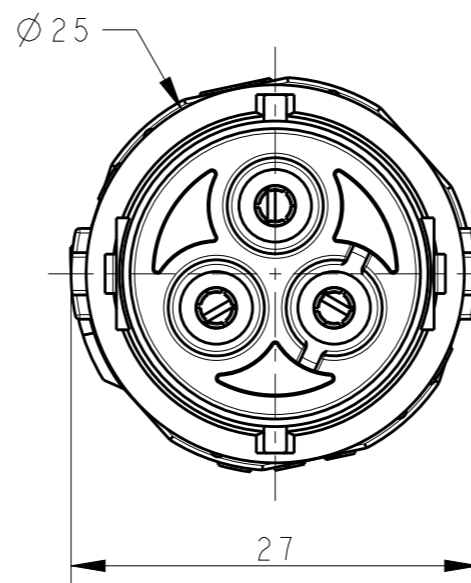
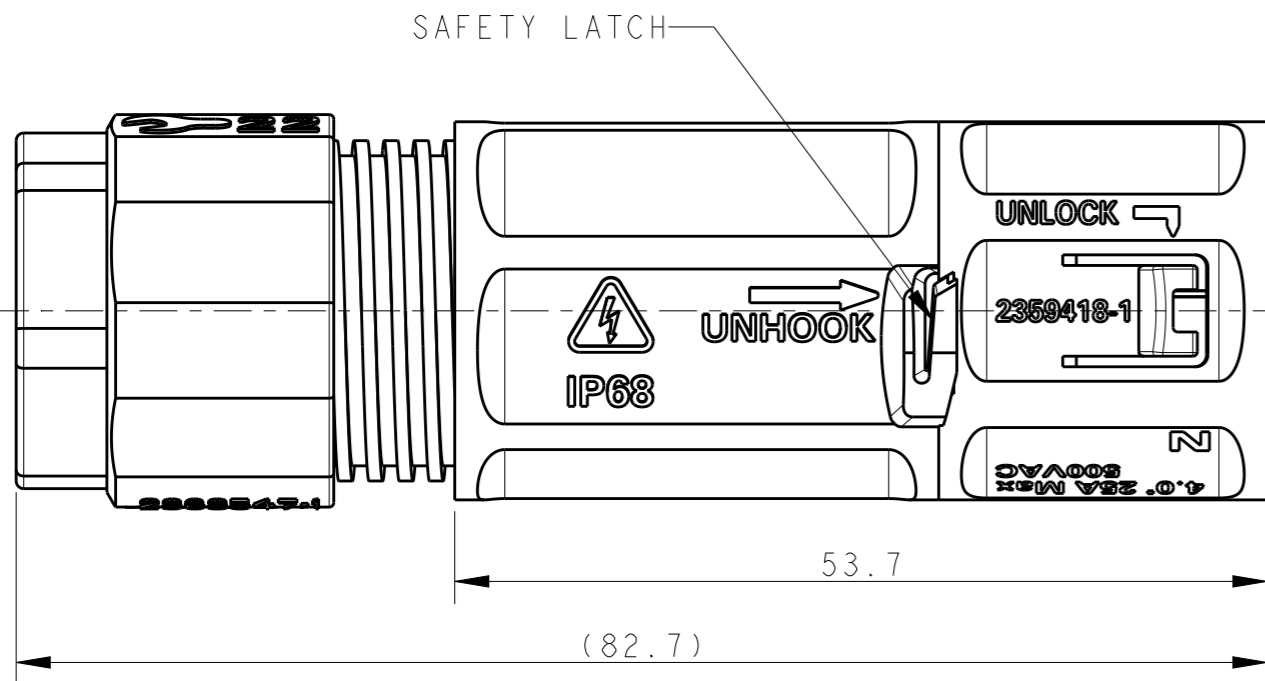


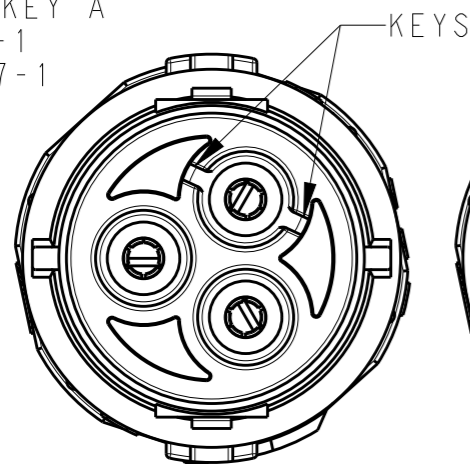
P	LTR	DESCRIPTION	DATE	DWN	APVD
1		INITIAL ISSUE	28AUG2020	SM	MZ
2		INFORMATION ADDED TO SHEET 2	03SEP2020	SM	MZ
3		DRAWING FORMAT UPDATES	24NOV2020	SM	-
A		PRODUCT UNDER TESTING	24NOV2020	SM	MZ



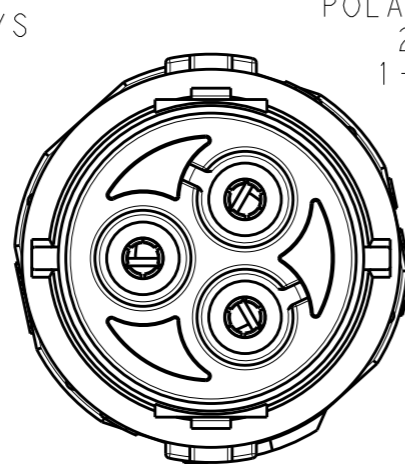
NOTES:

- MATERIALS:
PLASTICS: PBT+PC ALLOY, UL-V0, UV-F1
CONTACTS: COPPER ALLOY, TIN PLATED
- OPERATING RATINGS :
VOLTAGE (max): 600Vac Max
CURRENT (max): 25A ON 4.0mm² & 20A ON 12AWG
TEMPERATURE : -40°C TO 85°C
IP RATING : IP67 & IP68
- FOR ASSEMBLY INSTRUCTIONS, REFER APPLICATION SPECIFICATION 114-133123
- PACKAGING: MOQ 200 pcs IN PE BAG

POLARIZING KEY A
2379237-1
1-2379237-1

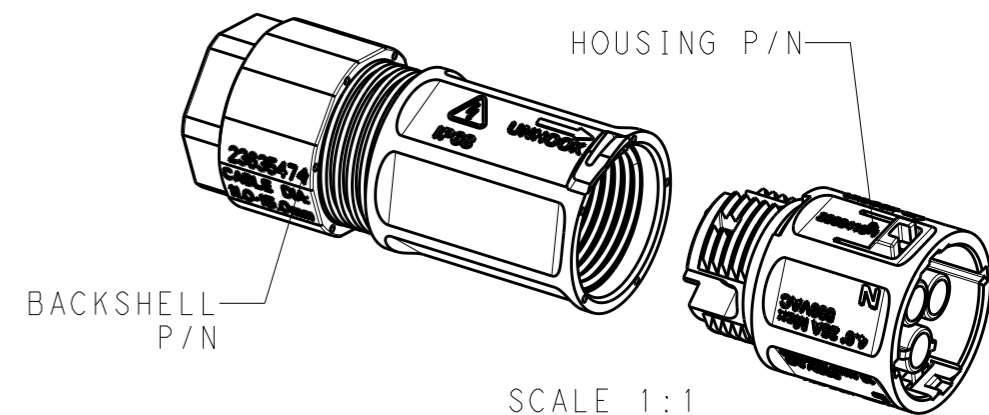


POLARIZING KEY B
2379237-2
1-2379237-2

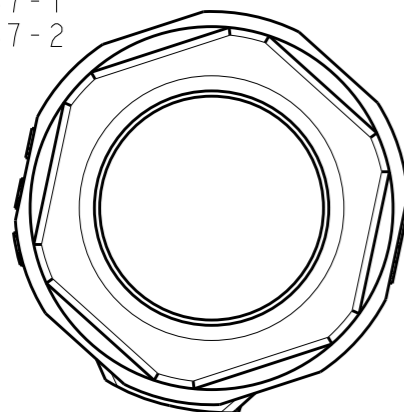


PRODUCT UNDER TESTING

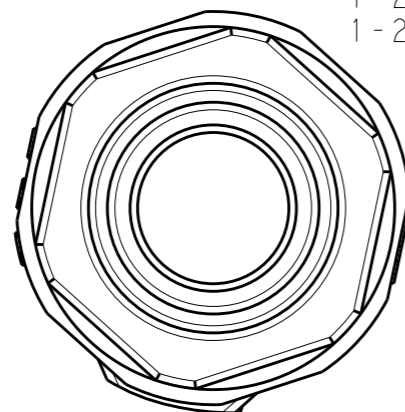
CONTACT PRODUCT ENGINEERING BEFORE USING THIS PRINT



BACKSHELL FOR
2379237-1
2379237-2



BACKSHELL FOR
1-2379237-1
1-2379237-2

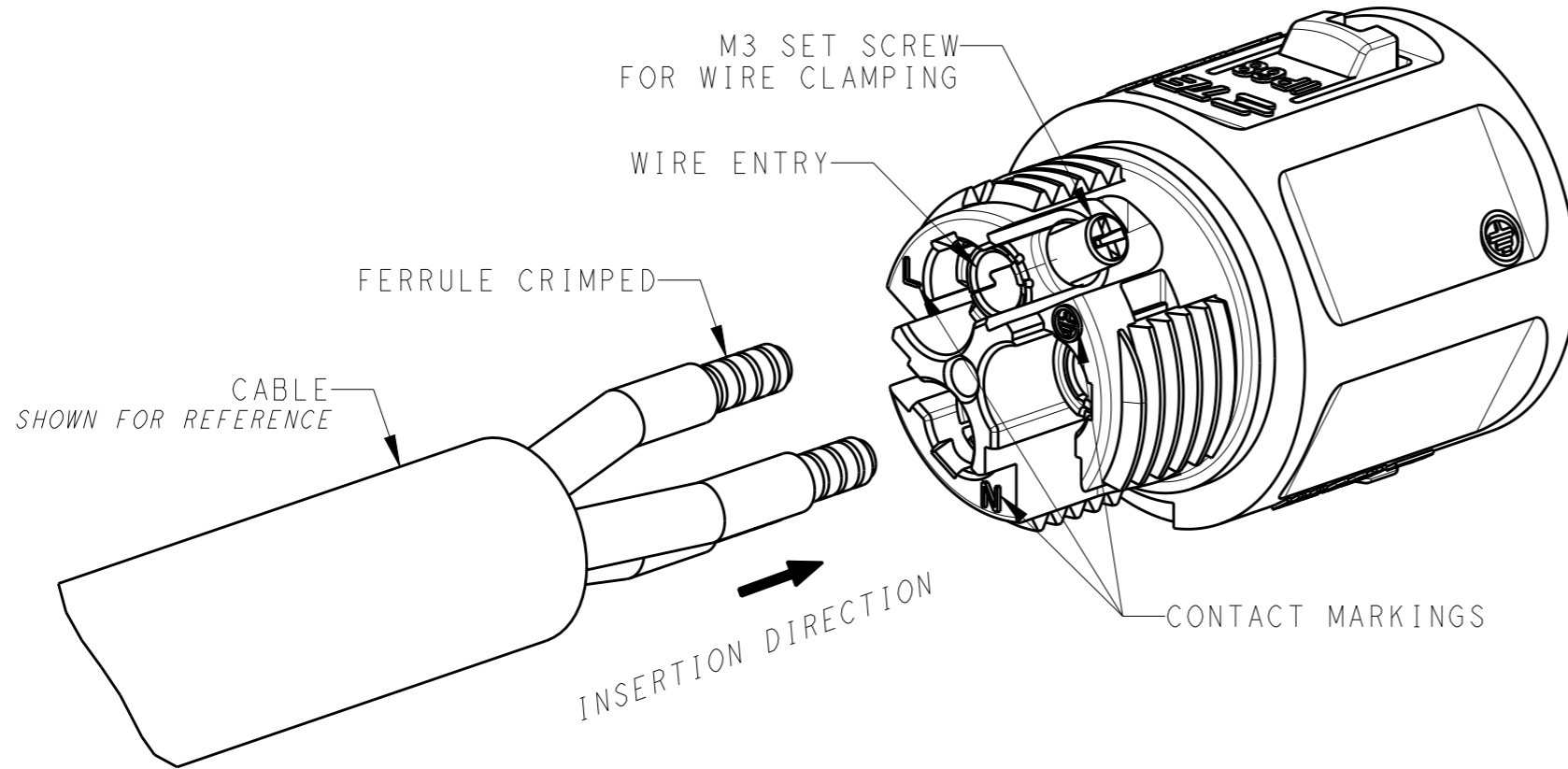


BACKSHELL P/N	HOUSING ASSY P/N	POLARIZING KEY	CABLE RANGE	DESCRIPTION	PART NUMBER
2363547-2	2359418-2	KEY B	Ø7 - Ø10	IN-LINE SOCKET CONNECTOR	1-2379237-2
	2359418-1	KEY A			1-2379237-1
2363547-1	2359418-2	KEY B	Ø10.5 - Ø15	IN-LINE SOCKET CONNECTOR	2379237-2
	2359418-1	KEY A			2379237-1

THIS DRAWING IS A CONTROLLED DOCUMENT.

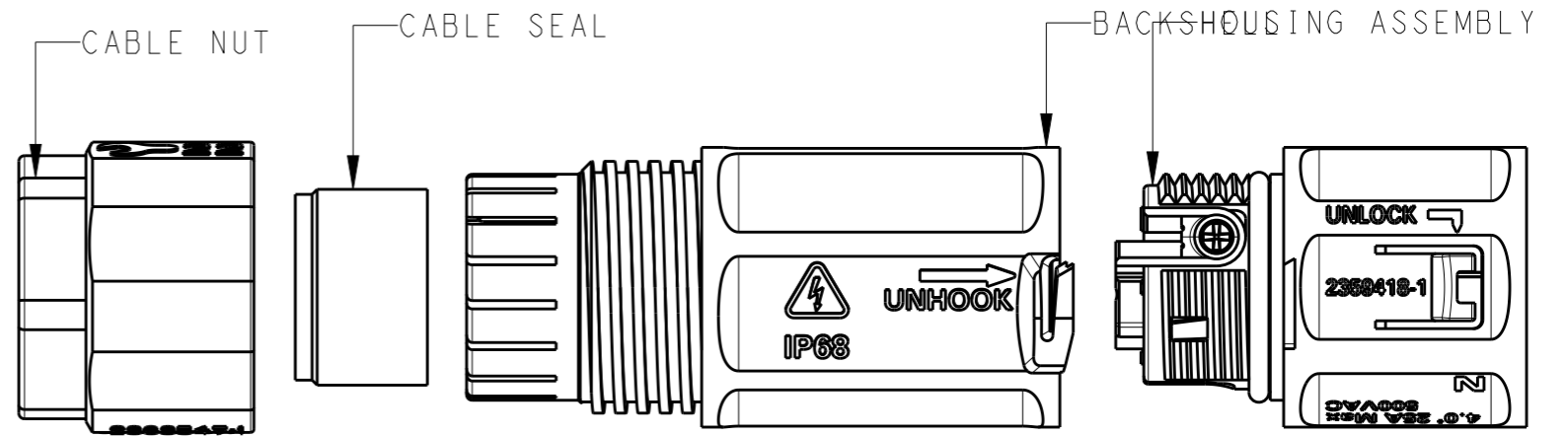
DIMENSIONS: mm	TOLERANCES UNLESS OTHERWISE SPECIFIED: 0 PLC ±0.2 1 PLC ±0.2 2 PLC ±0.1 3 PLC ± 4 PLC ± ANGLES ±°	MATERIAL -	FINISH -	DWN SUBHASH. M 28AUG2020 CHK M. ZUCCA 28AUG2020 APVD PETER OTT 24NOV2020 PRODUCT SPEC 108-133123 APPLICATION SPEC 114-133123 WEIGHT -			NAME NECTOR T, 3Pos, SOCKET CONNECTOR SCREW TYPE	RESTRICTED TO -	
CUSTOMER DRAWING				SIZE A3	CAGE CODE 00779	DRAWING NO C-2379237	SCALE 2:1	SHEET 1 OF 2	REV A

SCREW TERMINATION
REFER 114-133123 FOR DETAILED INSTRUCTION
NOT TO SCALE



REVISIONS					
P	LTR	DESCRIPTION	DATE	DWN	APVD
-		SEE SHEET 1	-	-	-

EXPLODED COMPONENTS
NOT TO SCALE



THIS DRAWING IS A CONTROLLED DOCUMENT.		DWN SUBHASH. M 28AUG2020	TE Connectivity	
		CHK M. ZUCCA 28AUG2020		
DIMENSIONS: mm		APVD PETER OTT 24NOV2020	NAME NECTOR T, 3Pos, SOCKET CONNECTOR SCREW TYPE	
TOLERANCES UNLESS OTHERWISE SPECIFIED:		PRODUCT SPEC 108-133123	RESTRICTED TO	
0 PLC ±0.2		APPLICATION SPEC 114-133123	SIZE A3	CAGE CODE 00779
1 PLC ±0.2		WEIGHT -	DRAWING NO C-2379237	SCALE 2:1
2 PLC ±0.1		CUSTOMER DRAWING	SHEET 2	OF 2
3 PLC ±-			REV A	
4 PLC ±-				
ANGLES ±1°				
MATERIAL -	FINISH -			