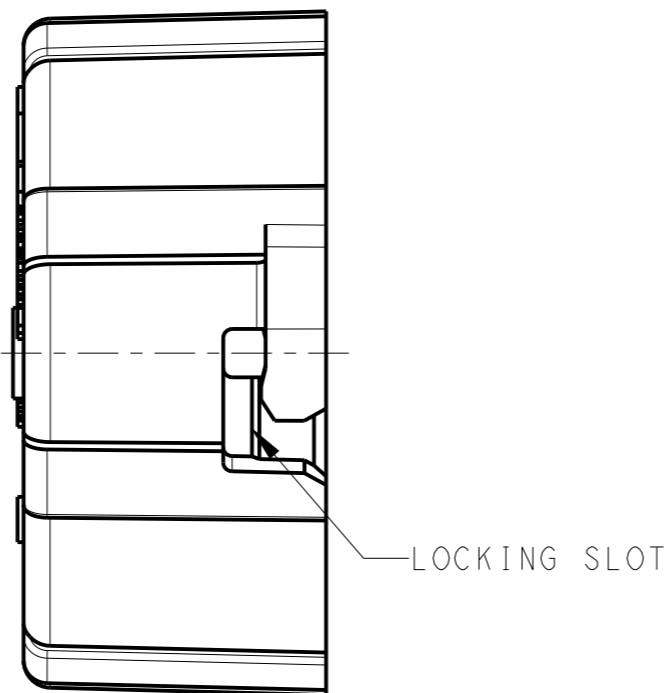
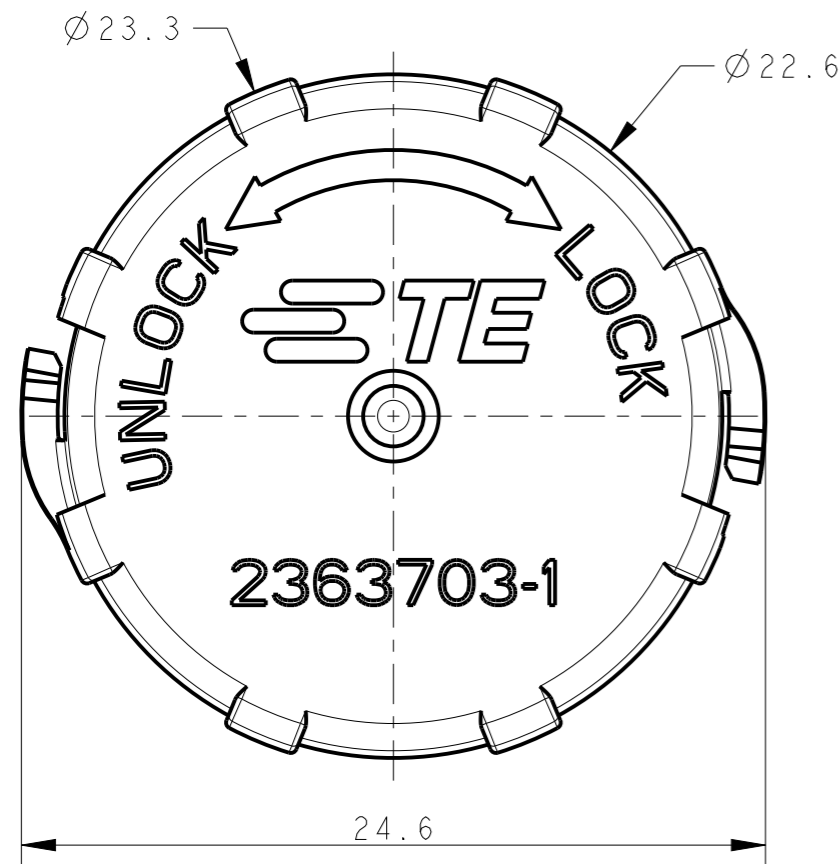


P	LTR	DESCRIPTION	DATE	DWN	APVD
	A	INITIAL RELEASE	26NOV2020	SM	MZ

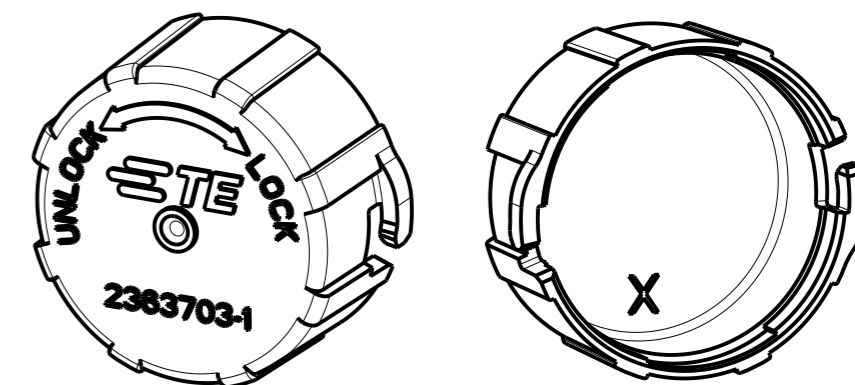
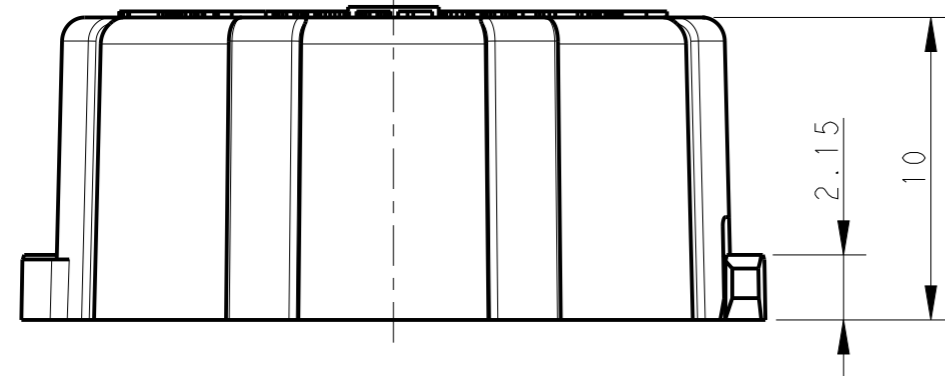


NOTES:

1. MATERIALS:  
PLASTIC: PBT+PC ALLOY, UL-V0 (BLACK COLOR)
2. IP RATING: IP68
3. FOR ASSEMBLY INSTRUCTIONS, REFER APPLICATION SPECIFICATION 114-133123
4. PACKAGING: IN PE BAG

**PRODUCT UNDER TESTING**

CONTACT PRODUCT ENGINEERING BEFORE USING THIS PRINT



PN: 2363703-1 AS SHOWN  
SCALE 2:1

THIS DRAWING IS A CONTROLLED DOCUMENT.

DIMENSIONS: mm		TOLERANCES UNLESS OTHERWISE SPECIFIED:	
		0 PLC	±0.2
		1 PLC	±0.2
		2 PLC	±0.1
		3 PLC	±
		4 PLC	±
MATERIAL		FINISH	
-		-	

DWN	SUBHASH.M	26NOV2020
CHK	M. ZUCCA	26NOV2020
APVD	PETER OTT	26NOV2020
PRODUCT SPEC	108-133123	
APPLICATION SPEC	114-133123	
WEIGHT	-	
CUSTOMER DRAWING		



NAME  
NECTOR T, 3Pos, PIN CONNECTOR DUST CAP

SIZE	CAGE CODE	DRAWING NO	RESTRICTED TO
A3	00779	C-2363703	-

SCALE	SHEET	OF	REV
4:1	1	1	A