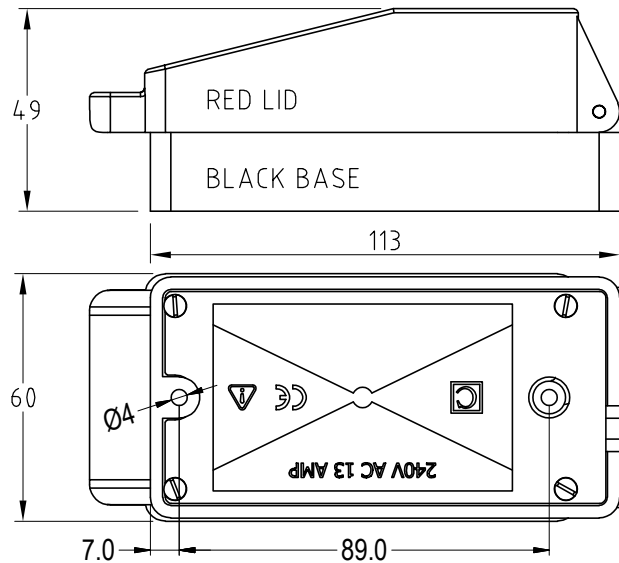
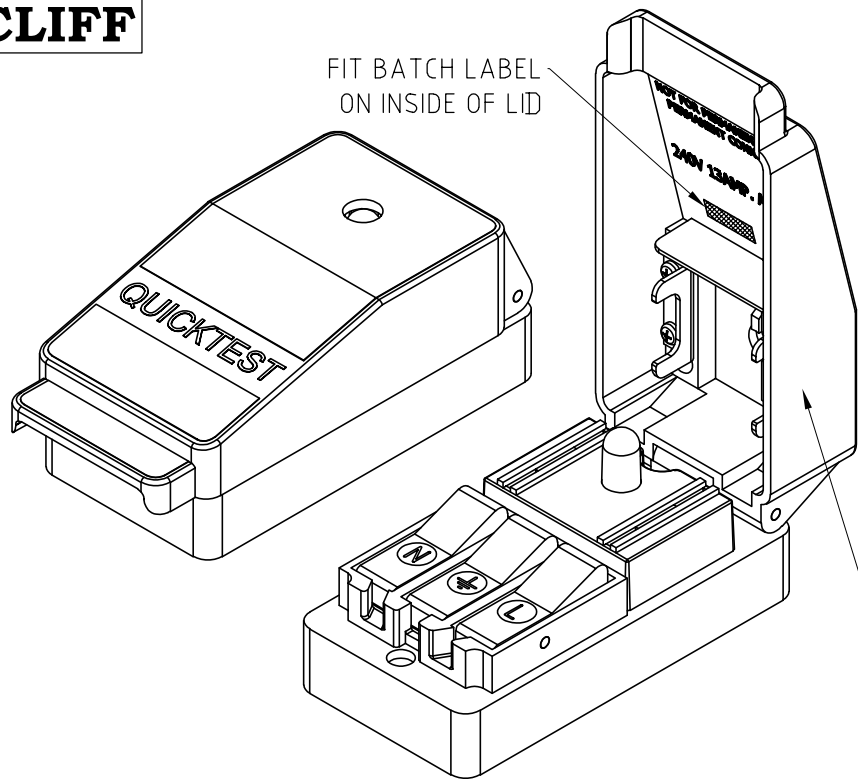


CLIFF

ISS.	AMEND	DATE
1	ISSUED	29/11/16



FIT WITH 13A FUSE

PACKING:

- a) FIT BATCH LABEL ON INSIDE OF LID.
- b) FIT WITH 13A FUSE
- c) PACK IN BOX WITH QT1 USA/CANADA INSTRUCTION LEAFLET OD1857SA2



N E L
CHECK COLOUR AND ID



QT1 USA/CANADA
INSTRUCTION LEAFLET

QT1 1st DRAWN 28/10/91

RoHS
COMPLIANT

TOLERANCE
NO DEC. PLACE ±
1 DEC. PLACE ±
2 DEC. PLACE ±
HOLE Ø ±
ANGLES ±
UNLESS
OTHERWISE STATED

DO NOT SCALE

Cliff Electronic Components Ltd.

76 Holmethorpe Avenue, Holmethorpe Industrial Estate,
Redhill, Surrey, RH1 2PF, England, UK
Tel: 01737-771375 Fax: 01737-766012 Website: www.cliffuk.co.uk

THE CONTENTS OF THIS DOCUMENT MUST NOT BE COPIED OR DISCLOSED TO A 3rd PARTY WITHOUT WRITTEN PERMISSION OF CLIFF UK. © 2016

DIMENSIONS IN MILLIMETERS UNLESS OTHERWISE STATED. WORK TO DIMENSIONS. REMOVE ALL BURRS. IF IN DOUBT ASK.

3rd ANGLE PROJECTION:

MATERIAL: COMPOSITE

FINISH: AS MOULDED (N=WHITE E=GREEN L=BLACK)

DRAWN: T.J.O.

APPROVED: D.P.J.

TITLE: QT1 USA/CANADA (13A FUSE)

DRWG. No. **CL1857**

FORM: A4DRWGH