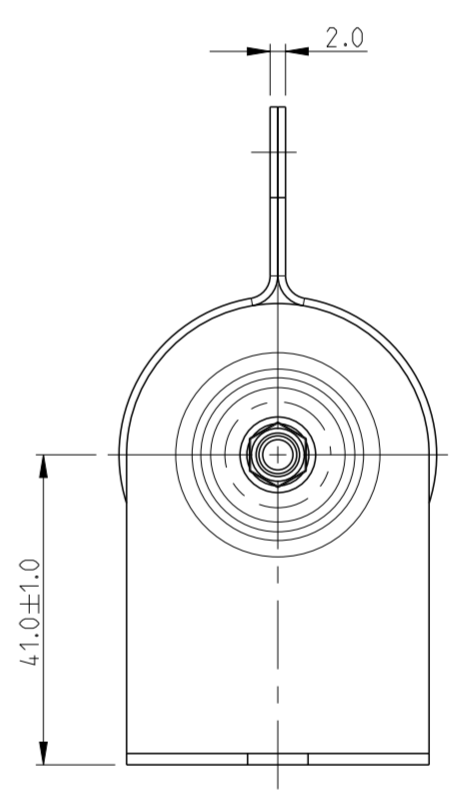
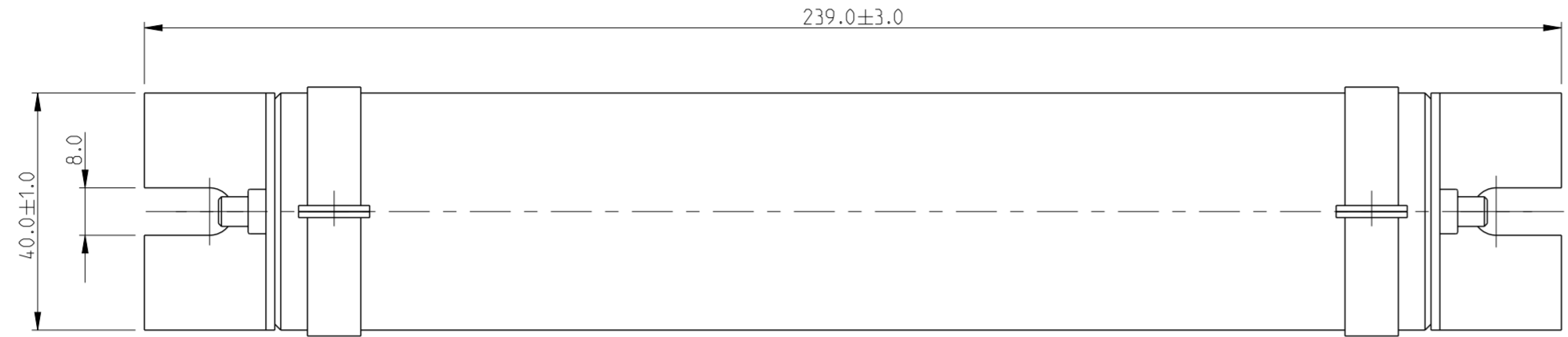
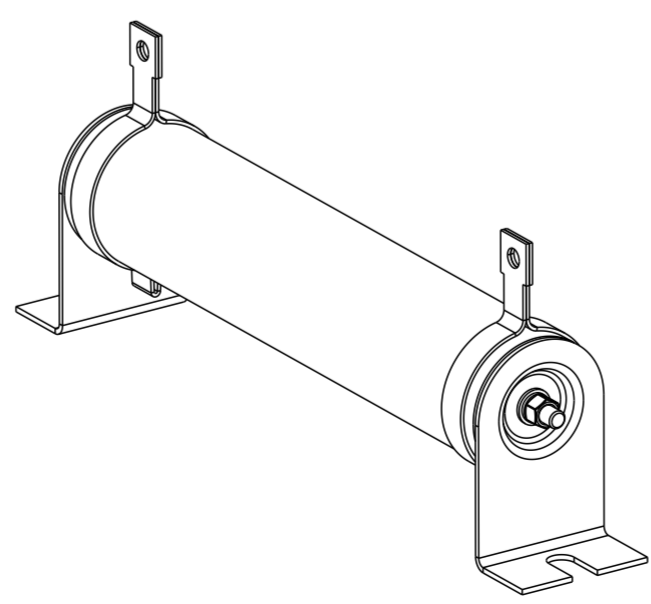


THIS DRAWING IS UNPUBLISHED. RELEASED FOR PUBLICATION 2011  
 © COPYRIGHT 2011 BY TYCO ELECTRONICS CORPORATION ALL RIGHTS RESERVED.


LOC		DIST		REVISIONS			
P	LTR	DESCRIPTION		DATE	DWN	APVD	
	BB	INITIAL RELEASE		17NOV2015	KR	TN	



- NOTES:
1. POWER RATING: 150W
  2. INSULATION RESISTANCE DC 500V - 20 M Ohms MIN.
  3. VOLTAGE RESISTABILITY: AC 2500V 1 MINUTE
  4. TUBE BORE AND SIDE FACES SHOULD BE FREE OF PAINT
  5. PARTS SHALL BE BLANK, SMOOTH, FREE OF BURRS AND ALL OTHER FOREIGN MATERIAL
  6. FOR FURTHER INFORMATION SEE DATASHEET FOR TE SERIES HIGH POWER WIRE WOUND RESISTOR
  7. FOR A SPECIFIC PART NUMBER RESISTANCE VALUE AND TOLERANCE , PLEASE REFER TO DMF
  8. FOR SPECIFIC PART NUMBER, RESISTANCE VALUE AND TOLERANCE PLEASE REFER TO SMART PART SEARCH



RoHS Compliant

THIS DRAWING IS A CONTROLLED DOCUMENT.		DWN 16NOV2015 RAGHAVENDRA K	 TE Connectivity	
DIMENSIONS: mm		CHK 16NOV2015 ALLAN P		
TOLERANCES UNLESS OTHERWISE SPECIFIED:		APVD 16NOV2015 TONY N	NAME HIGH POWER WIRE WOUND RESISTOR TE 150W SERIES	
0 PLC ±0.5		PRODUCT SPEC	SIZE	CAGE CODE
1 PLC ±0.1		APPLICATION SPEC	A2100779	1879446
2 PLC ±0.05		WEIGHT	DRAWING NO	
3 PLC ±		CUSTOMER DRAWING	RESTRICTED TO	
4 PLC ±		SCALE 1:1	SHEET 1 OF 1	
ANGLES ±0.5°		REV BB		
FINISH				