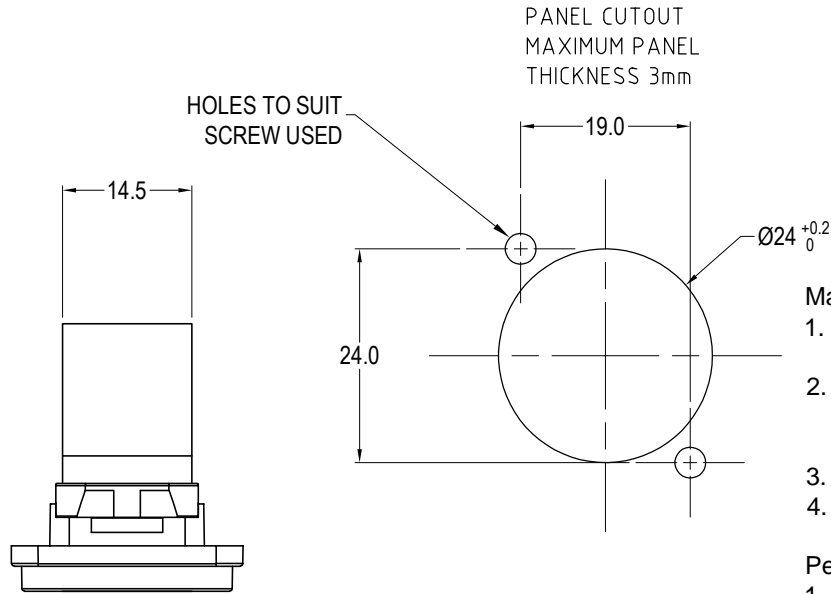


ISS.	AMEND	DATE
1	ISSUED	12/02/15
2	ADD WHITE VARIANTS	18/11/19
3	ADD MIN MAX TEMP	30/06/20



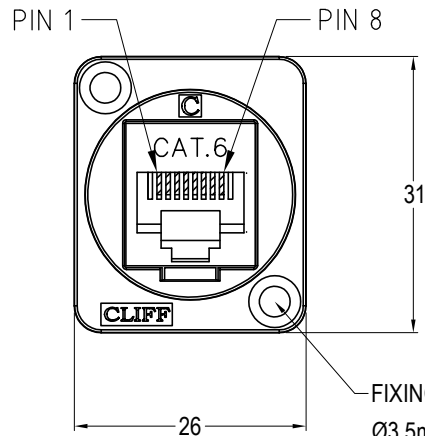
Material:

1. RJ45 In-Line Coupler: PC/ABS, UL 94V-0
2. RJ45 In-Line Coupler Contact: Phosphor Bronze, 3-50 micro inches gold plating over nickel plate.
3. PCB: FR4, UL 94V-0
4. Frame: Polyamide UL94V-2

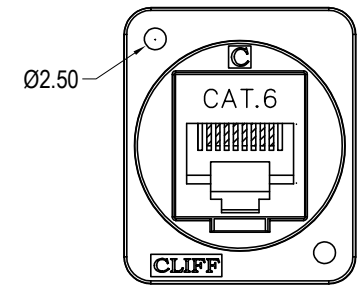
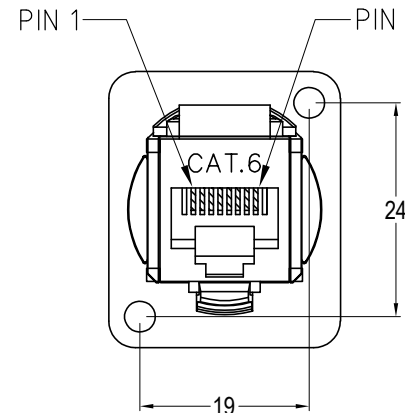
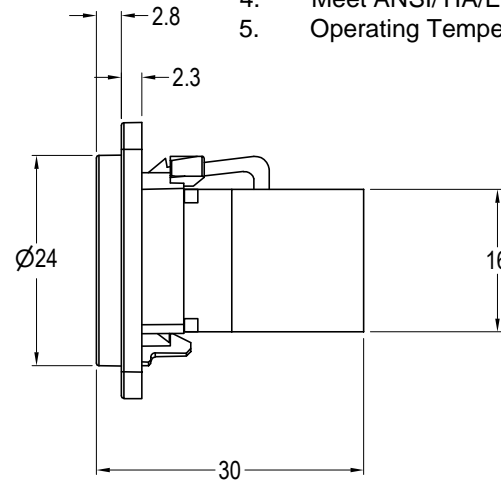
PART NO.	COLOUR	FIXING HOLE DETAILS
CP30222	BLACK	HOLE Ø3.5 x CSK 82° x Ø5.85
CP30222W	WHITE	
CP30222X	BLACK	PLAIN HOLE Ø2.50
CP30222XW	WHITE	

Performance:

1. T568A & T568B wiring.
2. Meet ISO/IEC 11801 and EN50173
4. Meet ANSI/TIA/EIA 568B.2
5. Operating Temperatures: Min -10°C Max +60°C



FIXING HOLE VARIANTS:
Ø3.5mm CSK 82° x Ø5.85
'X' VERSION HAS Ø2.5 PLAIN HOLES.



'X' VERSION
Ø2.5 PLAIN HOLES

RoHS
COMPLIANT

TOLERANCE
NO DEC. PLACE ±
1 DEC. PLACE ±
2 DEC. PLACE ±
HOLE Ø ±
ANGLES ±
UNLESS OTHERWISE STATED

DO NOT SCALE

Cliff Electronic Components Ltd.

76 Holmethorpe Avenue, Holmethorpe Industrial Estate,
Redhill, Surrey, RH1 2PF, England, UK
Tel: 01737-771375 Fax: 01737-766012 Website: www.cliffuk.co.uk

THE CONTENTS OF THIS DOCUMENT MUST NOT BE COPIED OR DISCLOSED TO A 3rd PARTY WITHOUT WRITTEN PERMISSION OF CLIFF UK. © 2015

DIMENSIONS IN MILLIMETERS UNLESS OTHERWISE STATED. WORK TO DIMENSIONS. REMOVE ALL BURRS. IF IN DOUBT ASK.

MATERIAL: SEE NOTES + TABLE

FINISH: SEE NOTES + TABLE

DRAWN: D.P.J.

APPROVED: D.P.J.

3rd ANGLE PROJECTION:

TITLE: FEED THROUGH UTP CAT6 RJ45

DRWG. No. CP30222

FORM: A4DRWGH