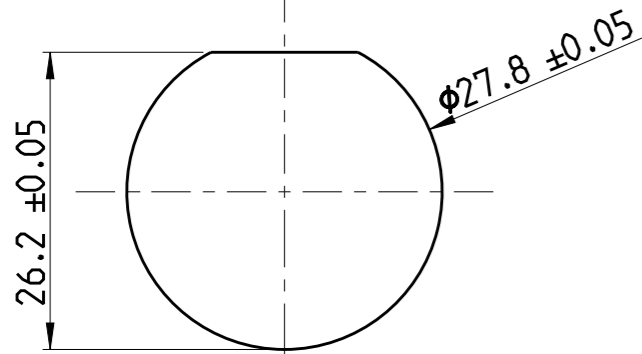
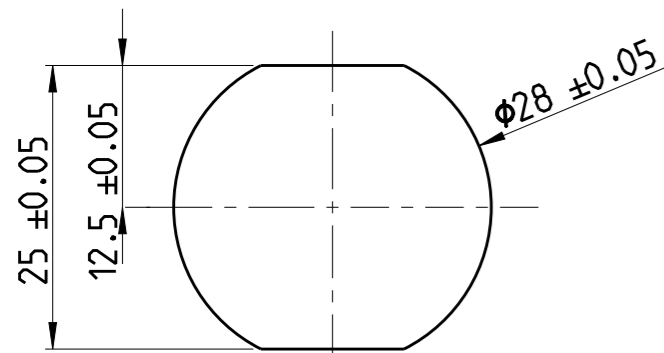


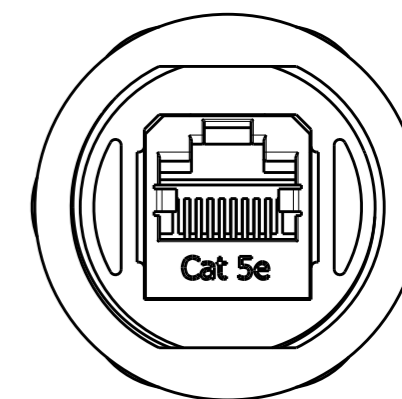
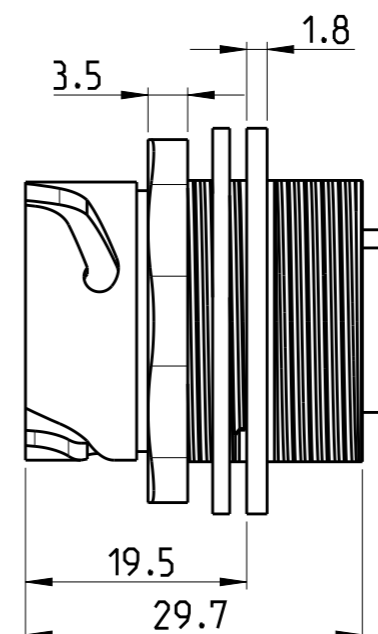
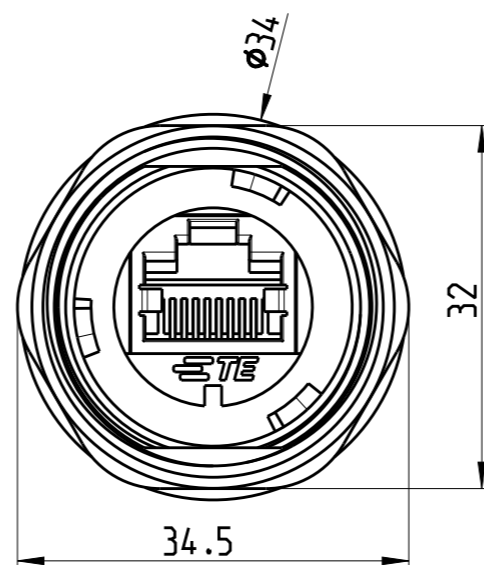
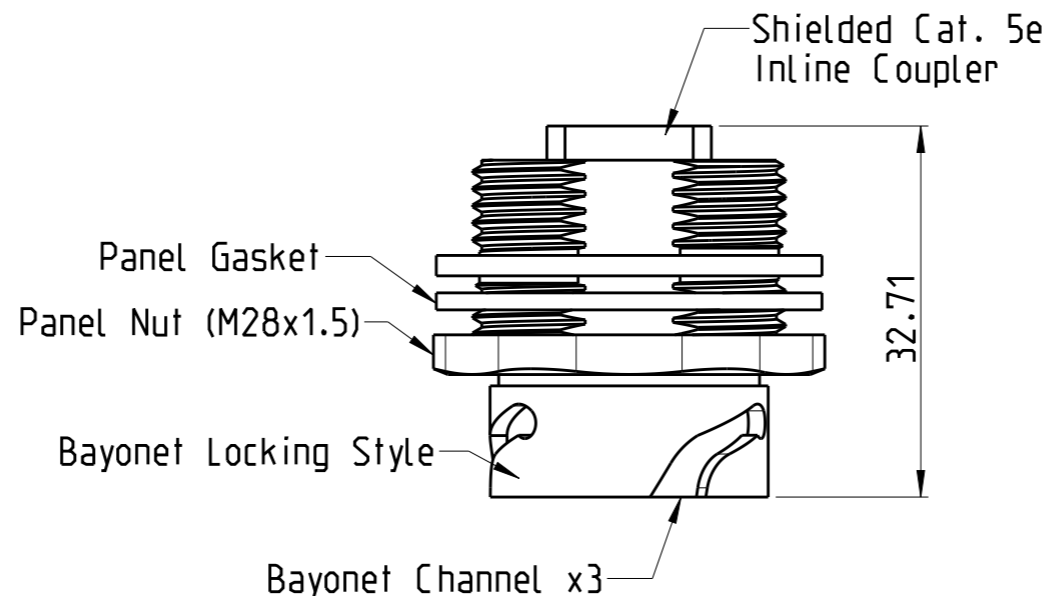
P	LTR	DESCRIPTION	DATE	DWN	APVD
A		INITIAL RELEASE	19APR2019	SS	KMA
B		ECR-19-018070	18NOV2019	SS	JK



Recommended Single-D Panel Cutout



Recommended Double-D Panel Cutout



Notes:

- Electrical Specifications:
 - Meets EIA/TIA-568-B.2 Cat.5e Specification
 - Contact Resistance: 20mOhm max.
 - Insulation Resistance: 500MOhm min. @ 100 VDC
 - Current Rating: 1.2A max. at 25°C
 - Working Voltage: 72 VDC
 - DWV: 1000 VDC/60s Contact to Contact, 1500 VDC/60s Contact to Metal Shell
 - Operating Temperature: -40°C to +85°C

2. Material and Finish:

- Receptacle Housing: Zinc Die-Cast, Finish: Nickel Plated
- Panel Nut: Brass, Finish: Nickel Plated
- Panel Gasket: Silicon, Color: Transparent
- RJ45 Jack Metal Shell: Copper Alloy, Nickel Plated
- RJ45 Jack Plastic Housing: Glass filled PBT UL94 V-0, Color: Black
- RJ45 Jack Contacts: Phosphor Bronze, Finish: 50u" Gold min. over Nickel

3. Connector can be front or rear mounted to a maximum panel thickness of 3.2mm.

4. IP67 rated when covered or fully mated with the appropriate mating connector

5. RoHS compliant

6. Packaging Spec: 107-19763

7. Material and Finish:

- Receptacle Housing: PBT UL 94 V-0, black
- Panel Nut: Brass, Finish: Nickel Plated
- Panel Gasket: Silicon, Color: Transparent
- RJ45 Jack Metal Shell: Copper Alloy, Nickel Plated
- RJ45 Jack Plastic Housing: Glass filled PBT UL94 V-0, Color: Black
- RJ45 Jack Contacts: Phosphor Bronze, Finish: 50u" Gold min. over Nickel

E81956	7	2355443-2
E81956	2	2355443-1
UL NO.	MATERIAL	TEPN

DIMENSIONS:		TOLERANCES UNLESS OTHERWISE SPECIFIED:		APPROVALS		TE Connectivity	
mm				DATE	NAME	SIZE	RESTRICTED TO
		0 PLC	±0.50	DWN	S.SHARMA	19APR2019	
		1 PLC	±0.38	CHK	K.MALCZYK	24APR2019	
		2 PLC	±0.25	APVD	J.de BRULIN	24APR2019	
		3 PLC	±0.10	PRODUCT SPEC			
		4 PLC	±	APPLICATION SPEC			
		ANGLES	±3°	114-19162			
MATERIAL	SEE TABLE	FINISH	SEE TABLE	WEIGHT	-		
THIS DRAWING IS A CONTROLLED DOCUMENT.				CUSTOMER DRAWING		SCALE	3:2
				NAME		JACK RECEPT. ASSY KIT SHIELDED CAT 5e RJ45 COUPLER	
				CAGE CODE		A3 00779	
				DRAWING NO		C-2355443	
				SHEET		1 OF 1	
				REV		B	