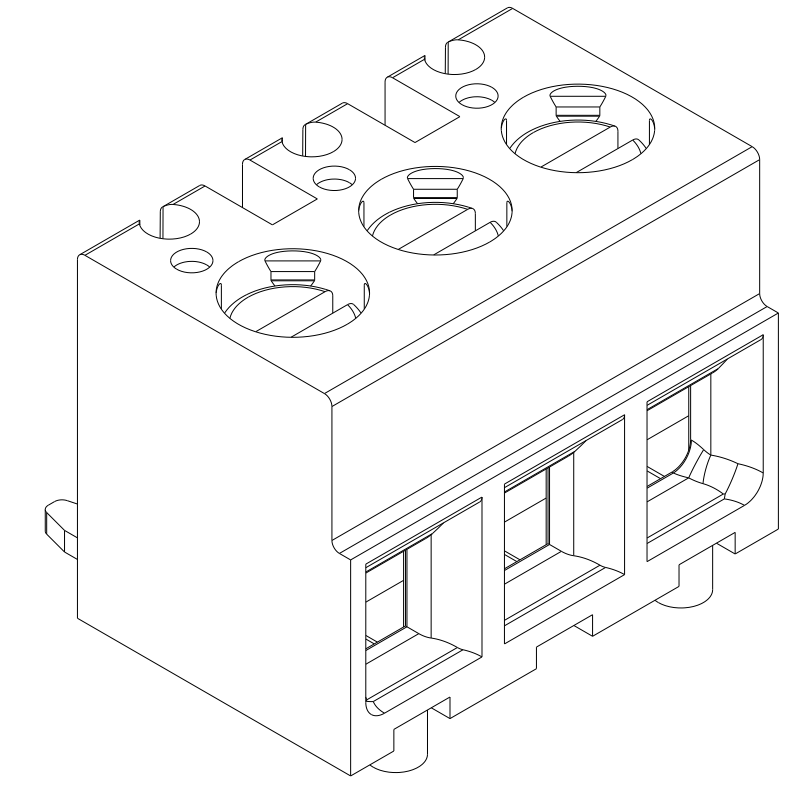
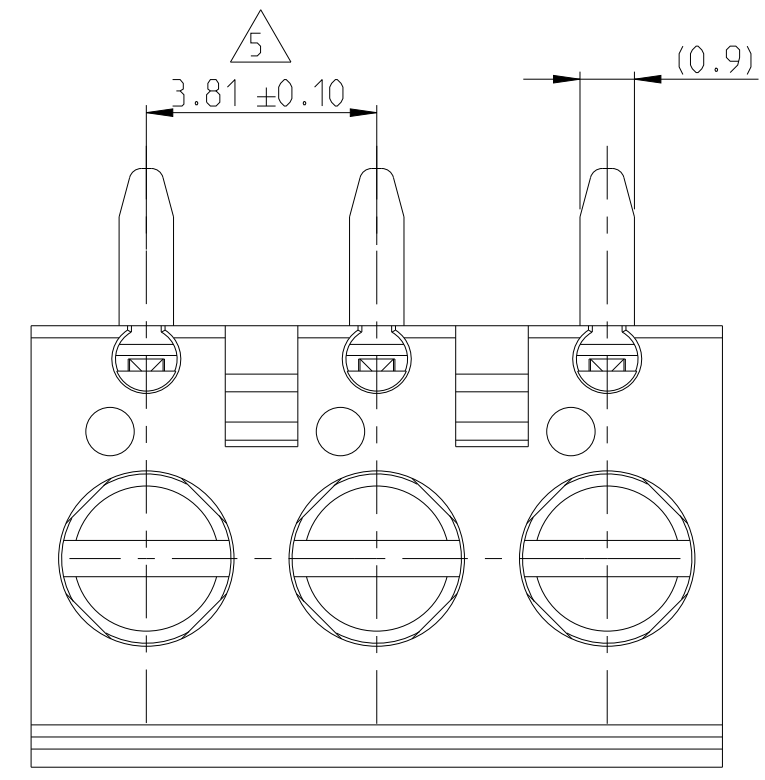


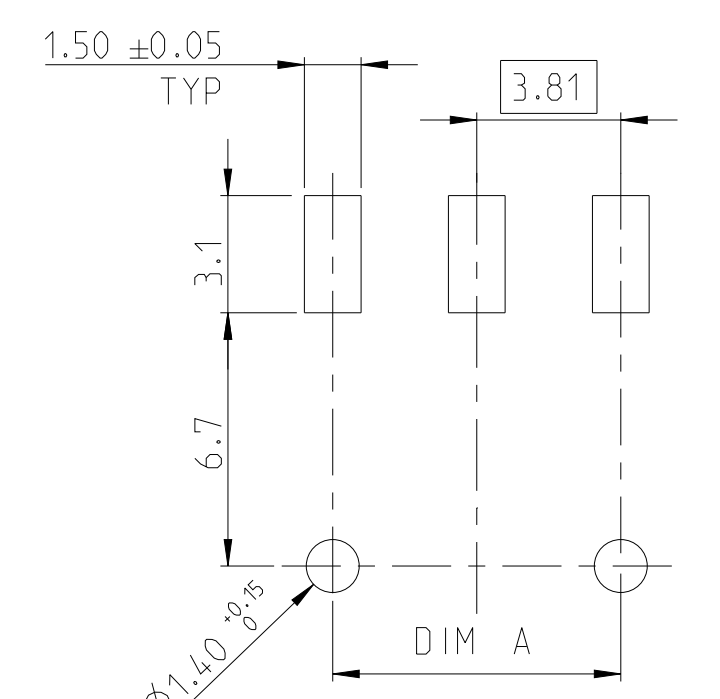
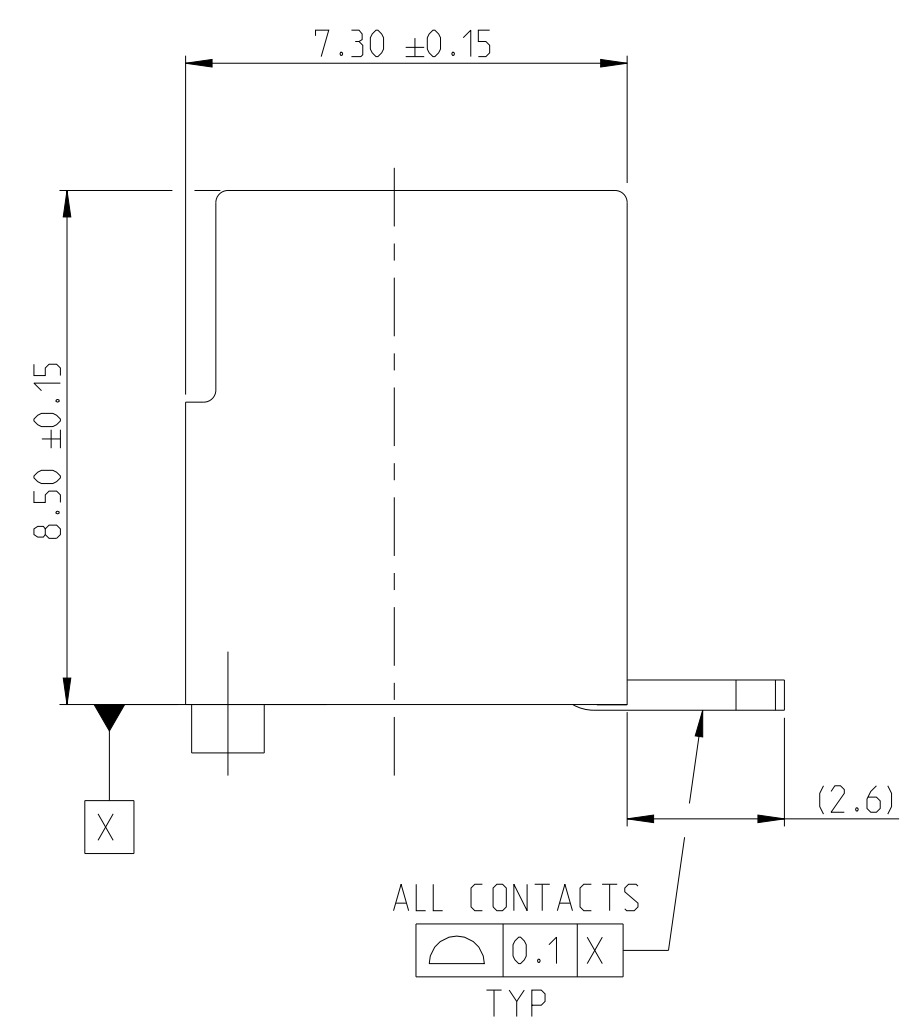
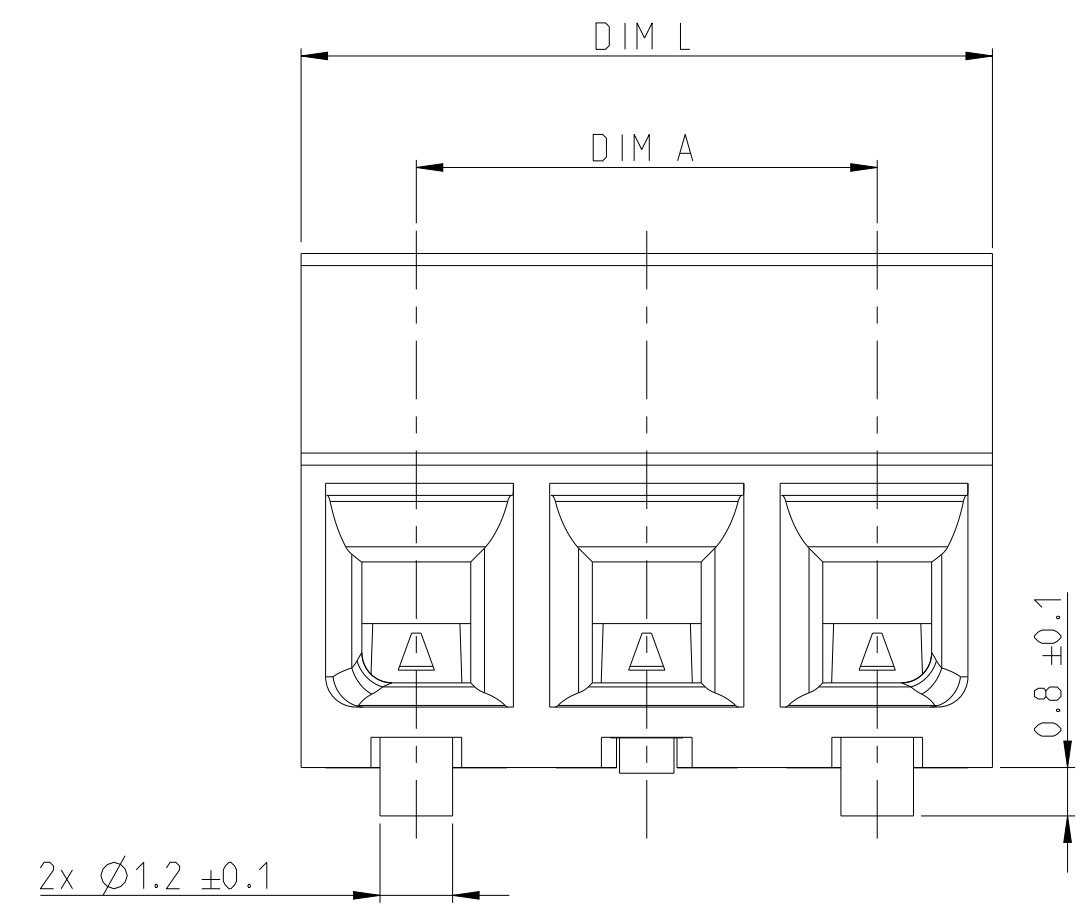
REVISIONS					
P	LTR	DESCRIPTION	DATE	DWN	APVD
1		PRELIMINARY	30DEC2020	DV	PS
A		PRODUCTION RELEASE	28APR2021	SS	PS



2383945-3 AS SHOWN

NOTES

- 1. MATERIALS & FINISH
 HOUSING : HIGH TEMPERATURE PA, UL94 V0,
 COLOR -BLACK
 SCREW M2 : COPPER ALLOY, NICKEL PLATED
 CLAMP : COPPER ALLOY, NICKEL PLATED
 CONTACT : COPPER ALLOY, NICKEL & TIN PLATED
- 2. MECHANICAL
 WIRE STRIPPING LENGTH : 5-6 mm
 RECOMMENDED/HIGHEST TIGHTENING TORQUE : 0.5/0.6 Nm.
- 3. ELECTRICAL
 WIRE RANGE : 16 - 28 AWG
 MAX. VOLTAGE : 300 V
 MAX CURRENT : 12 A
 CONTACT RESISTANCE : <15 m Ohm
 INSULATION RESISTANCE : >1000 M Ohm (500V DC)
- 4. OPERATING TEMPERATURE RANGE: -40 °C TO +105 °C
- 5. NOT CUMULATIVE TOLERANCE.
- 6. SCREW CLAMP WILL BE IN CLOSED CONDITION.



RECOMMENDED PCB LAYOUT

DIM A	DIM L	POSITION	TE PN
41.91	45.72	12	1-2383945-2
38.10	41.91	11	1-2383945-1
34.29	38.10	10	1-2383945-0
30.48	34.29	9	2383945-9
26.67	30.48	8	2383945-8
22.86	26.67	7	2383945-7
19.05	22.86	6	2383945-6
15.24	19.05	5	2383945-5
11.43	15.24	4	2383945-4
7.62	11.43	3	2383945-3
3.81	7.62	2	2383945-2

THIS DRAWING IS A CONTROLLED DOCUMENT.

DIMENSIONS: mm	TOLERANCES UNLESS OTHERWISE SPECIFIED: 0 PLC ± 1 PLC ±0.3 2 PLC ±0.25 3 PLC ± 4 PLC ±	DWN 29-DEC-20 DATESH VERNEKAR CHK 30-DEC-20 SUBHASREE SAHOO APVD 30-DEC-20 PRASHANTH S PRODUCT SPEC 108-160231 APPLICATION SPEC	NAME TERMINAL BLOCK, SMD MOUNT 180 DEGREE, 3.81 mm PITCH 12A
MATERIAL	FINISH	WEIGHT	SIZE CAGE CODE DRAWING NO RESTRICTED TO A2 00779 C-2383945
1	1	CUSTOMER DRAWING	SCALE 5:1 SHEET 1 OF 1 REV A