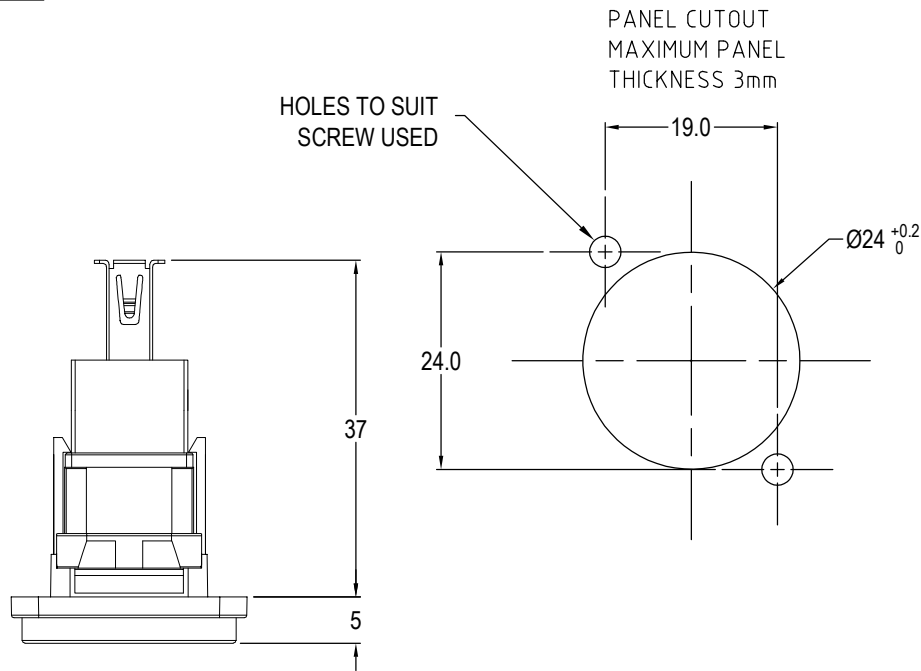


ISS.	AMEND	DATE
1	1st DRAWN	10/12/15
2	ADD M3 VARIANT	29/05/18



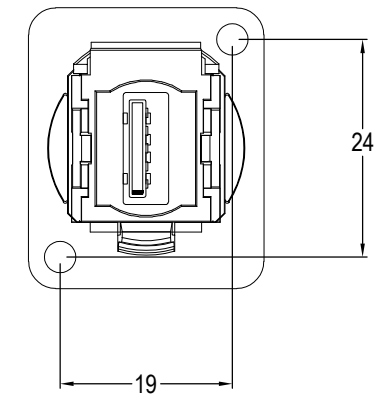
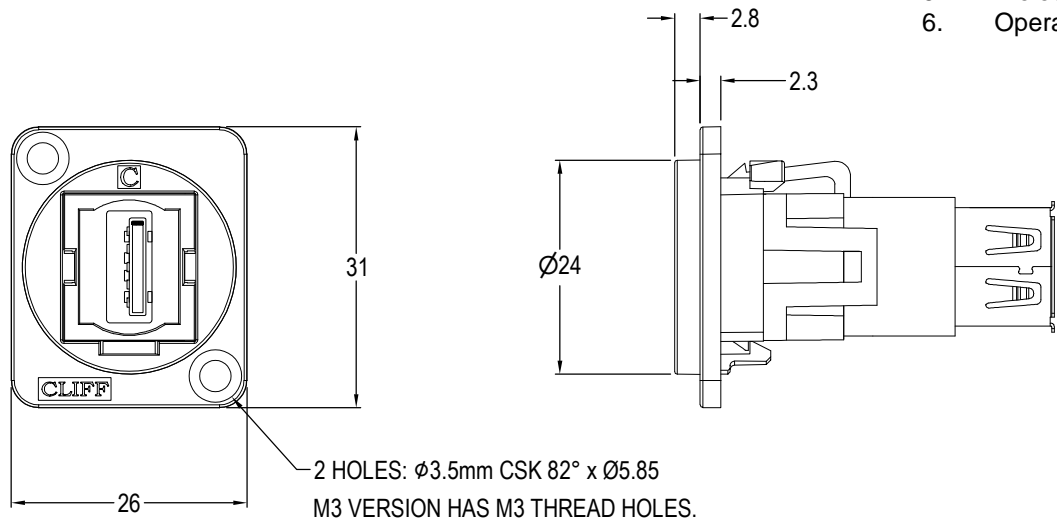
**Material:**

1. Insert: ABS
2. Frame: Black Nickel plated zinc diecast
3. Shell: Nickel plated steel
4. Contacts: Gold Plated

**Notes:**

1. Voltage rating: 30V ac
2. Current rating: 1.8 A max
3. Contact resistance: 50mΩ max
4. Insulation resistance: 20MΩ min
5. Dielectric withstanding voltage: 500V AC
6. Operating Temperature: -20°C to 50°C

VARIANTS	
PART No.	HOLE DETAILS
CP30205NMB	HOLE $\varnothing 3.50$ x CSK 82° x $\varnothing 5.85$
CP30205NM3B	M3 HOLES



**RoHS**  
COMPLIANT

**TOLERANCE**  
 NO DEC. PLACE ±  
 1 DEC. PLACE ±  
 2 DEC. PLACE ±  
 HOLE  $\varnothing$  ±  
 ANGLES ±  
 UNLESS OTHERWISE STATED

**Cliff Electronic Components Ltd.**  
 76 Holmethorpe Avenue, Holmethorpe Industrial Estate,  
 Redhill, Surrey, RH1 2PF, England, UK  
 Tel: 01737-771375 Fax: 01737-766012 Website: www.cliffuk.co.uk

DIMENSIONS IN MILLIMETERS UNLESS OTHERWISE STATED. WORK TO DIMENSIONS. REMOVE ALL BURRS. IF IN DOUBT ASK.

3rd ANGLE PROJECTION:

DO NOT SCALE

MATERIAL: See Notes

TITLE: FT BLACK METAL USB 3.0 A TO USB 3.0 A

FINISH: See Notes

DRAWN: D.P.J.

APPROVED: D.P.J.

DRWG. No. **CP30205NMB**

FORM: A4DRWG1