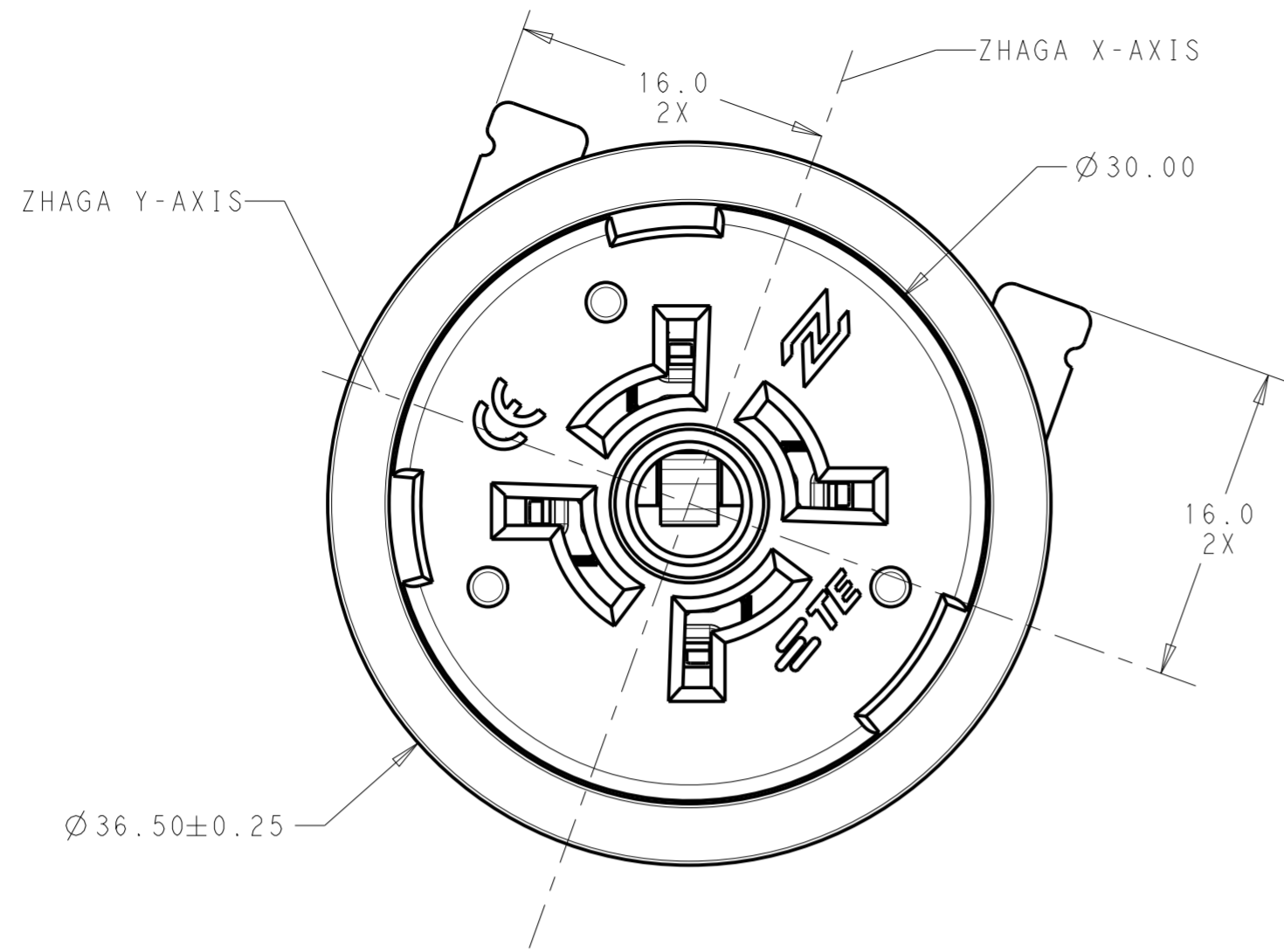
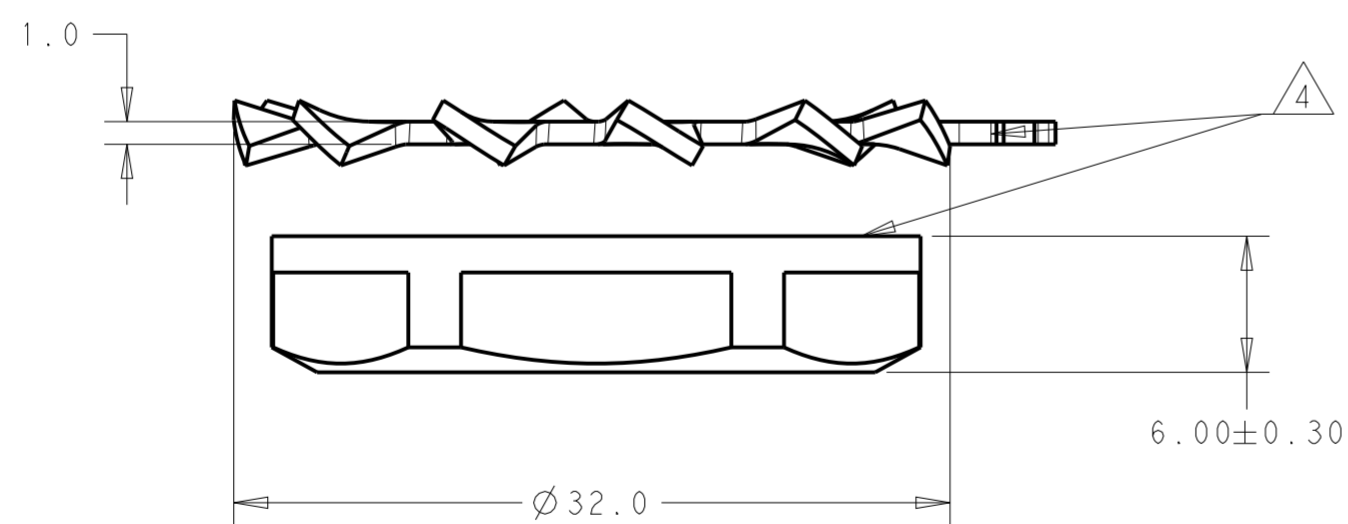
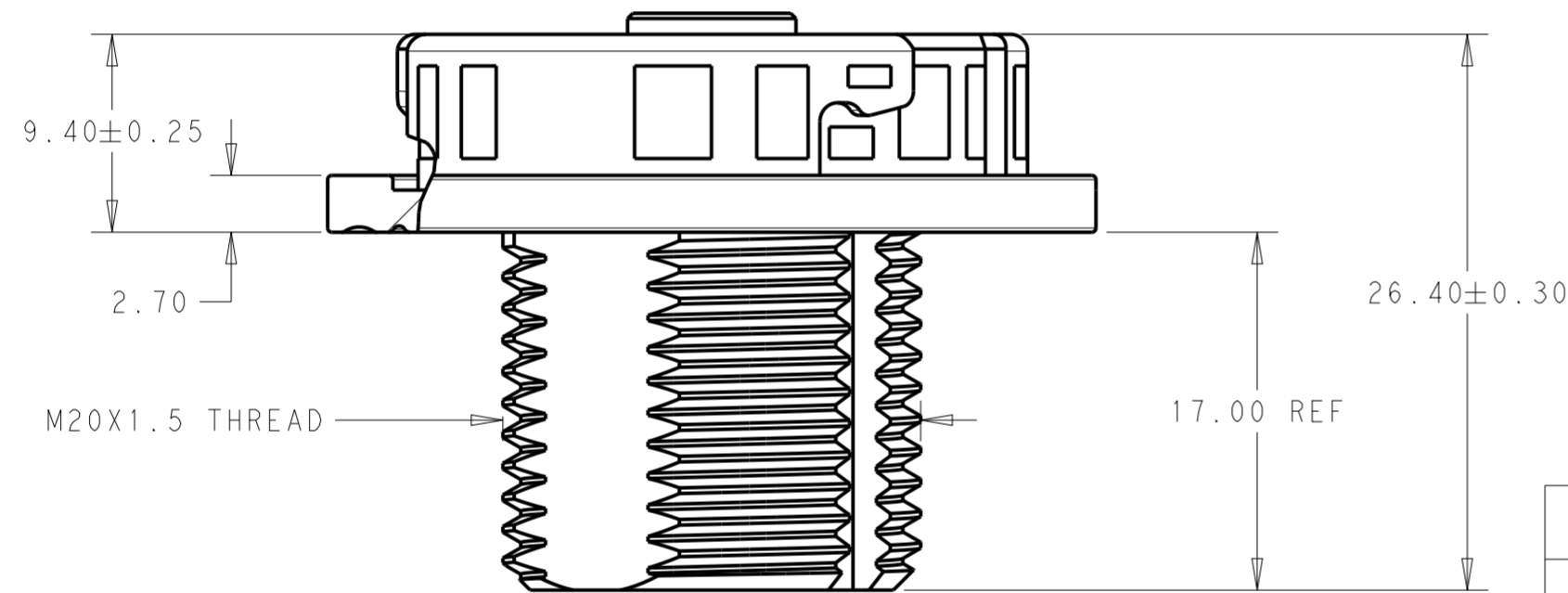


| P  | LTR | DESCRIPTION   | DATE      | DWN | APVD |
|----|-----|---------------|-----------|-----|------|
| A  |     | ECR-21-004177 | 08APR2021 | CD  | CD   |
| A1 |     | ECR-21-105276 | 17JUN2021 | CD  | CD   |



2363638-1  
SHOWN



SEE SHEET 2 FOR  
BOTTOM DETAIL

1. MATERIALS AND FINISH:  
 - RECEPTACLE HOUSING: PBT, COLOR: BLACK  
 - NUT: NYLON, COLOR: BLACK  
 - CONTACTS: COPPER ALLOY, FINISH: Sn OVER Ni  
 - SEAL: SILICON, COLOR: BLACK  
 - STAR WASHER: STAINLESS STEEL

2. MUST COMPLY WITH DIRECTIVE 2002/95/EC (ROHS)

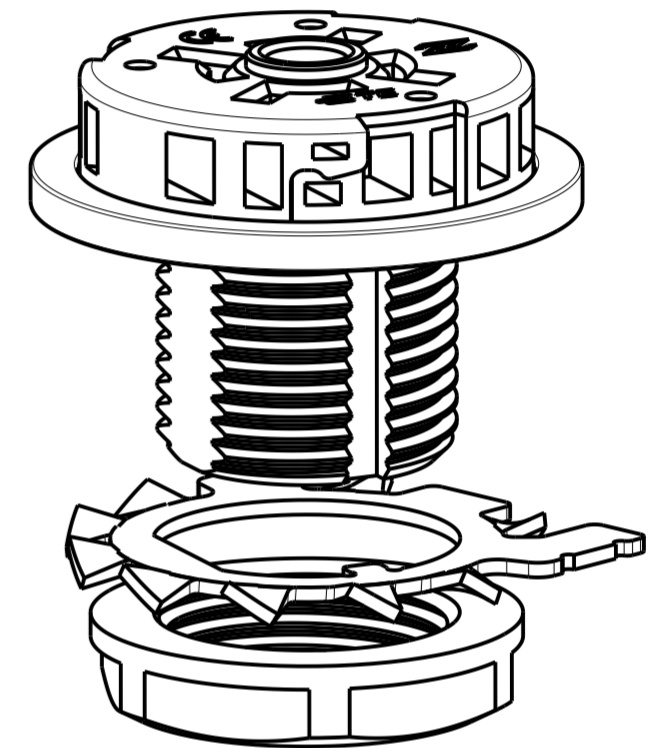
3. WIRE SIZE: 20-18AWG; MAX INSULATION OD: Ø2.25; MAX WIRE OD: Ø1.30  
 STRIP LENGTH: 10.0±1.0

4. LOCK WASHER (REF P/N: 2363815-1 OR 2393258-1) AND NUT (REF P/N: 2374786-1)  
 NOT ASSEMBLED, SHIPPED BULK PACKED.

5. ZHAGA BOOK 18 COMPLIANT

6. THIS PRODUCT HAS NOT COMPLETED VALIDATION TESTING

7. RECEPTACLE AND GASKET ONLY; NO NUT OR LOCK WASHER



2363638-1  
SHOWN

|              |             |             |             |            |                 |                 |
|--------------|-------------|-------------|-------------|------------|-----------------|-----------------|
| ROUND        | X-2343404-X | 2343405-X   | 2341474-X   | NONE       | KEY POSITION A  | 4 2-2363638-2   |
| ROUND        | 2213831-X   | 2213837-X   | 2213795-X   | NONE       | NO KEY          | 4 5 2-2363638-1 |
| NONE         | X-2343404-X | 2343405-X   | 2341474-X   | YES        | KEY POSITION A  | 7 1-2363638-6   |
| NONE         | 2213831-X   | 2213837-X   | 2213795-X   | YES        | NO KEY          | 7 5 1-2363638-5 |
| WINGED       | X-2343404-X | 2343405-X   | 2341474-X   | YES        | KEY POSITION A  | 4 1-2363638-2   |
| WINGED       | 2213831-X   | 2213837-X   | 2213795-X   | YES        | NO KEY          | 4 5 1-2363638-1 |
| NONE         | X-2343404-X | 2343405-X   | 2341474-X   | NONE       | KEY POSITION A  | 7 2363638-6     |
| NONE         | 2213831-X   | 2213837-X   | 2213795-X   | NONE       | NO KEY          | 7 5 2363638-5   |
| WINGED       | X-2343404-X | 2343405-X   | 2341474-X   | NONE       | KEY POSITION A  | 4 2363638-2     |
| WINGED       | 2213831-X   | 2213837-X   | 2213795-X   | NONE       | NO KEY          | 4 5 2363638-1   |
| WASHER STYLE | 80mm MODULE | 40mm MODULE | SEALING CAP | COLOR DOTS | KEYING POSITION | PART NO         |

THIS DRAWING IS A CONTROLLED DOCUMENT.

DWN 18NOV2019  
C. DAILY

CHK 18NOV2019  
C. DAILY

APVD -

PRODUCT SPEC

108-160194

APPLICATION SPEC

114-160106

WEIGHT -

CUSTOMER DRAWING

NAME RECEPTACLE ASSEMBLY,  
LUMAWISE ENDURANCE S2

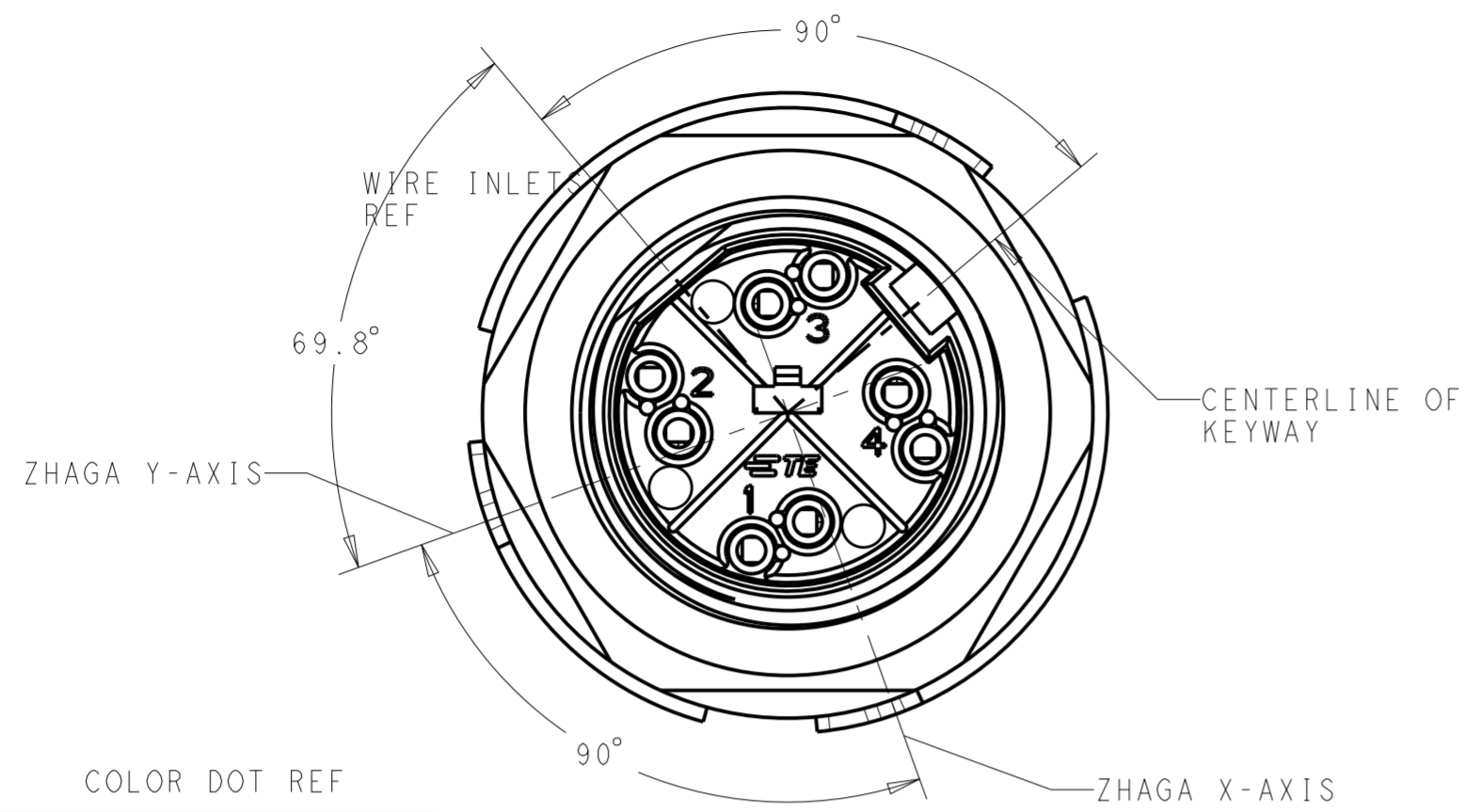
SIZE A2 CAGE CODE 00779 DRAWING NO C-2363638 RESTRICTED TO -

SCALE 3:1 SHEET 1 OF 2 REV A1

| DIMENSIONS: | TOLERANCES UNLESS OTHERWISE SPECIFIED: |
|-------------|--|
| mm          | 0 PLC ±                                |
|             | 1 PLC ±0.2                             |
|             | 2 PLC ±0.13                            |
|             | 3 PLC ±                                |
|             | 4 PLC ±                                |
| ANGLES      | ±1°                                    |
| FINISH      | -                                      |
| MATERIAL    | -                                      |

STE TE Connectivity

| P | LTR | DESCRIPTION | DATE | DWN | APVD |
|---|-----|-------------|------|-----|------|
| - | -   | SEE SHEET 1 | -    | -   | -    |

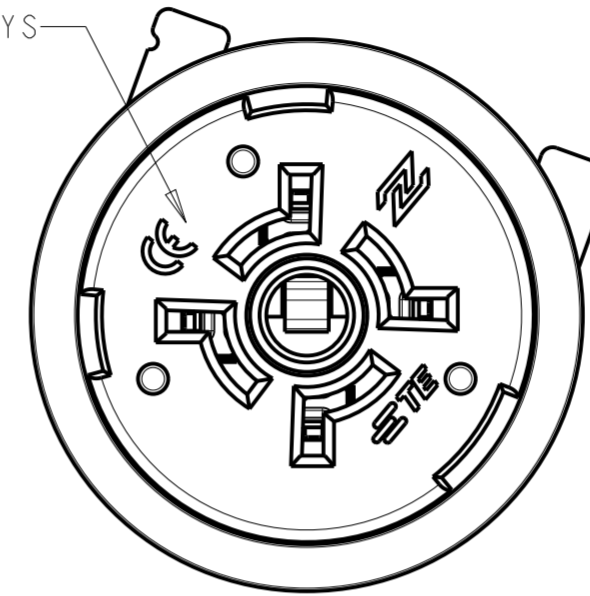


COLOR DOT REF

|            |        |
|------------|--------|
| POSITION 1 | RED    |
| POSITION 2 | BLACK  |
| POSITION 3 | PURPLE |
| POSITION 4 | NONE   |

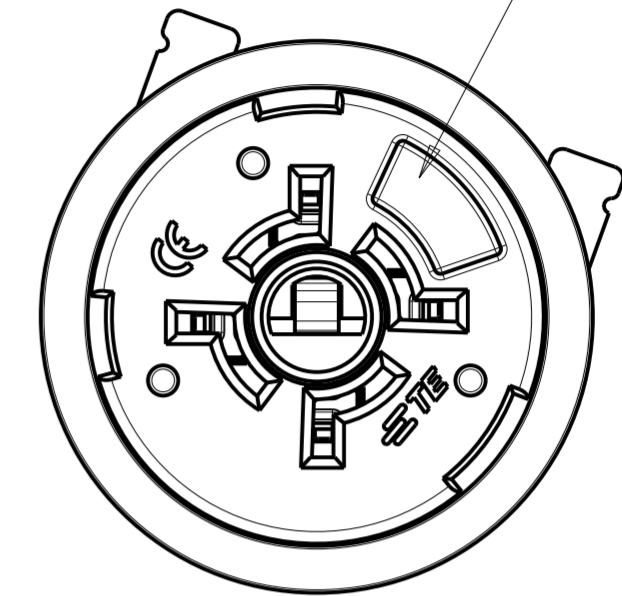
BOTTOM VIEW  
(GASKET, NUT AND WASHER NOT SHOWN FOR CLARITY)

NOTE: NO KEYS

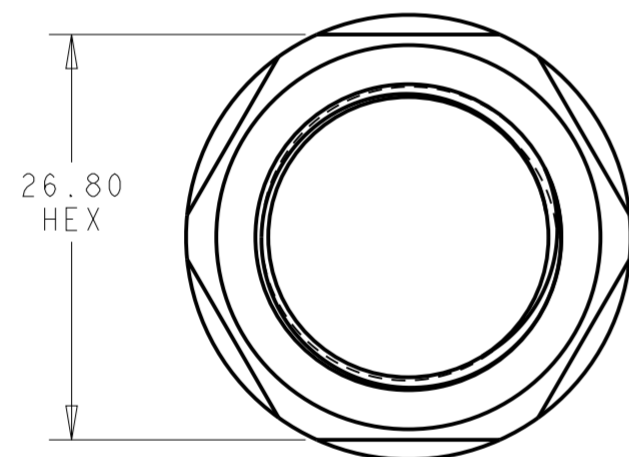


2363638-1 AND 1-2363638-1  
NO KEY POSITION  
SCALE 2:1

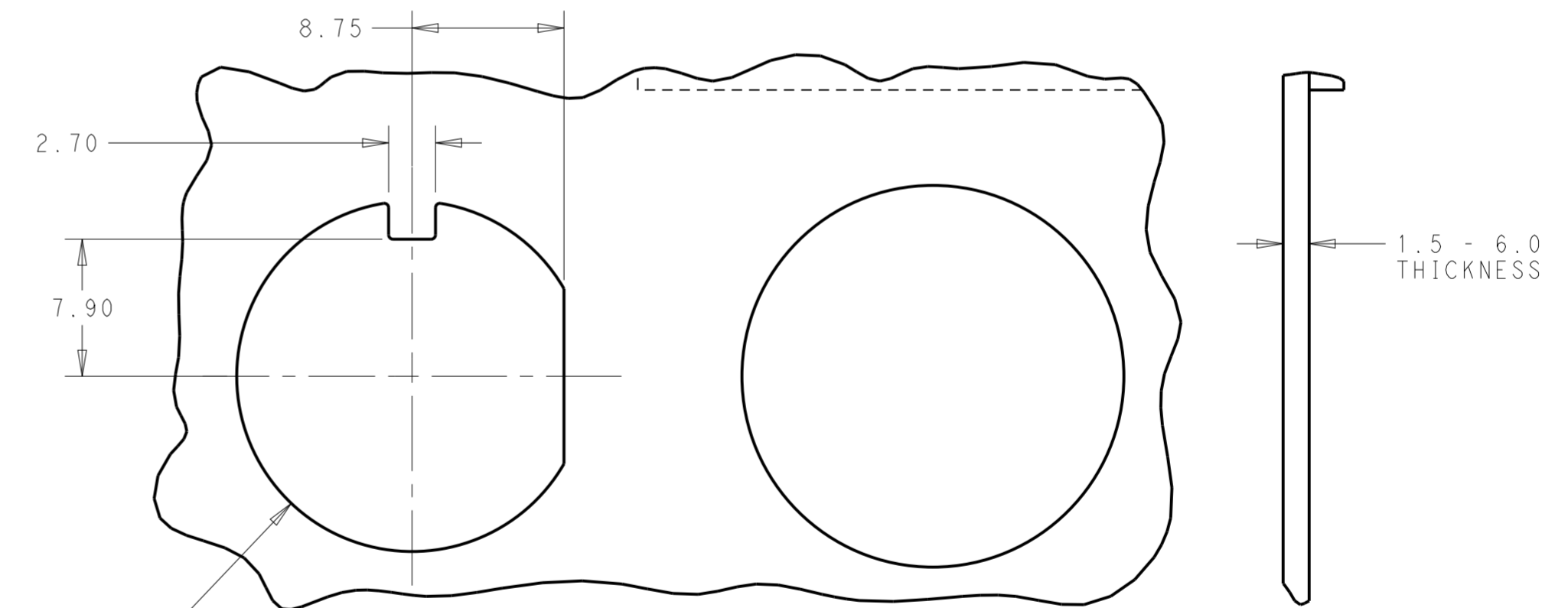
NOTE: KEY



2363638-2, 1-2363638-2  
KEY POSITION A  
SCALE 2:1

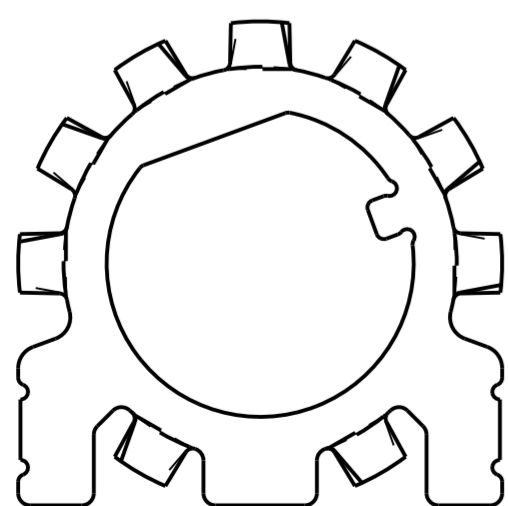


LOCKING NUT DETAIL  
SCALE 2:1

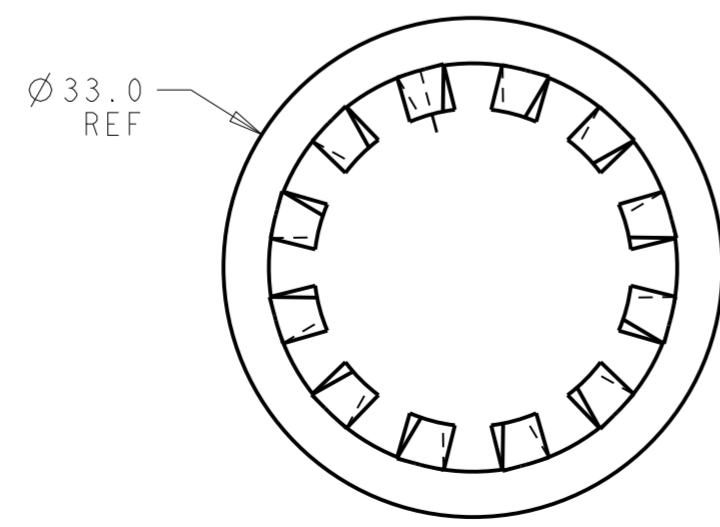


PREFERRED PANEL CUTOUT

OPTIONAL  
INTERNAL STANDING RIB  
PANEL CUTOUT



WINGED WASHER (REF)  
2363815-1  
SCALE 2:1



ROUND WASHER (REF)  
2393258-1  
SCALE 2:1

|  |  |                                |   |                         |
|--|--|--------------------------------|---|-------------------------|
| THIS DRAWING IS A CONTROLLED DOCUMENT.                     |  | DWN<br>C. DAILY<br>18NOV2019   | TE Connectivity                                       |                         |
| DIMENSIONS:<br>mm  |  | CHK<br>C. DAILY<br>18NOV2019   |   |                         |
| TOLERANCES UNLESS OTHERWISE SPECIFIED:                     |  | APVD<br>-                      | NAME<br>RECEPTACLE ASSEMBLY,<br>LUMAWISE ENDURANCE S2 |                         |
| 0 PLC ±<br>1 PLC ±0.2<br>2 PLC ±0.13<br>3 PLC ±<br>4 PLC ± |  | PRODUCT SPEC<br>108-160194     | SIZE<br>A2  |                         |
| ANGLES ±1°<br>FINISH                                       |  | APPLICATION SPEC<br>114-160106 | CAGE CODE<br>A200779                                  | DRAWING NO<br>C-2363638 |
| MATERIAL<br>-  |  | WEIGHT<br>-                    | RESTRICTED TO<br>-                                    |                         |
|  |  | CUSTOMER DRAWING               | SCALE<br>3:1  | SHEET<br>2 OF 2         |
|  |  |                                | REV<br>A1   |                         |