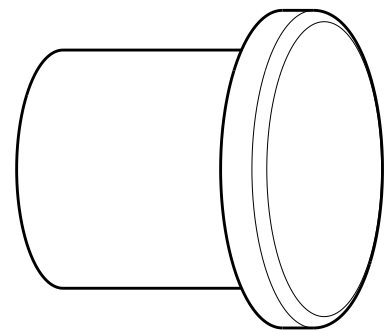
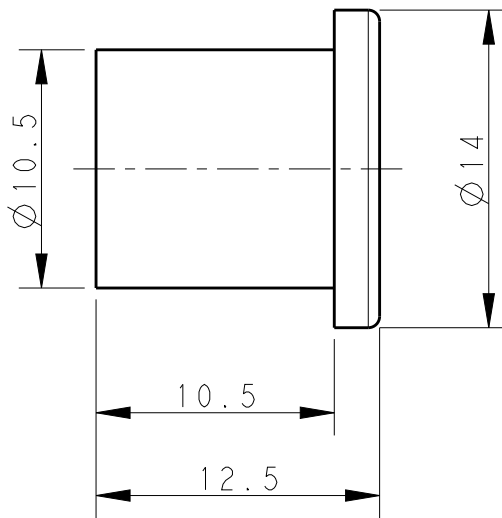
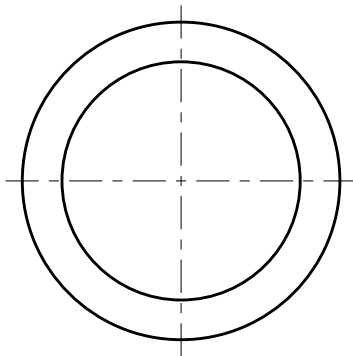


REVISIONS					
P	LTR	DESCRIPTION	DATE	DWN	APVD
	A	INITIAL ISSUE	02DEC2020	SM	MZ

NOTES:

1. MATERIAL: SILICON SHORE 70
ORANGE COLOR
2. PACKED IN PE BAGS



PN 2361045-1 AS SHOWN

© 2020 TE Connectivity. All Rights Reserved.

DIMENSIONS: mm	DWN SUBHASH.M	02DEC2020	MATERIAL	SEE NOTES	FINISH	-
	CHK M.ZUCCA	02DEC2020				
TOLERANCES UNLESS OTHERWISE SPECIFIED:	APVD PETER.OTT	02DEC2020				
	0 PLC ±0.2	PRODUCT SPEC		NAME		
1 PLC ±0.1	108-133122		MOISTURE BLOCKING PLUG, NECTOR T			
2 PLC ±-	APPLICATION SPEC		SIZE	CAGE CODE	DRAWING NO	RESTRICTED TO
3 PLC ±-	114-133122		A 4	00779	C=2361045	-
4 PLC ±-	WEIGHT		CUSTOMER DRAWING			
ANGLES ±-			SCALE	3:1	SHEET	1 OF 1
			REV			
			A			