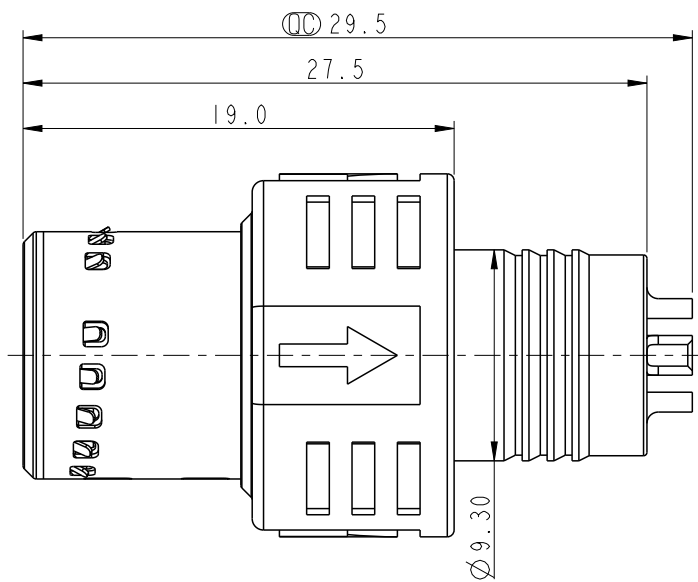
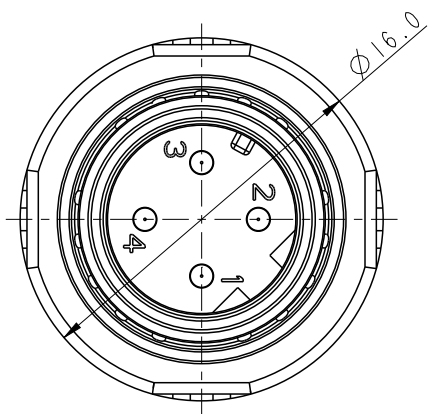


THIS DOCUMENT IS SUBJECT TO CHANGE WITHOUT NOTICE. IT IS CONFIDENTIAL AND A PROPERTY OF AMPHENOL LTW. DISCLOSURE TO THIRD PARTY HAS TO BE AUTHORIZED BY AMPHENOL LTW.

REV.	ECN NO.	DATE	SIGN	DESCRIPTION
A		2021-05-19	Sam Ho	Rev.01 to A, Initial Released



Note:
 * RoHS Compliant
 * CC Important Dimension
 * Connector
 Housing: Thermoplastic, Black
 Pin: Copper Alloy, Gold plated
 Shield: Metal
 Slider: Thermoplastic, Black

UNIT: mm			TITLE ACC, SEN, D Code, SOLDER M12 D
TOLERANCE .X ±0.25 .XX ±0.1 .XXX ±0.05 ANGLES ±1°	SCALE 3:1	SIZE A4	SHEET 1 OF 1
REV. A	WC-REV.	CC : Inspection item	

Amphenol LTW
 安費諾亮泰企業股份有限公司

ITEM NO. APPM-A04MAPAN-DS1	DRAWN BY Sam Ho	DATE 2021-05-19
DWG NO. APPM-A04MAPAN-DS1	CHECKED BY Fred Lee	DATE 2021-05-19
CUSTOMER ALTW	APPROVED BY Fred Lee	DATE 2021-05-19