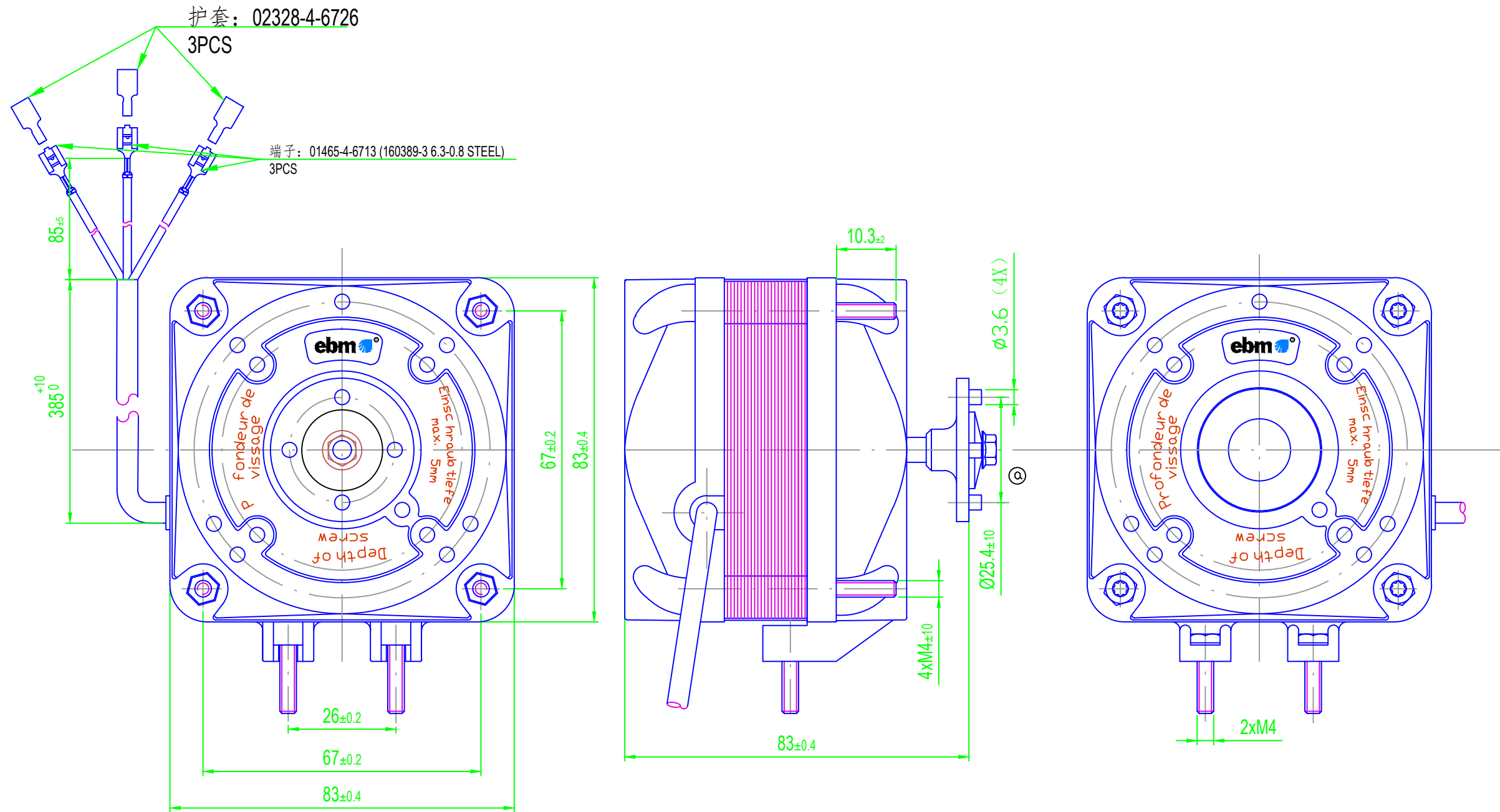


Any unauthorized use of this drawing, copying or passing on to third parties requires the explicit approval of ebm-papst Mulfingen GmbH & Co., KG. Any violations of this shall be prosecuted in Civil and Penal Court!



技术说明:

1. 115V, 50/60Hz, 8W.
2. 通过两只M4x16螺丝安装.

|              |            |  |  |  |                  |            |      |            |      |              |                    |
|--------------|------------|--|--|--|------------------|------------|------|------------|------|--------------|--------------------|
| Tolerances   |            |  |  |  |                  |            |      |            |      |              |                    |
|              |            |  |  |  |                  |            |      |            |      |              | ISO 2768<br>-mK -E |
| Scale        | 1:1        |  |  |  | Assembly drawing |            | Fit  | Deviations |      |              |                    |
| Size         | 8317080092 |  |  |  | Date             | Name       |      |            |      |              |                    |
| Distribution |            |  |  |  | Designed         | 27.09.2020 | Song |            |      |              |                    |
|              |            |  |  |  | Checked          |            | Mary |            |      |              |                    |
|              |            |  |  |  | CAD:             | 8317080092 | Ind. | KM-Nr.     | Date | Name         |                    |
|              |            |  |  |  |                  |            |      |            |      | Sheet 1 of 1 |                    |

Paper size: A3