

DESIGNED AND DIMENSIONED IN MILLIMETERS [INCHES]  
 ALL DIMENSIONS REFERENCE EXCEPT AS SHOWN

UMPS-XX-XX.X-XX-V-X-X-XX

NO. OF POSITIONS  
 -02, -03, -04, -05,  
 -06, -07, -08, -09, -10

TAPE & REEL (SEE NOTE 2)  
 -TR: TAPE & REEL  
 -FR: FULL REEL QTY TAPE & REEL

LEAD STYLE  
 -03.5: 3.5 mm  
 -05.5: 5.5 mm  
 -07.5: 7.5 mm

PLATING  
 -T: MATTE TIN  
 -G: 10μ" SELECTIVE GOLD IN CONTACT AREA, 3μ" GOLD ON TAIL  
 -L: 10μ" SELECTIVE GOLD IN CONTACT AREA, MATTE TIN ON TAIL  
 -S: 30μ" SELECTIVE GOLD IN CONTACT AREA, MATTE TIN ON TAIL  
 -SL: 30μ" SELECTIVE GOLD ON CONTACT AREA, TIN LEAD ON TAIL

WELD TAB OPTIONS  
 (LEAVE BLANK FOR NO WELD TAB)  
 \*\* -W: WELD TAB THROUGH HOLE

TAIL  
 \*\* -S: SURFACE MOUNT  
 \* -1: THROUGH HOLE FOR 1.57 [.062]PCB  
 \* -2: THROUGH HOLE FOR 2.36 [.093]PCB

ORIENTATION  
 \*\* -V: VERTICAL

\* = NOT TOOLED  
 \*\* = SEE NOTE 7

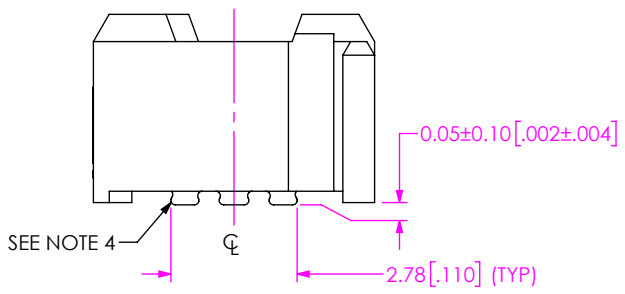
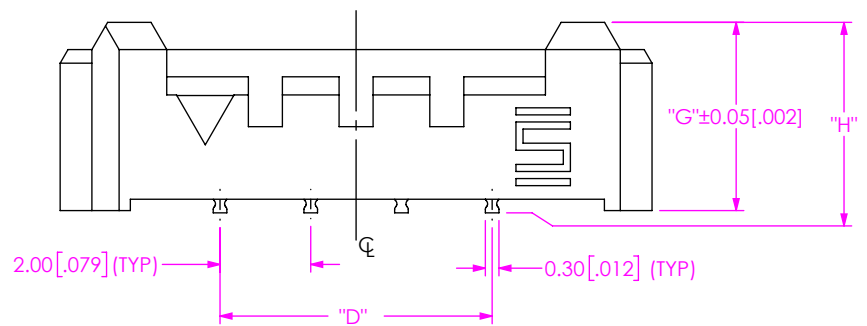
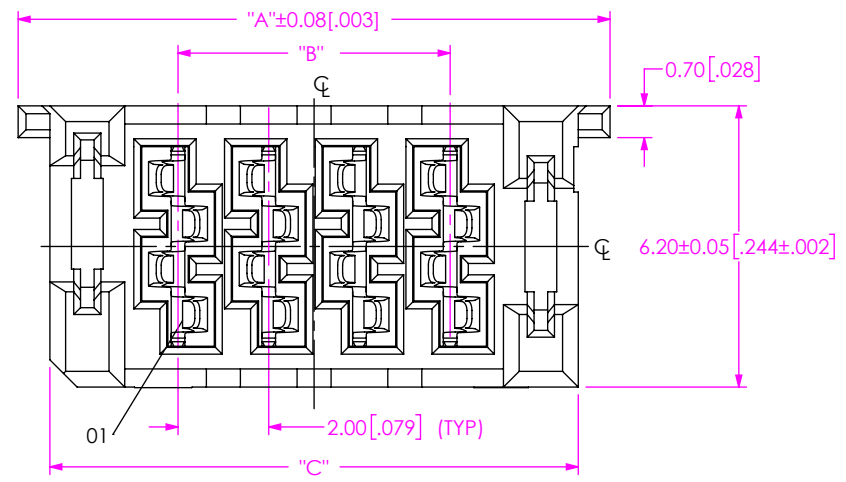
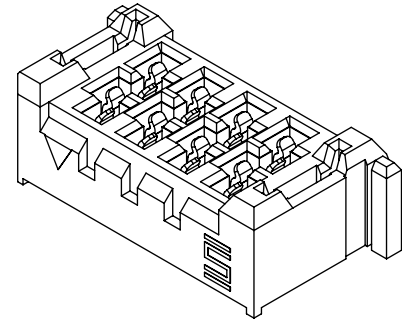


FIG 1  
 UMPS-04-03.5-X-V-S SHOWN

No OF POSITION	"A"	"B"	"C"	"D"	"E"
-02	9.05 [.356]	2.00 [.079]	7.65 [.301]	2.00 [.079]	6.00 [.236]
-03	11.05 [.435]	4.00 [.157]	9.65 [.380]	4.00 [.157]	8.00 [.315]
-04	13.05 [.514]	6.00 [.236]	11.65 [.459]	6.00 [.236]	10.00 [.394]
-05	15.05 [.593]	8.00 [.315]	13.65 [.537]	8.00 [.315]	12.00 [.472]
-06	17.05 [.671]	10.00 [.394]	15.65 [.616]	10.00 [.394]	14.00 [.551]
-07	19.05 [.750]	12.00 [.472]	17.65 [.695]	12.00 [.472]	16.00 [.630]
-08	21.05 [.829]	14.00 [.551]	19.65 [.774]	14.00 [.551]	18.00 [.709]
-09	23.05 [.907]	16.00 [.630]	21.65 [.852]	16.00 [.630]	20.00 [.787]
-10	25.05 [.986]	18.00 [.709]	23.65 [.931]	18.00 [.709]	22.00 [.866]

UMPT LEAD STYLE	UMPS LEAD STYLE		
	-03.5	-05.5	-07.5
-01.5	5.00 [.197]	7.00 [.276]	9.00 [.354]
-02.5	6.00 [.236]	8.00 [.315]	10.00 [.394]
-06.5	10.00 [.394]	12.00 [.472]	14.00 [.551]
-07.5	11.00 [.433]	13.00 [.512]	15.00 [.591]
-12.5	16.00 [.630]	18.00 [.709]	20.00 [.787]

LEAD STYLE	"G"	"H"	"J"
-03.5	4.15 [.163]	4.20 [.165]	3.68 [.145]
-05.5	6.15 [.242]	6.20 [.244]	5.68 [.224]
-07.5	8.15 [.321]	8.20 [.323]	7.68 [.302]

- NOTES:
- NOTE DELETED.
  - TAPE AND REEL IS STANDARD PACKAGING.
  - NOTE DELETED.
  - HOLES IN THE SURFACE MOUNT TAILS MAY OR MAY NOT BE PRESENT, AT SAMTEC DISCRETION.
  - ORDERS WILL BE PACKAGED ACCORDING TO THE SAMTEC PACKAGING EFFICIENCY STANDARDS (SPES) FOUND ON WWW.SAMTEC.COM.
  - ATTACH LABEL TO EACH REEL.
  - PREVIOUS OPTIONS -VT, -SM, &-WT AVAILABLE FOR EXISTING CUSTOMERS ONLY.
  - K DOT SUPPLIED AS STANDARD, -K PART NUMBER OPTION AVAILABLE TO EXISTING CUSTOMERS ONLY

<p>PROPRIETARY NOTE</p> <p>THIS DOCUMENT CONTAINS CONFIDENTIAL AND PROPRIETARY INFORMATION AND ALL DESIGN, MANUFACTURING, REPRODUCTION, USE, PATENT RIGHTS AND SALES RIGHTS ARE EXPRESSLY RESERVED BY SAMTEC, INC. THIS DOCUMENT SHALL NOT BE DISCLOSED, IN WHOLE OR PART, TO ANY UNAUTHORIZED PERSON OR ENTITY NOR REPRODUCED, TRANSFERRED OR INCORPORATED IN ANY OTHER PROJECT IN ANY MANNER WITHOUT THE EXPRESS WRITTEN CONSENT OF SAMTEC, INC.</p>	 <p>520 PARK EAST BLVD, NEW ALBANY, IN 47150                  PHONE: 812-944-6733 FAX: 812-948-5047                  e-Mail: info@SAMTEC.com code 55322</p>		
	<p>DO NOT SCALE DRAWING SHEET SCALE: 6:1</p> <p>MATERIAL:                  INSULATOR: LCP                  CONTACT: COPPER ALLOY                  WELD TAB: COPPER ALLOY</p>	<p>DESCRIPTION:                  ULTRA MICRO POWER SOCKET</p> <p>DWG. NO.                  UMPS-XX-XX.X-XX-V-X-X-XX</p>	
<p>BY: JOE Z</p>		<p>03/22/2017</p>	<p>SHEET 1 OF 2</p>

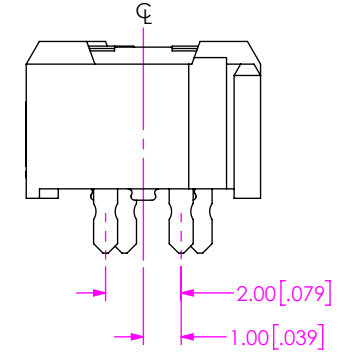
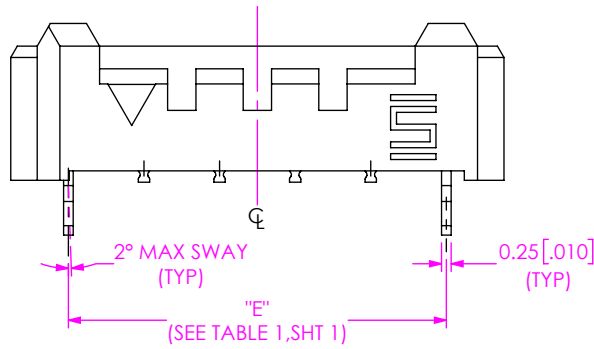
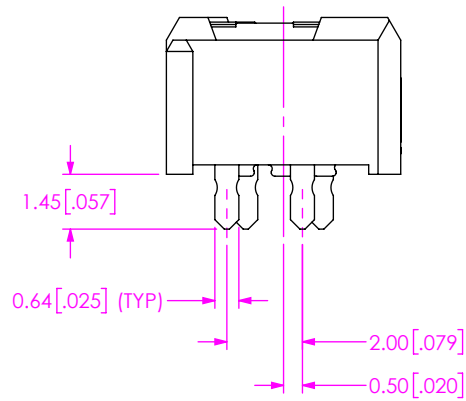
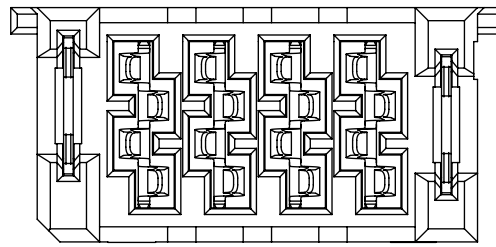


FIG 2  
UMPS-04-03.5-X-V-S-W SHOWN  
(DIFFERENT AS SHOWN, OTHERWISE SAME AS FIG 1)

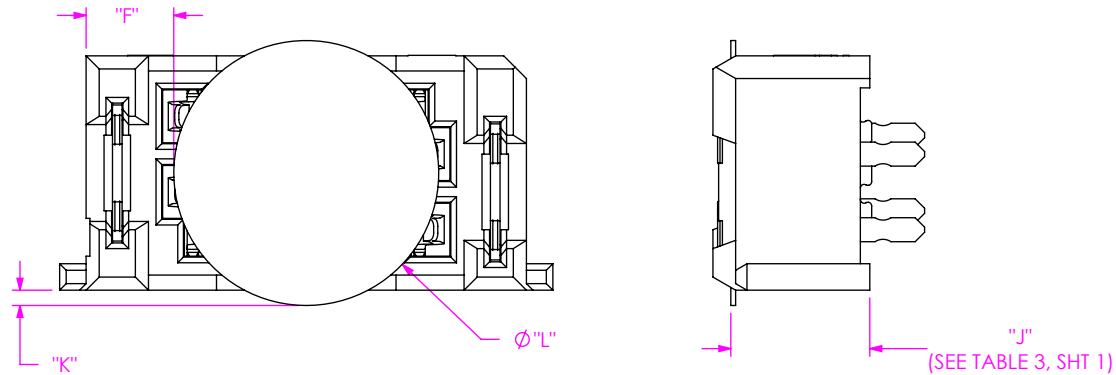


FIG 3  
UMPS-04-03.5-X-V-S-W SHOWN  
(DIFFERENT AS SHOWN, OTHERWISE SAME AS FIG 2)

TABLE 4

No OF POSITION	"F"	"K"	"L"
-02	1.58 [.062]	0.85 [.034]	4.50 [.177]
-03	1.57 [.062]	0.15 [.006]	6.50 [.256]
-04	2.32 [.091]	0.41 [.016]	7.01 [.276]
-05	3.32 [.131]	0.41 [.016]	7.01 [.276]
-06	4.32 [.170]	0.41 [.016]	7.01 [.276]
-07	5.32 [.209]	0.41 [.016]	7.01 [.276]
-08	6.32 [.249]	0.41 [.016]	7.01 [.276]
-09	7.32 [.288]	0.41 [.016]	7.01 [.276]
-10	8.32 [.328]	0.41 [.016]	7.01 [.276]

**PROPRIETARY NOTE**  
THIS DOCUMENT CONTAINS CONFIDENTIAL AND PROPRIETARY INFORMATION AND ALL DESIGN, MANUFACTURING, REPRODUCTION, USE, PATENT RIGHTS AND SALES RIGHTS ARE EXPRESSLY RESERVED BY SAMTEC, INC. THIS DOCUMENT SHALL NOT BE DISCLOSED, IN WHOLE OR PART, TO ANY UNAUTHORIZED PERSON OR ENTITY NOR REPRODUCED, TRANSFERRED OR INCORPORATED IN ANY OTHER PROJECT IN ANY MANNER WITHOUT THE EXPRESS WRITTEN CONSENT OF SAMTEC, INC.



520 PARK EAST BLVD, NEW ALBANY, IN 47150  
PHONE: 812-944-6733 FAX: 812-948-5047  
e-Mail: info@SAMTEC.com code 55322

DO NOT SCALE DRAWING

SHEET SCALE: 2:1

DESCRIPTION:  
ULTRA MICRO POWER SOCKET

DWG. NO.  
UMPS-XX-XX.X-XX-V-X-X-XX

BY: JOE Z 03/22/2017 SHEET 2 OF 2