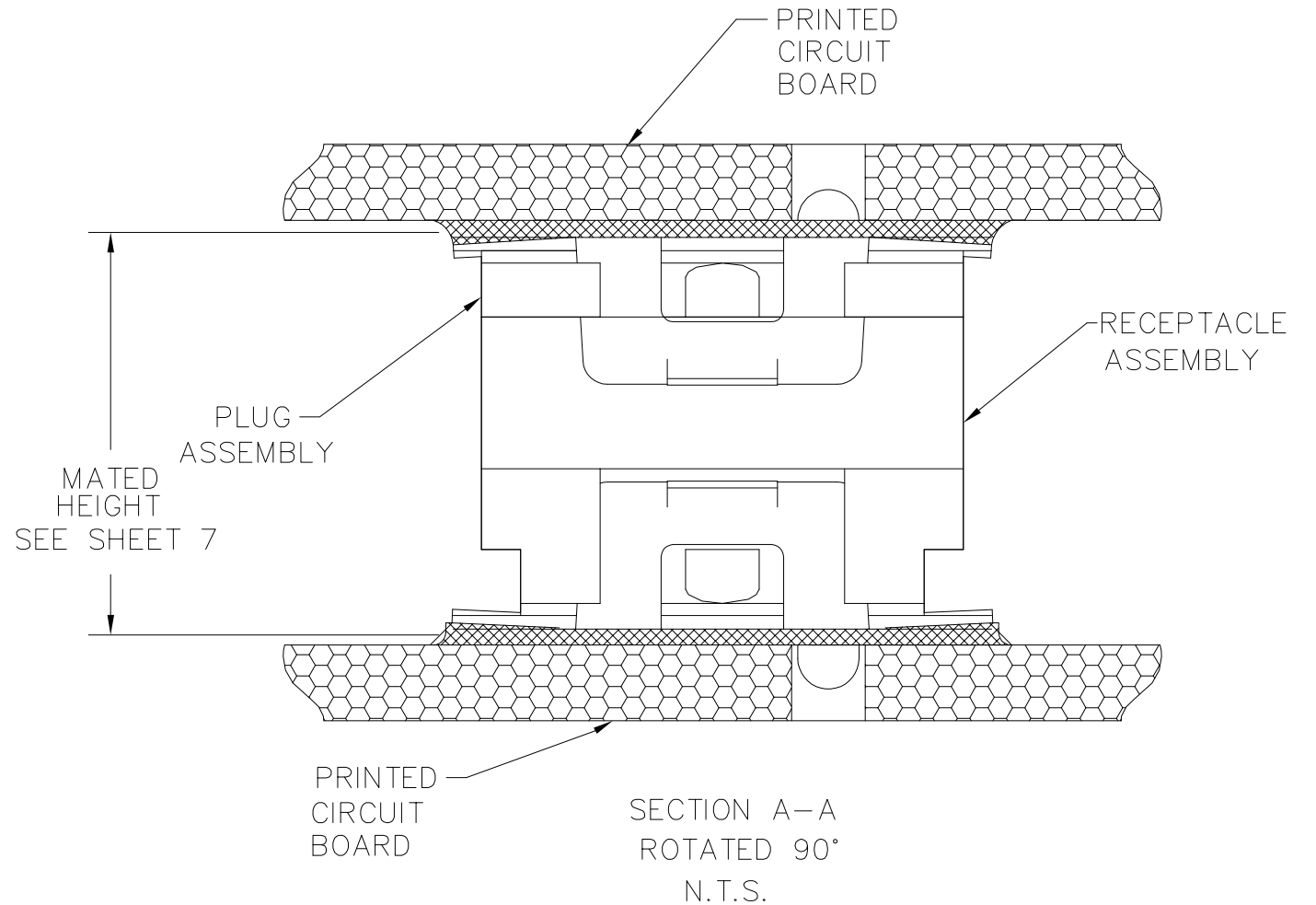
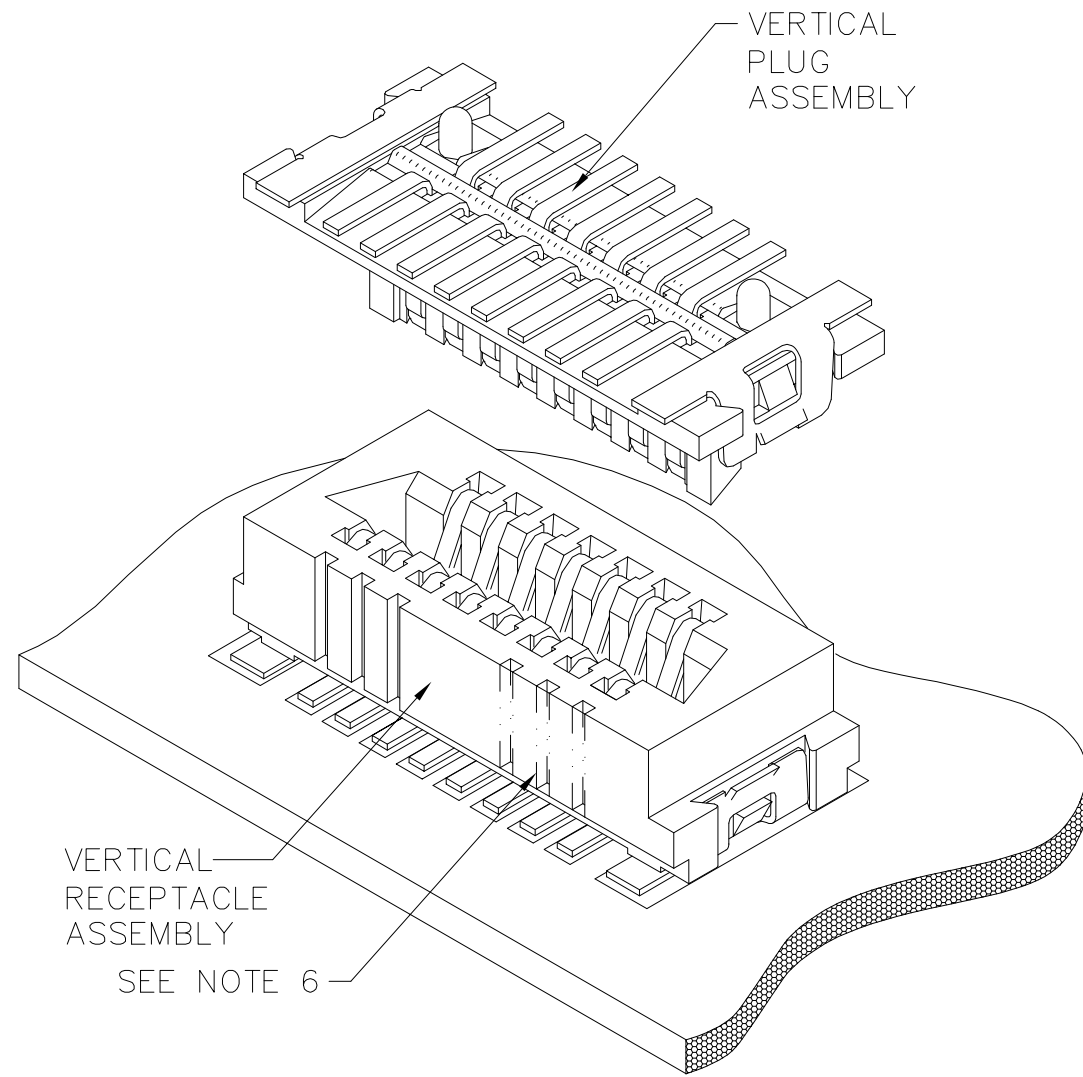


PRODUCT NUMBER
SEE TABLE



NOTES:

- MATERIALS:
HOUSING – LCP, UL-94V-0. COLOR: NATURAL.
TERMINALS – COPPER ALLOY,
PLATED WITH GOLD OR GXT IN CONTACT AREA
AND 100u"/2.54u Sn ON SOLDER LEGS WITH
AN OVERALL 50u"/1.27u Ni UNDERPLATE.
RETENTION DEVICE – BRASS,
PLATED WITH 100u"/2.54u Sn OVER NICKEL.
- REFERENCE GS-12-0977 FOR PRODUCT PERFORMANCE
AND ENVIRONMENTAL RESISTANCE DATA.
- SEE TA-774 FOR FURTHER DESCRIPTION OF
HOW THIS DIMENSION IS APPLIED.
- RECOMMENDED SOLDER PASTE THICKNESS IS
.006 TO .008 INCHES THICK.
- THE TOE HEIGHT OF THE SOLDER TAIL SHALL BE
MEASURED FROM THE LOWEST POINT OF THE .004
CO-PLANARITY GRAVITY PLANE. THIS MEASUREMENT
IS NOT TO EXCEED A WINDOW OF .000 TO .007 INCHES.
- THREE SLOTS MAY BE LOCATED AT EITHER END OF
HOUSING.

- THE HOUSING WILL WITHSTAND EXPOSURE TO 260°C PEAK TEMPERATURE
FOR 30 SECONDS IN A CONVECTION INFRA RED OR VAPOR PHASE
REFLOW OVEN. SEE APPLICATION/PROCEDURES IF THEY ARE AVAILABLE
- PRODUCT WITH "LF" AT THE END MEETS EUROPEAN UNION DIRECTIVES AND OTHER
COUNTRY REGULATION AS DESCRIBED IN GS-47-0004.

EXAMPLE: 10162581-3131125LF
IS A CONAN® RECEPTACLE ASSEMBLY,
HAVING PEGS AND WITH A PICK AND PLACE CAP.
IT IS .13 [3.2] HIGH AND 25 POSITIONS AND IS
PACKAGED IN PRESSURE SEALED TAPE, REEL AND LEAD FREE.

| | | | | | | | | | |
|-------------|--|-------------|--|------------------|--|------------|--|--------------------------|--|
| mat'l. code | | surface | | tolerance | | projection | | product family | |
| Bob | | ISO 1302 ✓ | | ISO 406 ISO 1101 | | 1101 | | CONAN HPL548 | |
| ltr | | ecn no | | dr | | date | | title | |
| A | | Bob | | 2021-03-22 | | 2021-03-22 | | ASSEMBLY | |
| B | | ELX-N-41224 | | Bob | | 2021-06-16 | | CONAN RECEPTACLE | |
| | | | | | | | | dwg no | |
| | | | | | | | | 10162581 | |
| | | | | | | | | sheet 1 of 4 | |
| | | | | | | | | size | |
| | | | | | | | | A3 | |
| | | | | | | | | type | |
| | | | | | | | | Product Customer Drawing | |
| sheet index | | revision | | A | | B | | | |
| | | | | 1~4 | | 1~4 | | | |

PRODUCT NUMBER
SEE TABLE

CONAN[®] ASSEMBLY PART NUMBER

10162581 - T C W X Y ZZ LF

LEAD FREE
SEE NOTE 8

| | |
|-----------|---|
| TYPE | T |
| WI/O PEGS | 2 |
| WITH PEGS | 3 |

| | |
|----------------------------|---|
| PICK AND PLACE CAP OR TAPE | C |
| WITH CAP | 1 |

| | |
|-----------------------------|---|
| PACKAGING | W |
| PRESSURE SEALED TAPE & REEL | 3 |

| Y | RECEPTACLE HEIGHT | PLUG HEIGHT | MATED HEIGHT |
|-----------------------------|-------------------|-----------------|--------------|
| 1 | .129 [3.28] | 1 .034 [.86] | .163 [4.15] |
| SEE Y=1 FOR ALL RECEPTACLES | | 2 .048 [1.23] | .177 [4.50] |
| | | 3 .068 [1.73] | .197 [5.00] |
| | | 4 .107 [2.72] | .236 [6.00] |
| | | 5 .1465 [3.721] | .276 [7.00] |

| ZZ | NUMBER OF POSITIONS |
|----|---------------------|
| 09 | 9 |
| 11 | 11 |
| 15 | 15 |
| 21 | 21 |
| 25 | 25 |
| 31 | 31 |
| 41 | 41 |
| 51 | 51 |
| 69 | 69 |

| | |
|---|------------|
| X | PLATING |
| 4 | GOLD FLASH |

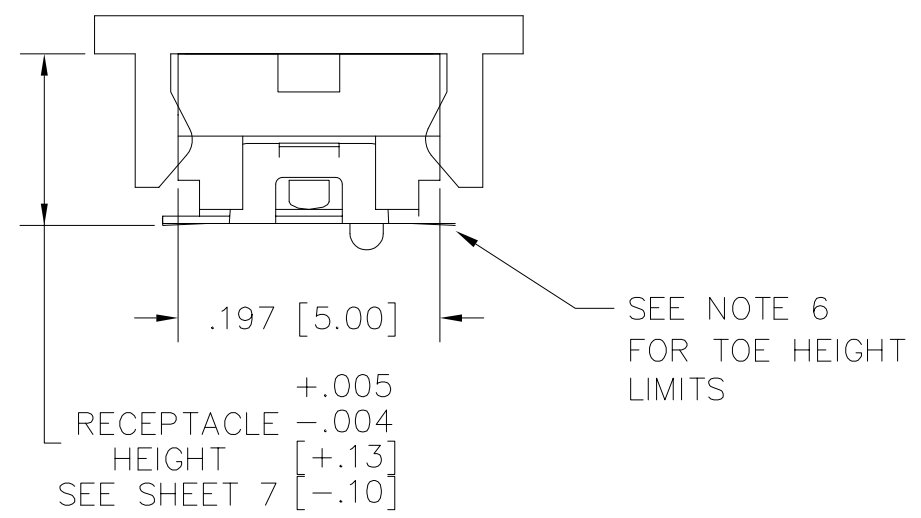
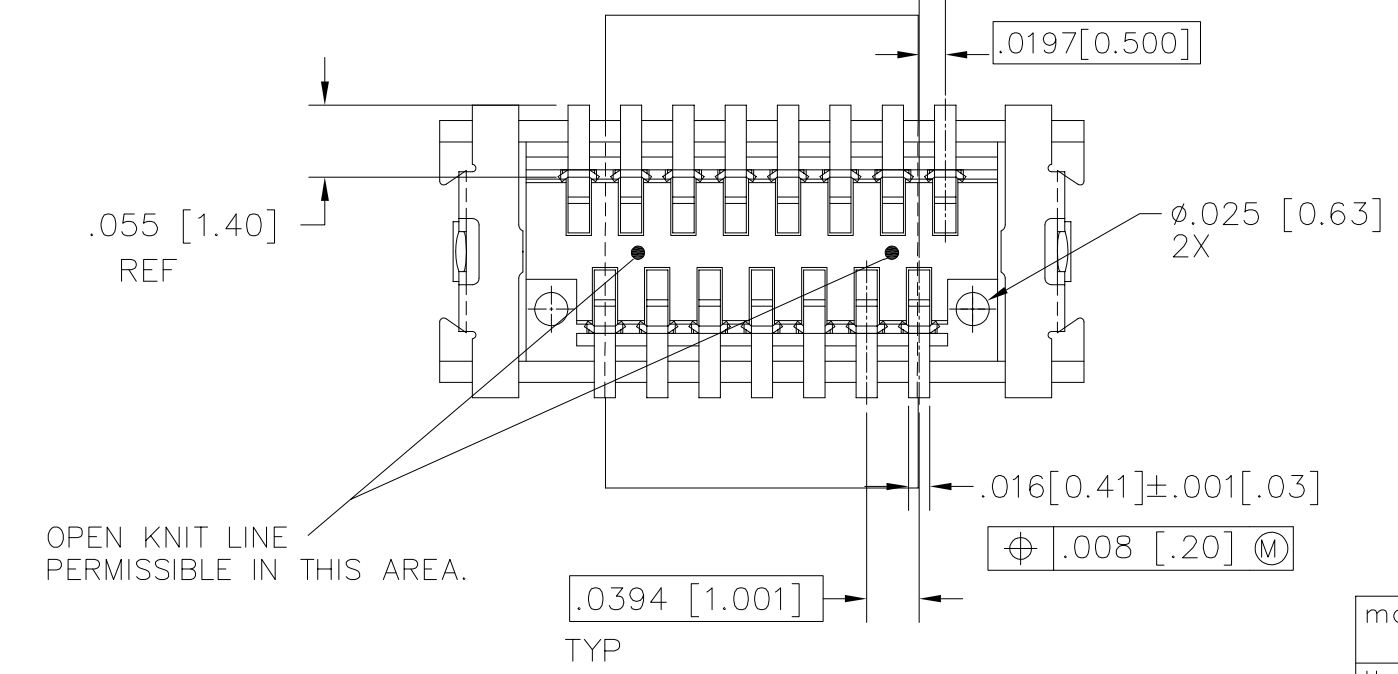
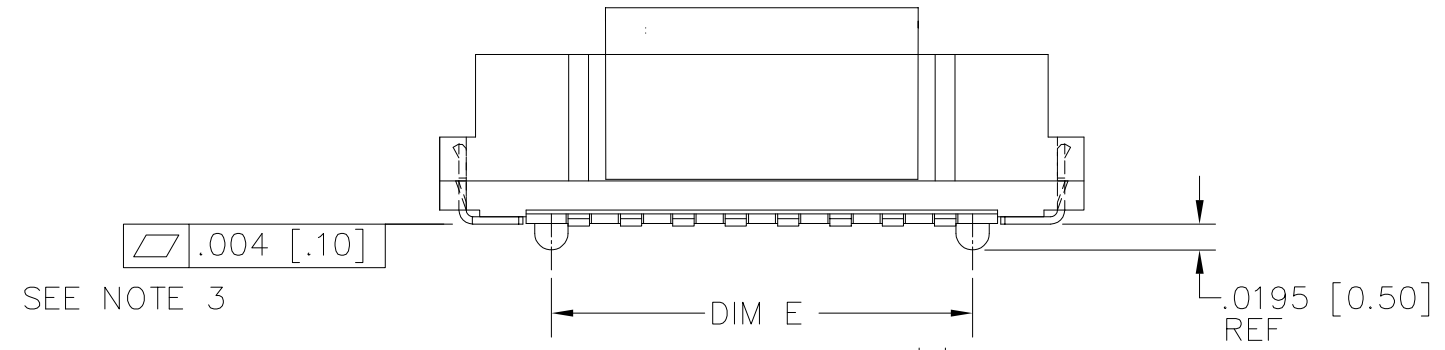
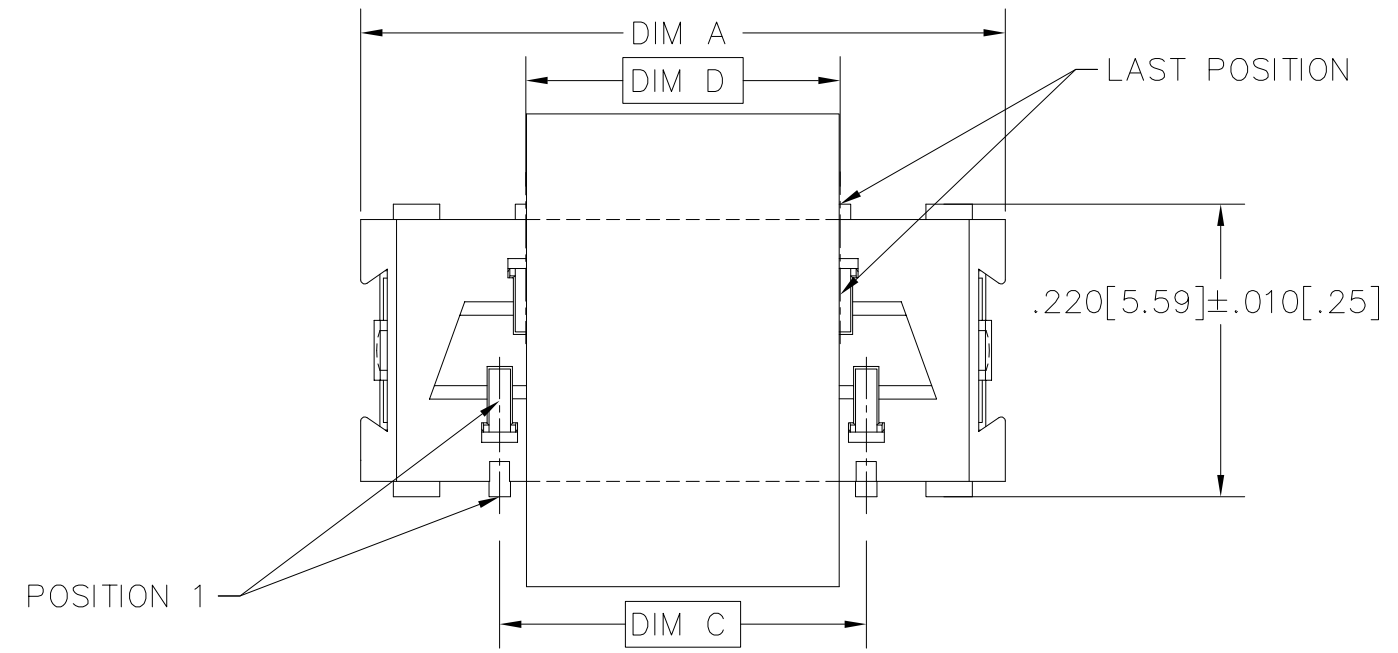
| PRODUCT NUMBER | POS | DIM "A" | DIM "C" | DIM "D" | DIM "E" |
|--------------------|-----|---------------|---------------|---------------|-----------------|
| 10162582-TCWXY09LF | 9 | .366 [9.30] | .157 [4.00] | .118 [3.00] | .1990 [5.055] |
| -TCWXY11LF | 11 | .406 [10.30] | .197 [5.00] | .157 [4.00] | .2380 [6.045] |
| -TCWXY15LF | 15 | .484 [12.30] | .276 [7.00] | .236 [6.00] | .3170 [8.052] |
| -TCWXY21LF | 21 | .602 [15.30] | .394 [10.00] | .354 [9.00] | .4350 [11.049] |
| -TCWXY25LF | 25 | .681 [17.30] | .472 [12.00] | .433 [11.00] | .5140 [13.056] |
| -TCWXY31LF | 31 | .800 [20.30] | .591 [15.00] | .551 [14.00] | .6320 [16.053] |
| -TCWXY41LF | 41 | .996 [25.30] | .787 [20.00] | .748 [19.00] | .8290 [21.057] |
| -TCWXY51LF | 51 | 1.193 [30.30] | .984 [25.00] | .945 [24.00] | 1.0260 [26.060] |
| -TCWXY69LF | 69 | 1.547 [39.30] | 1.339 [34.00] | 1.299 [33.00] | 1.3800 [35.052] |

| | | | | | | | | | |
|-------------|----------|------------|------|---------------------------------------|---------|--------------------------|-----------------|------------------------------|--|
| mat'l. code | | surface | | tolerance | | projection | | product family | |
| Bob | | ISO 1302 ✓ | | ISO 406 ISO 1101 | | 1101 | | CONAN HPL548 | |
| ltr | ecn no | dr | date | tolerances unless otherwise specified | | mm | | title | |
| B | | | | angles | linear | mm | | ASSEMBLY CONAN RECEPTACLE | |
| | | | | 0°±2° | | scale 1:1 | | dwg no | |
| | | | | | | | | sheet 2 of 4 | |
| | | | | dr | Bob Gu | 2021-03-22 | Amphenol FCI | 10162581 | |
| | | | | enr | Bob Gu | 2021-06-16 | | A3 | |
| | | | | chr | LQ Lei | 2021-06-16 | | | |
| | | | | appd | Tim Yao | 2021-06-16 | | | |
| sheet index | revision | A | B | type | | Product Customer Drawing | | | |
| | sheet | 1~4 | 1~4 | | | | | | |

Amphenol
FCI

© 2016 AFCI

PRODUCT NUMBER
SEE TABLE



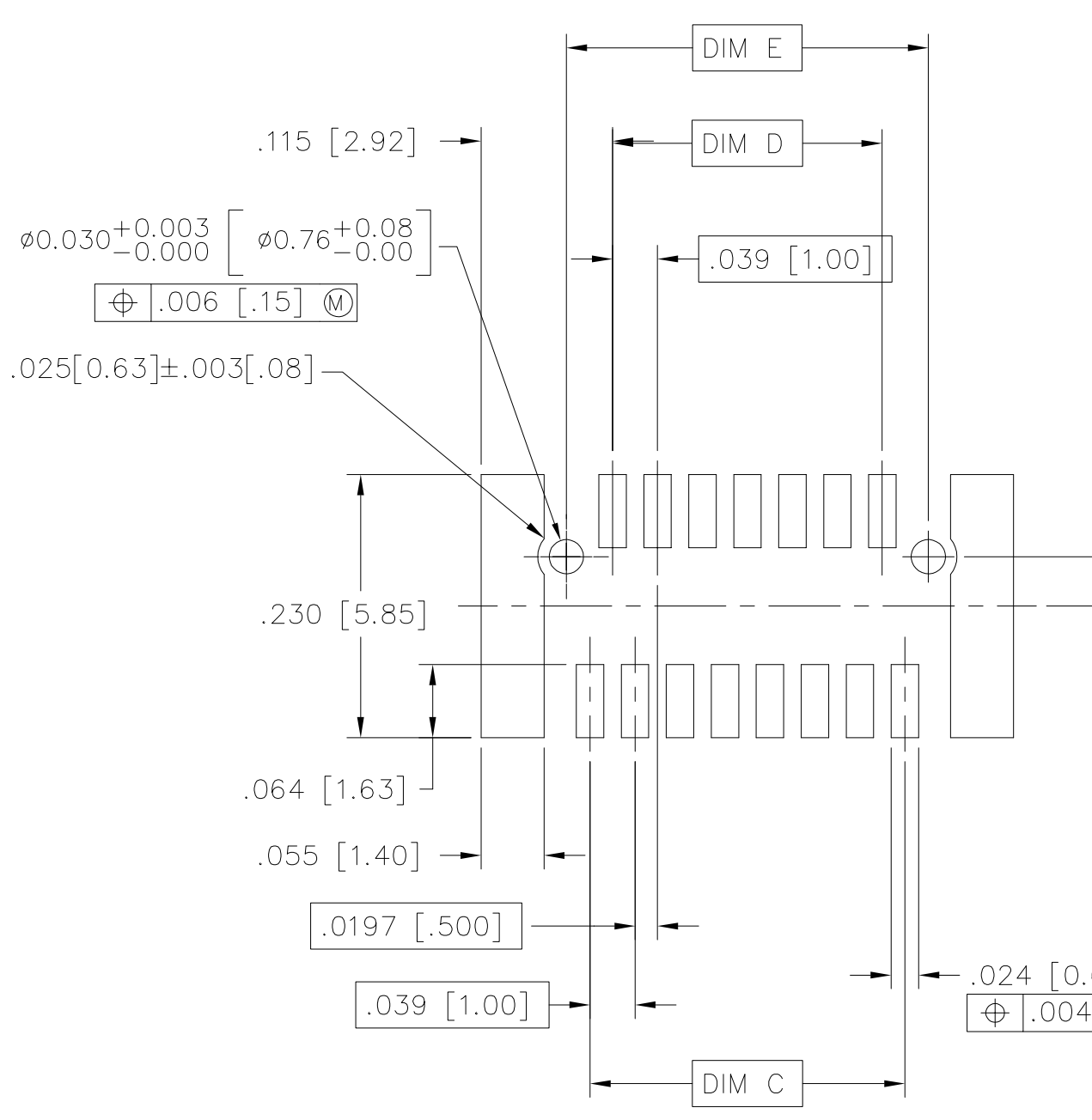
Amphenol FCI

© 2016 AFCI

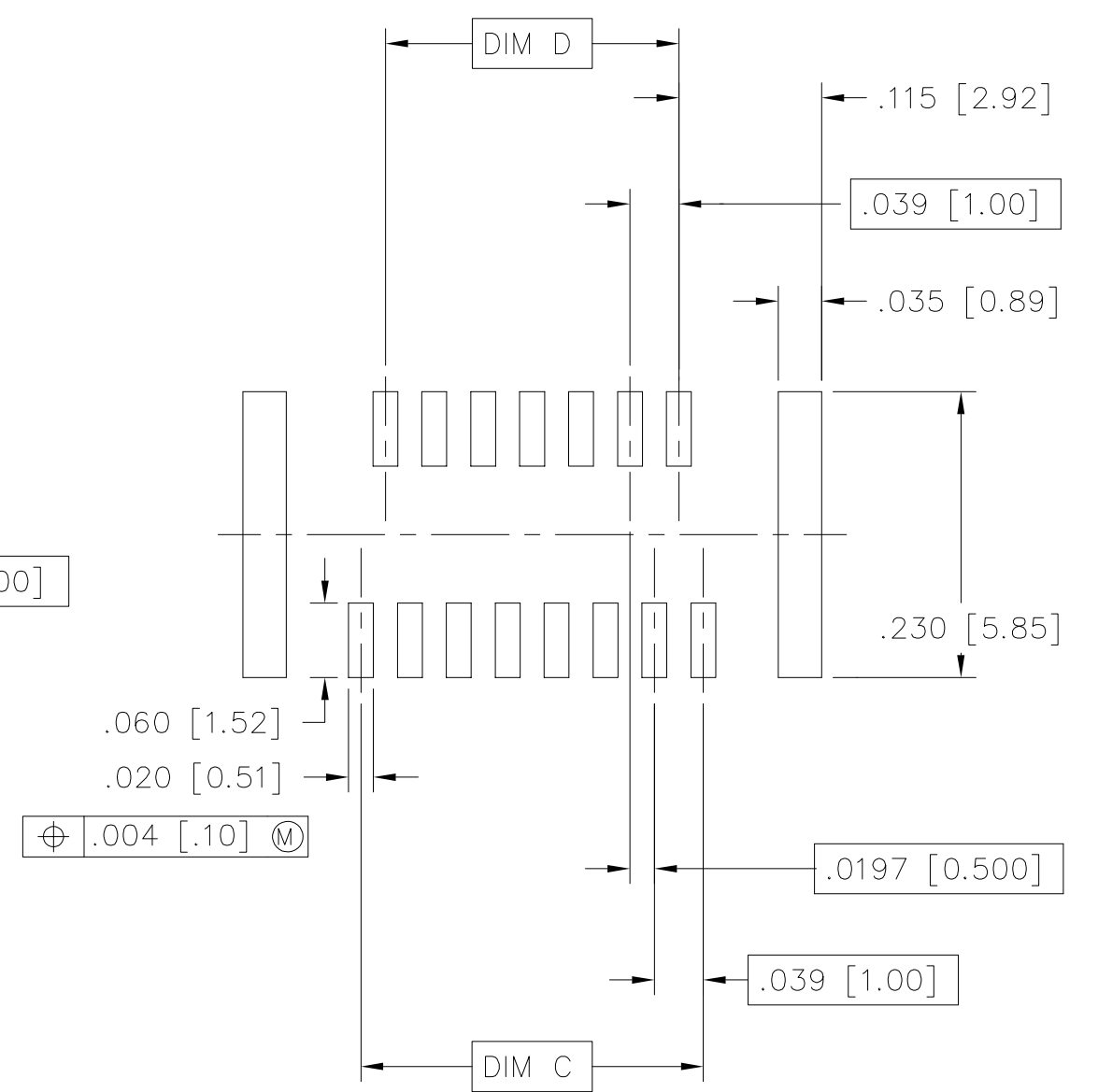
©

| | | | | | |
|--------------------|----------------|-----------------------|-------------------------------|---|--|
| mat'l. code Bob | | surface ISO 1302 ✓ | tolerance ISO 406 ISO 1101 | projection 1101 | product family CONAN HPL548 |
| ltr B | ecn no | dr | date | tolerances unless otherwise specified | title ASSEMBLY CONAN RECEPTACLE |
| | | | | angles linear 0°±2° | mm scale 1:1 |
| | | | | dr engr chr appd | Amphenol FCI |
| | | | | Bob Gu 2021-03-22 Bob Gu 2021-06-16 LQ Lei 2021-06-16 Tim Yao 2021-06-16 | dwg no 10162581 type Product Customer Drawing |
| sheet index | revision sheet | A 1~4 | B 1~4 | | sheet 3 of 4 size A3 |

PRODUCT NUMBER
SEE TABLE



RECOMMENDED
PAD LAYOUT
FOR RECEPTACLE



RECOMMENDED
STENCIL LAYOUT
FOR RECEPTACLE

Amphenol
FCI

© 2016 AFCI

| | | | | | | | | | |
|-------------|--|------------|--|---------------------------------------|--|--------------|--|--------------------------|--|
| mat'l. code | | surface | | tolerance | | projection | | product family | |
| Bob | | ISO 1302 ✓ | | ISO 406 ISO 1101 | | mm | | CONAN HPL548 | |
| Itr | | date | | tolerances unless otherwise specified | | mm | | title | |
| B | | | | .0±.3 | | mm | | ASSEMBLY | |
| | | | | .00±.13 | | mm | | CONAN RECEPTACLE | |
| | | | | .000±.05 | | scale 1:1 | | dwg no | |
| | | dr | | Bob Gu 2021-03-22 | | Amphenol FCI | | sheet 4 of 4 | |
| | | enr | | Bob Gu 2021-06-16 | | | | size | |
| | | chr | | LQ Lei 2021-06-16 | | | | 10162581 | |
| | | appd | | Tim Yao 2021-06-16 | | | | A3 | |
| sheet index | | revision | | A B | | | | type | |
| sheet | | 1~4 1~4 | | | | | | Product Customer Drawing | |