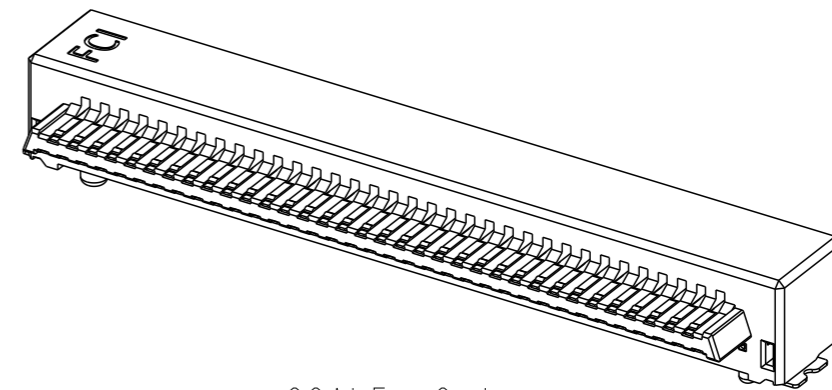
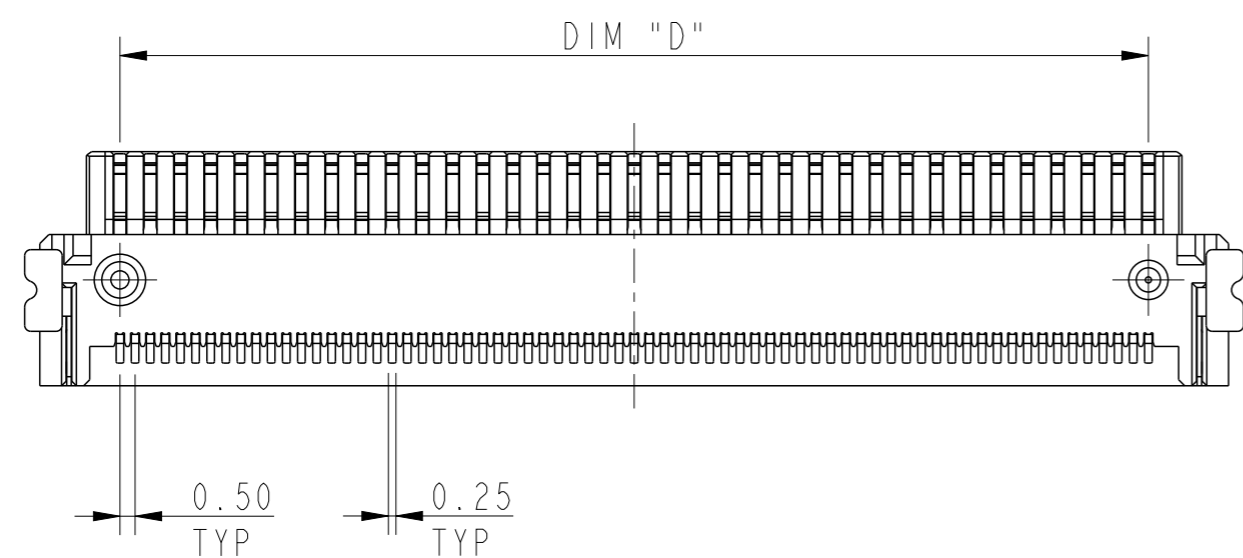
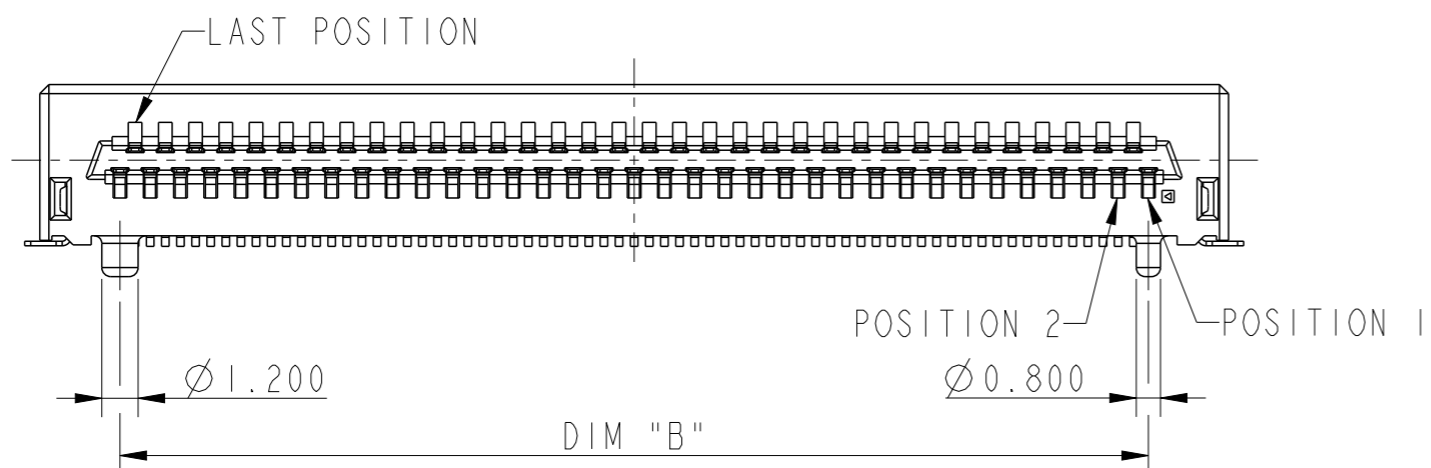
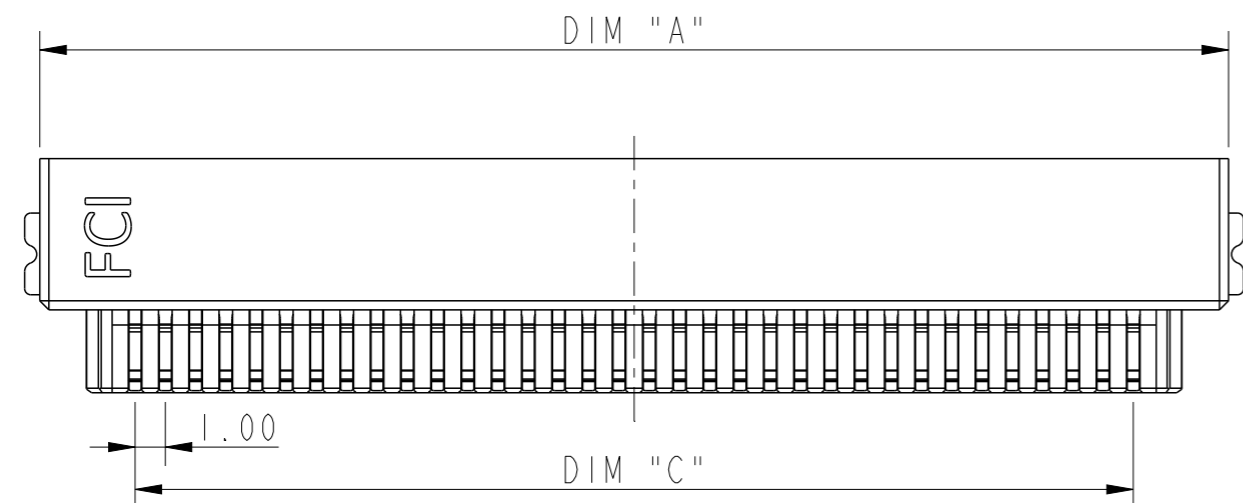
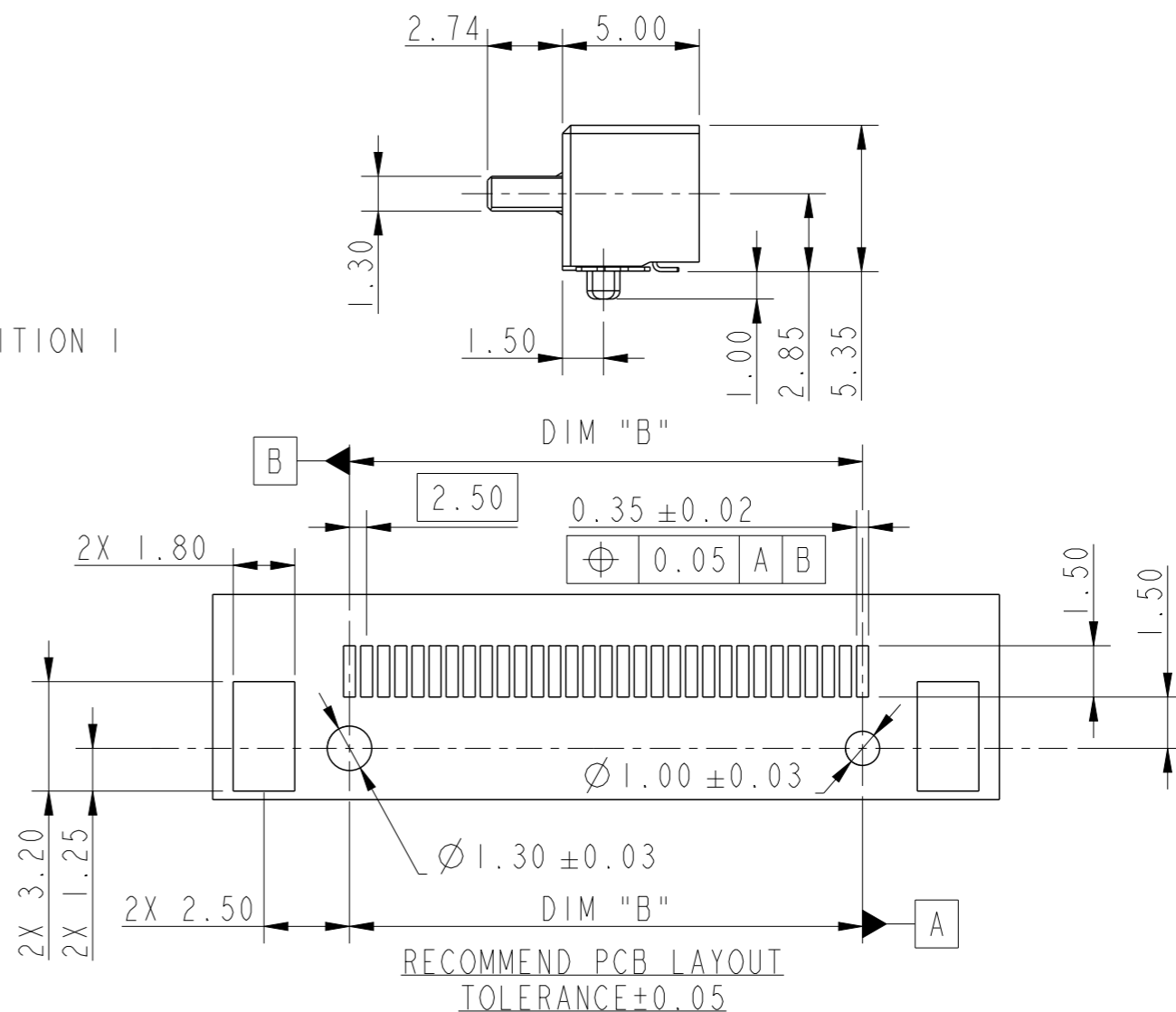


PART NUMBER

10162583-X111XXLF



SCALE 3:1



Amphenol FCI

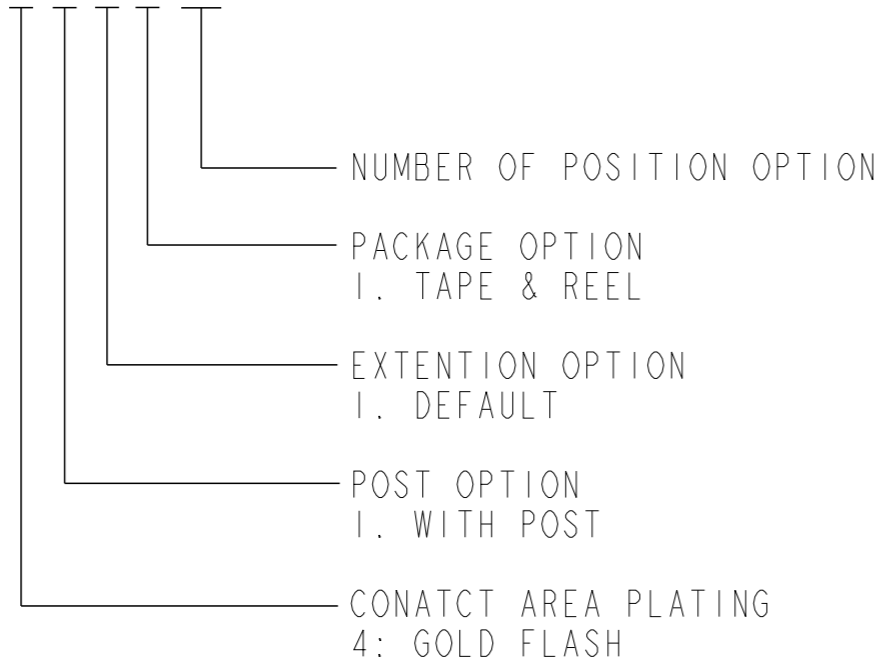
© 2020 Amphenol Corporation

spec ref				dr	Bob Gu	2021/04/19	projection	mm	size	A3	scale	4:1
tolerance std	TOLERANCES UNLESS OTHERWISE SPECIFIED			eng	Bob Gu	2021/04/26			ecn no		-	
surface	linear	0.X	±0.30	chr	-	-			rel level		Released	
		0.XX	±0.20	appr	Tim Yao	2021/04/26	product family		-		-	
		0.XXX	±0.10	Amphenol FCI			title		RIGHT ANGLE CONAN PLUG		rev	
	angular	0°	±2°				cat. no.		-		Product - Customer Drw	
							dwg no		10162583		10162583	

PART NUMBER	PIN QTY.	DIM "A"	DIM "B"	DIM "C"	DIM "D"
10162583-X11111LF	11	10.30	5.00	4.00	5.00
10162583-X11112ILF	21	15.30	10.00	9.00	10.00
10162583-X11113ILF	31	20.30	15.00	14.00	15.00
10162583-X11114ILF	41	25.30	20.00	19.00	20.00
10162583-X11115ILF	51	30.30	25.00	24.00	25.00
10162583-X111169LF	69	39.30	34.00	33.00	34.00

PRODUCT NUMBER DESCRIPTION:

10162583- X X X X XX LF



NOTES:

- MATERIALS:
 - HOUSING - LCP, UL-94V-0. COLOR: NATURAL.
 - TERMINALS - COPPER ALLOY, PLATED WITH GOLD IN CONTACT AREA AND 100u" Sn ON SOLDER LEGS WITH AN OVERALL 50u" Ni UNDERPLATE.
 - RETENTION DEVICE - BRASS, PLATED WITH 100u" Sn OVER NICKEL.
- REFERENCE GS-12-1382 FOR PRODUCT PERFORMANCE DATA.
- RECOMMENDED SOLDER PASTE THICKNESS IS 0.15 TO 0.20 MM THICK.
- THE CO-PLANARITY GRAVITY PLANE. THIS MEASUREMENT IS NOT TO EXCEED 0.1MM.
- THE HOUSING WILL WITHSTAND EXPOSURE TO 260°C PEAK TEMPERATURE FOR 30 SECONDS IN A CONVECTION INFRA RED OR VAPOR PHASE REFLOW OVEN. SEE APPLICATION/PROCEDURES IF THEY ARE AVAILABLE
- PRODUCT WITH "LF" AT THE END MEETS EUROPEAN UNION DIRECTIVES AND OTHER COUNTRY REGULATION AS DESCRIBED IN GS-22-008.

Amphenol FCI

© 2020 Amphenol Corporation

spec ref		dr	Bob Gu	2021/04/19	projection 	mm ←→	size	A3	scale	2:1
tolerance std		eng	Bob Gu	2021/04/26			ecn no	-		
TOLERANCES UNLESS OTHERWISE SPECIFIED		chr	-	-			rel level	Released		
surface	linear	0.X	±0.30	Amphenol FCI	RIGHT ANGLE CONAN PLUG	dwg no	10162583	rev	A	
		0.XX	±0.20							
		0.XXX	±0.10							
	angular	0°	±2°	cat. no.	-	Product - Customer Drw	sheet 2 of 2			