

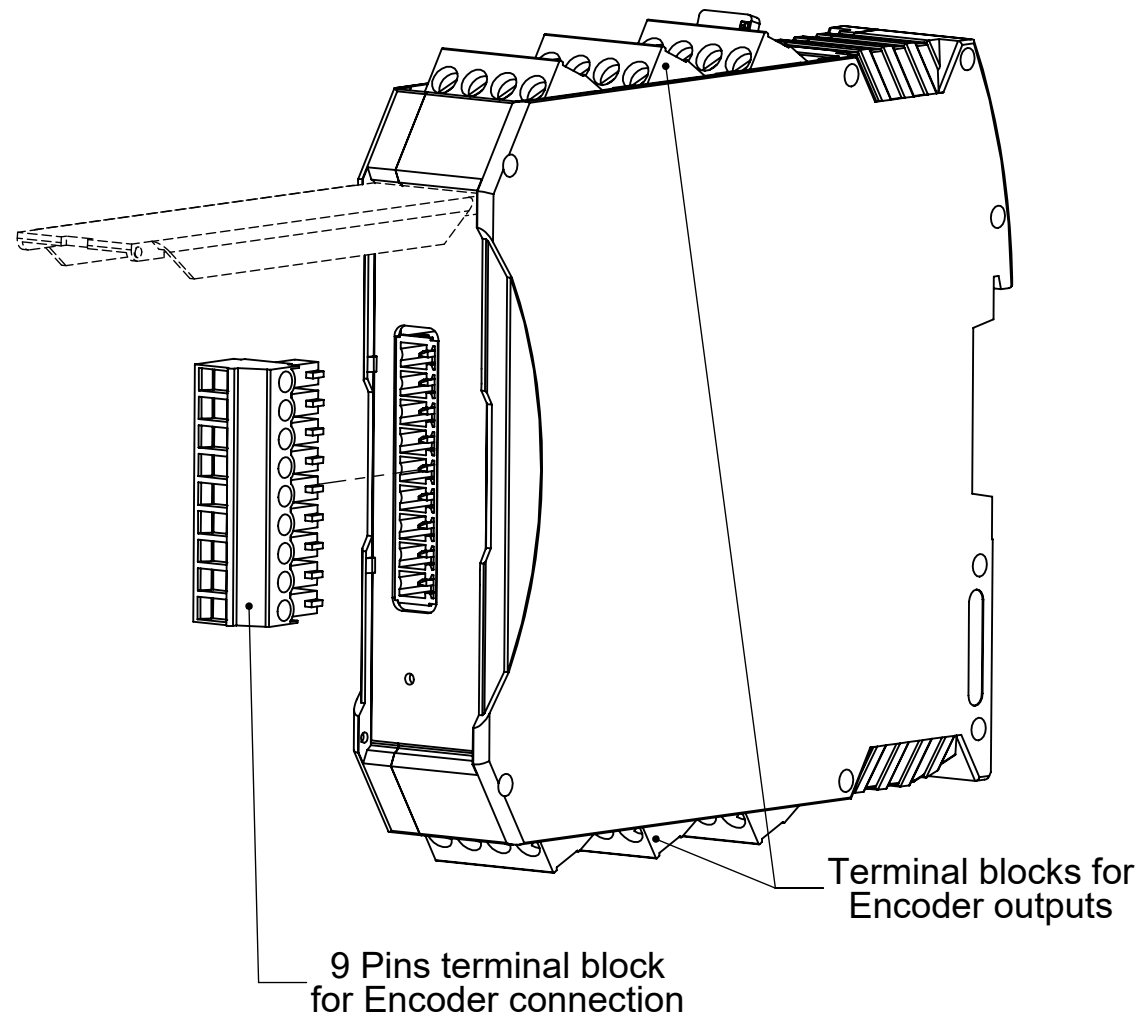
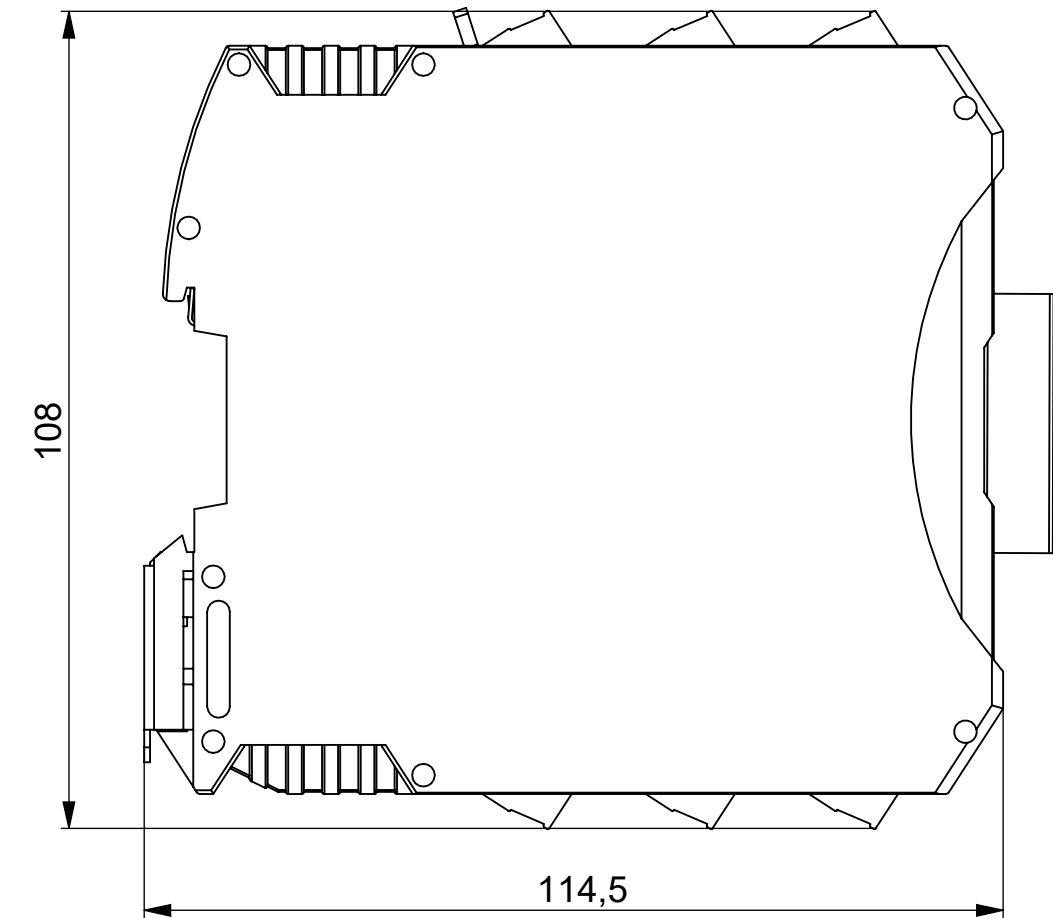
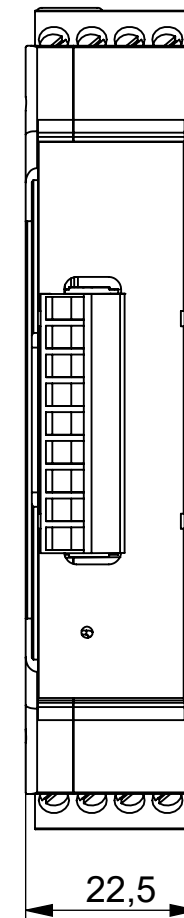
4



3

2

1

P/N	EAR-007	EAR-008
Power supply input $V_{in}$	11 - 30V	
Encoder power supply	$V_{in}$	
Max encoder current	200mA	
Max encoder frequency	300kHz	
Encoder interface	Sine or RS422	HTL
OUT interface	Selectable: RS422 or HTL	
Enclosure rating	IP20	
Operating temperature	-10°C to +55°C	
Storage Temperature	-20°C to +85°C	
Relative Humidity max.	0.95	



UNCONTROLLED COPY		 BEI SENSORS SAS Espace Européen de l'Entreprise 9, rue de Copenhague BP 70044 - F 67013 STRASBOURG Cedex Tel : +33 (0)3 88 20 81 40	
FIRST ISSUE DATE : 27/04/2021	SENSATA TECHNOLOGIES PROPRIETARY AND CONFIDENTIAL. NEITHER THIS PRINT NOR THE INFORMATION CONTAINED HEREON IS TO BE USED AGAINST THE INTERESTS OF SENSATA TECHNOLOGIES OR AGAINST THE INTERESTS OF ANY OF ITS AFFILIATED COMPANIES OR WHOLLY OWNED SUBSIDIARIES.	TITLE	
DRAWN : RHM		EAR-007 / EAR-008	
APPROVED : JHH		SIZE A3	DWG NO. M149
DATE : 27/04/2021	UNLESS OTHERWISE SPECIFIED DIMENSIONS ARE IN MILLIMETERS (INCHES) AND ARE INTENDED AS NOMINAL. SEE PRODUCT SPECIFICATION FOR MORE DETAILS.	SCALE 1/1	SOLIDWORKS SHEET 1 OF 1
Housing material : -	DO NOT SCALE DRAWING	EUROPEAN SYSTEM 	
Flange material : -	PROJECT: 1		
Shaft material : -	DEVICE: 2		

4

3

2

1