

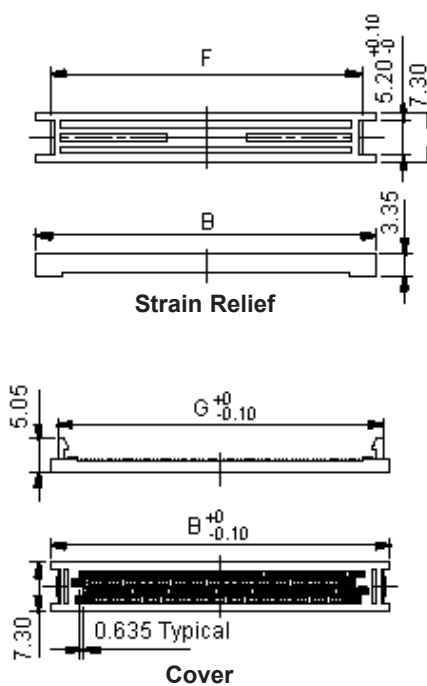
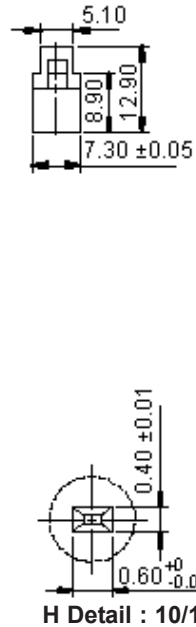
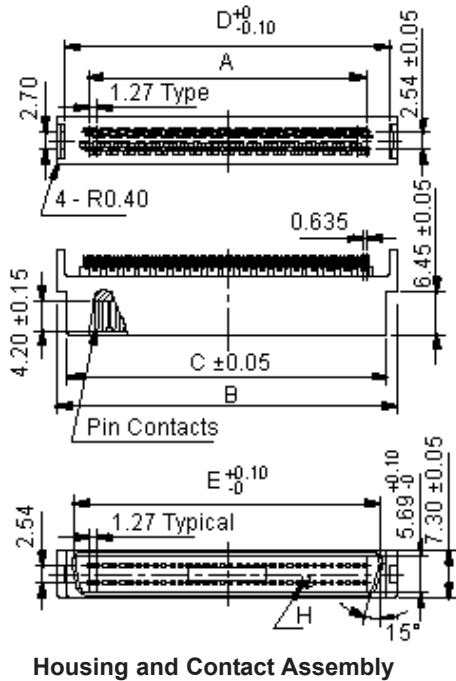


PART NO.

8E068P-32000-AF

REVISIONS

ECN #	REV	DESCRIPTION	DRAWN	DATE	CHECKD	DATE	APPRVD	DATE
-	A	RELEASED	Venkat	28/03/09	Veena	28/03/09	Farnell	13/04/09



Dimensions : Millimetres

Specifications:

Insulator material	: PBT with glass-fibre reinforced.
Contact material	: Phosphor bronze, gold over nickel.
Rated current	: 1A.
Minimum insulation resistance	: 500MΩ at 500V dc.
Maximum contact resistance	: 35mΩ.
Dielectric withstanding voltage	: 250V ac for 1 minute.
Operating temperature	: -55°C to +105°C.

This data sheet and its contents (the "Information") belong to the Premier Farnell Group (the "Group") or are licensed to it. No licence is granted for the use of it other than for information purposes in connection with the products to which it relates. No licence of any intellectual property rights is granted. The Information is subject to change without notice and replaces all data sheets previously supplied. The Information supplied is believed to be accurate but the Group assumes no responsibility for its accuracy or completeness, any error in or omission from it or for any use made of it. Users of this data sheet should check for themselves the Information and the suitability of the products for their purpose and not make any assumptions based on information included or omitted. Liability for loss or damage resulting from any reliance on the Information or use of it (including liability resulting from negligence or where the Group was aware of the possibility of such loss or damage arising) is excluded. This will not operate to limit or restrict the Group's liability for death or personal injury resulting from its negligence. SPC MULTICOMP is the registered trademark of the Group. © Premier Farnell plc 2009.

TOLERANCES:
UNLESS OTHERWISE SPECIFIED, DIMENSIONS ARE FOR REFERENCE PURPOSES ONLY.

DRAWN BY:	DATE:
Venkat	28/03/09
CHECKED BY:	DATE:
Veena	28/03/09
APPROVED BY:	DATE:
Farnell	13/04/09

DRAWING TITLE:			
8E Series 68 Pin - Unshielded Plug Assembly			
SIZE	DWG NO.	ELECTRONIC FILE	REV
A	M10002009	32625_DWG	A
SCALE: NTS		U.O.M.: mm	SHEET: 1 OF 2



PART NO.

8E068P-32000-AF

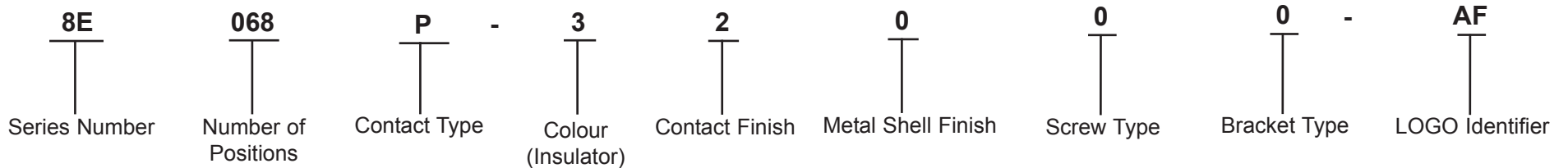
REVISIONS

ECN #	REV	DESCRIPTION	DRAWN	DATE	CHECKD	DATE	APPRVD	DATE
-	A	RELEASED	Venkat	28/03/09	Veena	28/03/09	Farnell	13/04/09

Part Number Table

Description	Part Number
Plug, IDC, SCSI2, Plastic, 68 Way	8E068P-32000-AF

Part Number Explanation:



- Series Number** : 8E = High Density 1.27 (0.050 Inches) Spacing Mini Connector Flat Cable IDC Type 0.635 (0.025 Inches) (For 30AWG Wire or Wire Diameter 0.45 to 0.60mm).
- Number of Positions** : 068 = 68 Positions.
- Contact Type** : P = Plug.
- Colour (Insulator)** : 3 = Black.
- Contact Finish** : 2 = 15µ Inches Selective Gold Over 50µ Inches Nickel.
- Metal Shell Finish** : 0 = All Plastic.
- Screw Type** : 0 = None.
- Bracket Type** : 0 = None.

<http://www.farnell.com>
<http://www.newark.com>
<http://www.cpc.co.uk>

This data sheet and its contents (the "Information") belong to the Premier Farnell Group (the "Group") or are licensed to it. No licence is granted for the use of it other than for information purposes in connection with the products to which it relates. No licence of any intellectual property rights is granted. The Information is subject to change without notice and replaces all data sheets previously supplied. The Information supplied is believed to be accurate but the Group assumes no responsibility for its accuracy or completeness, any error in or omission from it or for any use made of it. Users of this data sheet should check for themselves the Information and the suitability of the products for their purpose and not make any assumptions based on information included or omitted. Liability for loss or damage resulting from any reliance on the Information or use of it (including liability resulting from negligence or where the Group was aware of the possibility of such loss or damage arising) is excluded. This will not operate to limit or restrict the Group's liability for death or personal injury resulting from its negligence. SPC MULTICOMP is the registered trademark of the Group. © Premier Farnell plc 2009.

TOLERANCES: UNLESS OTHERWISE SPECIFIED, DIMENSIONS ARE FOR REFERENCE PURPOSES ONLY.	DRAWN BY:	DATE:	DRAWING TITLE: 8E Series 68 Pin - Unshielded Plug Assembly			
	Venkat	28/03/09				
	CHECKED BY:	DATE:	SIZE A	DWG NO. M10002009	ELECTRONIC FILE 32625_DWG	REV A
	Veena	28/03/09				
	APPROVED BY:	DATE:	SCALE: NTS		U.O.M.: mm	
Farnell	13/04/09					